

AV RECEIVER/AV AMPLIFIER RX-V459/HTR-5940/DSP-AX459 HTR-5935 SERVICE MANUAL

IMPORTANT NOTICE

This manual has been provided for the use of authorized YAMAHA Retailers and their service personnel.

It has been assumed that basic service procedures inherent to the industry, and more specifically YAMAHA Products, are already known and understood by the users, and have therefore not been restated.

WARNING: Failure to follow appropriate service and safety procedures when servicing this product may result in personal injury, destruction of expensive components, and failure of the product to perform as specified. For these reasons, we advise all YAMAHA product owners that any service required should be performed by an authorized YAMAHA Retailer or the appointed service representative.

IMPORTANT: The presentation or sale of this manual to any individual or firm does not constitute authorization, certification or recognition of any applicable technical capabilities, or establish a principle-agent relationship of any form.

The data provided is believed to be accurate and applicable to the unit(s) indicated on the cover. The research, engineering, and service departments of YAMAHA are continually striving to improve YAMAHA products. Modifications are, therefore, inevitable and specifications are subject to change without notice or obligation to retrofit. Should any discrepancy appear to exist, please contact the distributor's Service Division.

WARNING: Static discharges can destroy expensive components. Discharge any static electricity your body may have accumulated by grounding yourself to the ground buss in the unit (heavy gauge black wires connect to this buss).

IMPORTANT: Turn the unit OFF during disassembly and part replacement. Recheck all work before you apply power to the unit.

CONTENTS

TO SERVICE PERSONNEL	2-3	DISPLAY DATA	39-40
FRONT PANELS	3-5	IC DATA	41-50
REAR PANELS	5-9	PIN CONNECTION DIAGRAM	51-52
REMOTE CONTROL PANELS	10	BLOCK DIAGRAMS	53-55
SPECIFICATIONS / 参考仕様	11-12	PRINTED CIRCUIT BOARDS	56-68
INTERNAL VIEW	13	SCHEMATIC DIAGRAMS	69-75
DISASSEMBLY PROCEDURES / 分解手順	14-15	REPLACEMENT PARTS LIST	77-95
SELF DIAGNOSIS FUNCTION (DIAG) / 自己診断機能(ダイヤグ)	16-37	REMOTE CONTROL	96-97
AMP ADJUSTMENT / アンプ部調整	38	ADVANCED SETUP	98
		REPLACEMENT PARTS LIST FOR CARBON RESISTORS	99




このサービスマニュアルは、エコマーク認定の再生紙を使用しています。
This Service Manual uses recycled paper.



■ TO SERVICE PERSONNEL

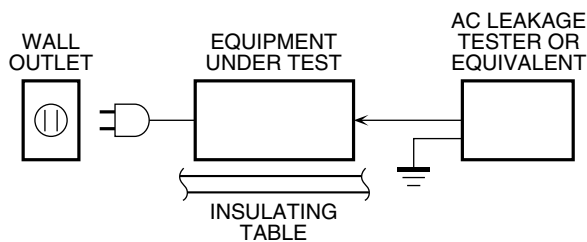
1. Critical Components Information

Components having special characteristics are marked  and must be replaced with parts having specifications equal to those originally installed.

2. Leakage Current Measurement (For 120V Models Only)

When service has been completed, it is imperative to verify that all exposed conductive surfaces are properly insulated from supply circuits.

- Meter impedance should be equivalent to 1500 ohms shunted by 0.15μF.



- Leakage current must not exceed 0.5mA.
- Be sure to test for leakage with the AC plug in both polarities.



“CAUTION”

“F3000, 3001: FOR CONTINUED PROTECTION AGAINST RISK OF FIRE, REPLACE ONLY WITH SAME TYPE 8A, 125V FUSE.”

CAUTION

F3000, 3001: REPLACE WITH SAME TYPE 8A, 125V FUSE.

ATTENTION

F3000, 3001: UTILISER UN FUSIBLE DE RECHANGE DE MEME TYPE DE 8A, 125V.

WARNING: CHEMICAL CONTENT NOTICE!

The solder used in the production of this product contains LEAD. In addition, other electrical/electronic and/or plastic (where applicable) components may also contain traces of chemicals found by the California Health and Welfare Agency (and possibly other entities) to cause cancer and/or birth defects or other reproductive harm.

DO NOT PLACE SOLDER, ELECTRICAL/ELECTRONIC OR PLASTIC COMPONENTS IN YOUR MOUTH FOR ANY REASON WHATSOEVER!

Avoid prolonged, unprotected contact between solder and your skin! When soldering, do not inhale solder fumes or expose eyes to solder/flux vapor!

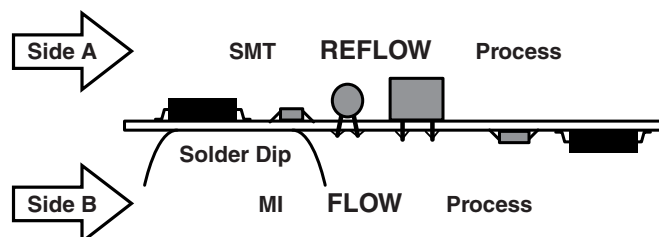
If you come in contact with solder or components located inside the enclosure of this product, wash your hands before handling food.

About Lead Free Solder / 無鉛ハンダについて

The P.C.B.s installed in this unit are soldered using the following solder.

本機に搭載されている基板のハンダ付けに使用されているハンダは下記の通りです。

	SIDE A / A面	SIDE B / B面
DSP P.C.B.	lead free solder / 無鉛ハンダ	lead free solder / 無鉛ハンダ
FUNCTION P.C.B.	—	lead free solder / 無鉛ハンダ
OPERATION P.C.B.	—	lead free solder / 無鉛ハンダ
MAIN P.C.B.	—	lead free solder / 無鉛ハンダ
YST P.C.B.	—	lead free solder / 無鉛ハンダ



Among some types of lead free solder currently available, it is recommended to use one of the following types for the repair work.

- Sn + Ag + Cu (tin + silver + copper)
- Sn + Cu (tin + copper)
- Sn + Zn + Bi (tin + zinc + bismuth)

Caution:

1. As the melting point temperature of the lead free solder is about 30°C to 40°C (50°F to 70°F) higher than that of the lead solder, be sure to use a soldering iron suitable to each solder.
2. If lead solder must be used, be sure to remove lead free solder from each terminal section of the parts to be replaced and from the area around it completely before soldering, or make sure that the lead free solder and lead solder melt together fully.

無鉛ハンダにはいくつかの種類がありますが、修理時には下記のような無鉛ハンダの使用を推奨します。

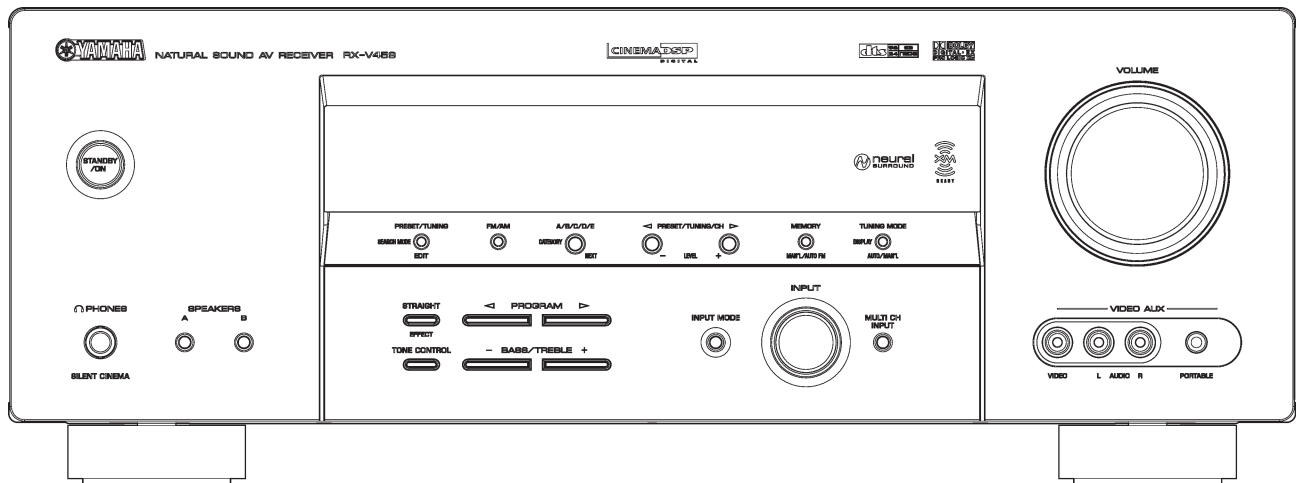
- ・ Sn+Ag+Cu(錫+銀+銅)
- ・ Sn+Cu(錫+銅)
- ・ Sn+Zn+Bi(錫+亜鉛+ビスマス)

注意:

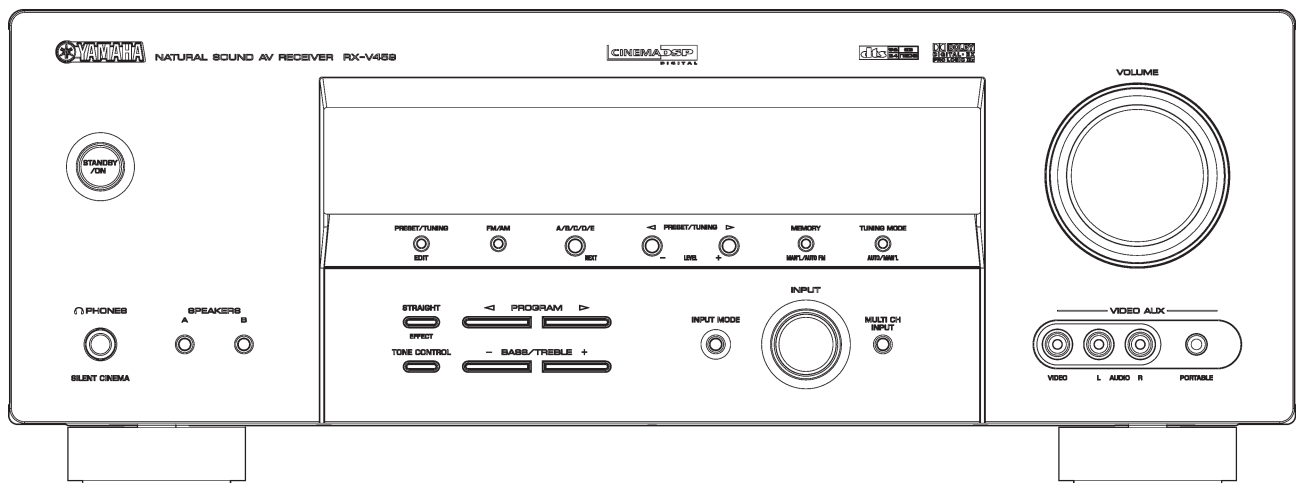
1. 無鉛ハンダの融点温度は通常の鉛入りハンダに比べ30~40°C程度高くなっていますので、それぞれのハンダに合ったハンダごてをご使用ください。
2. 鉛入りハンダを使わざるを得ない場合は、あらかじめ交換する部品端子部やその周辺部の無鉛ハンダをすべて取り除くか、あるいは無鉛ハンダと鉛入りハンダが十分に溶けた状態となるようにハンダ付けしてください。

■ **FRONT PANELS**

RX-V459 (U, C models)

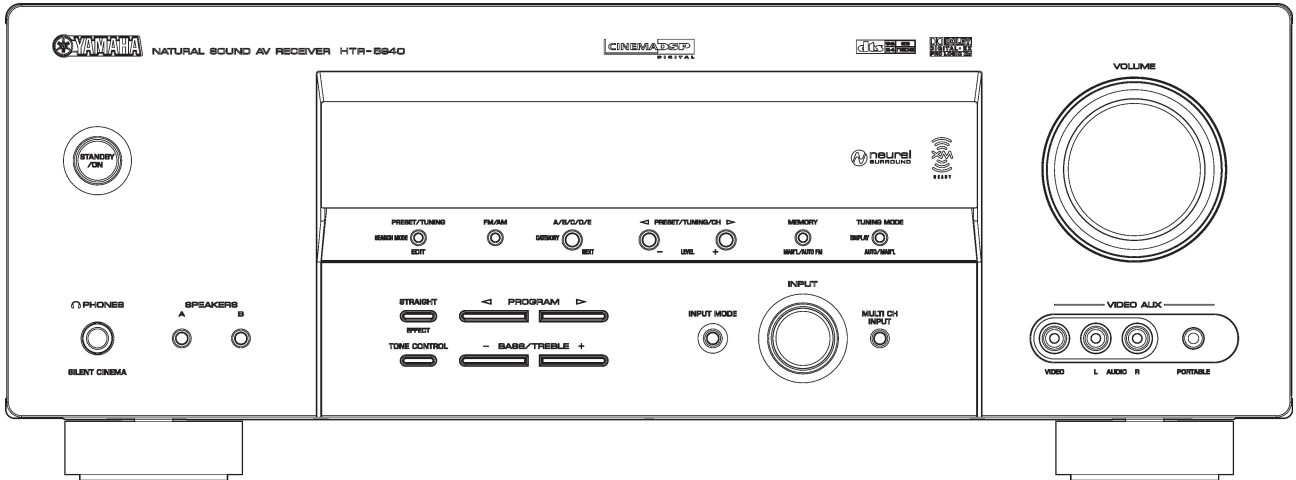


RX-V459 (R, T, K, A, G, E, L models)

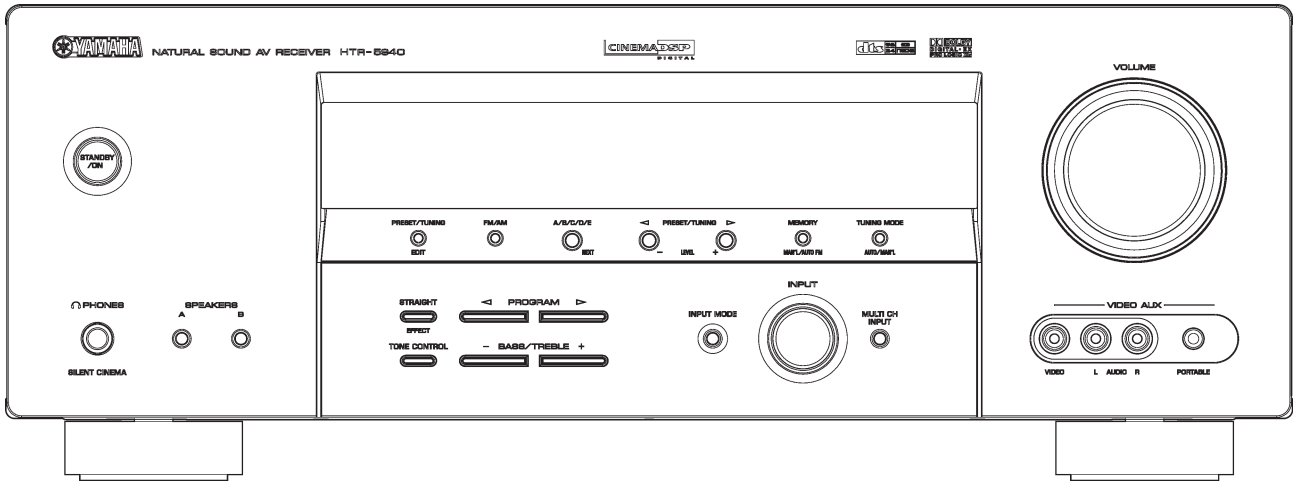


RX-V459/HTR-5940/DSP-AX459
HTR-5935

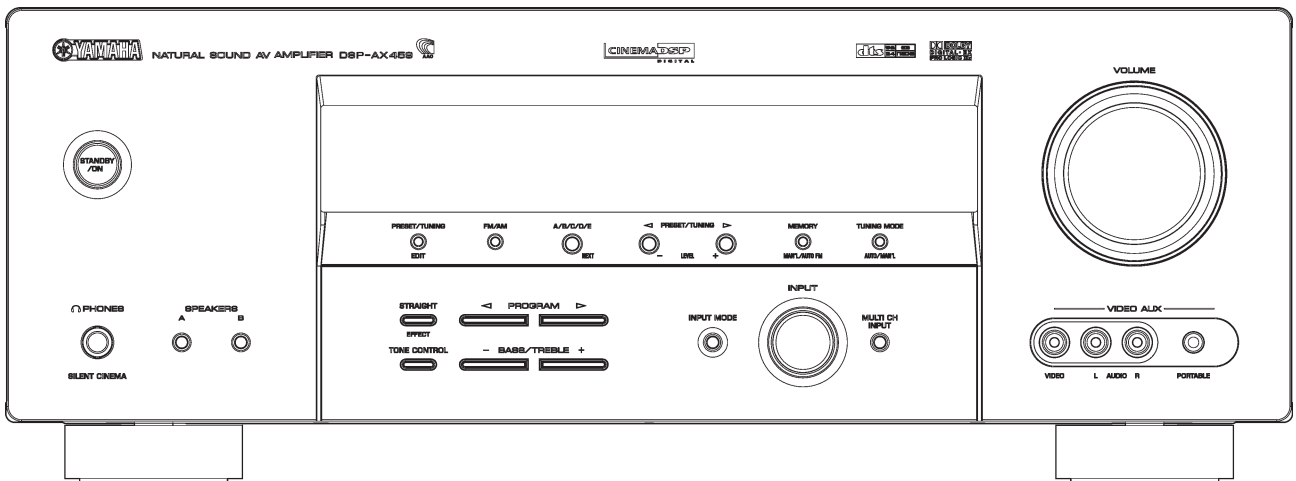
HTR-5940 (U, C models)



HTR-5940 (T, K, A, G, E models)

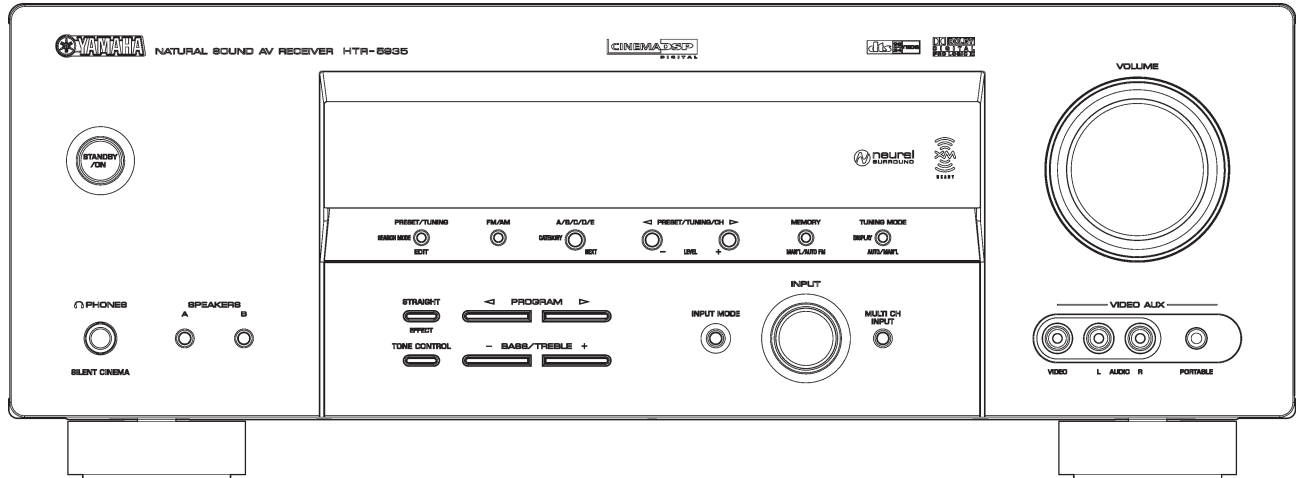


DSP-AX459 (J model)



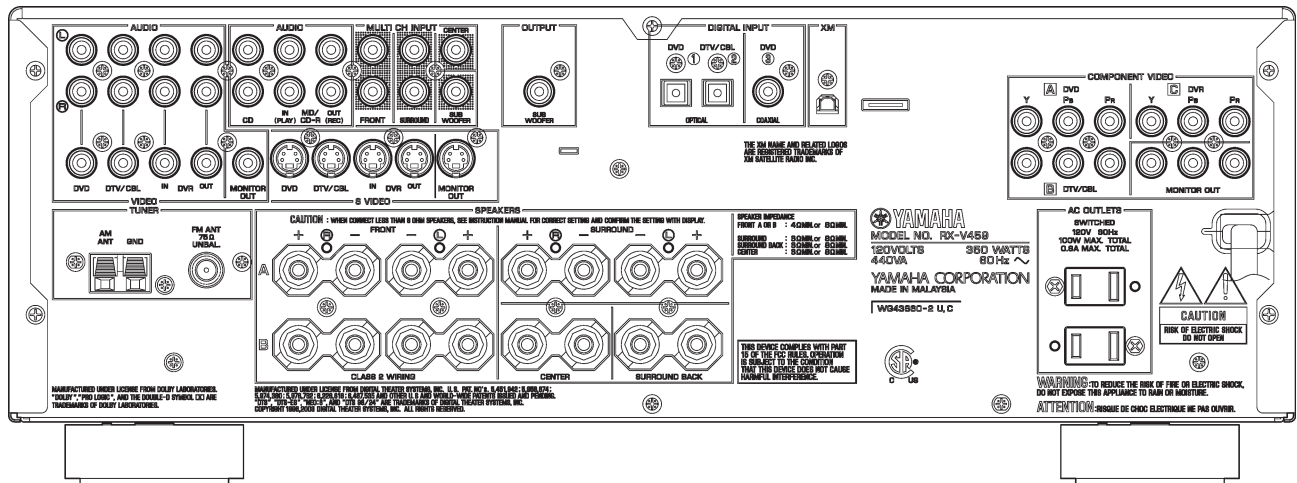
RX-V459/HTR-5940/DSP-AX459
HTR-5935

HTR-5935 (U model)

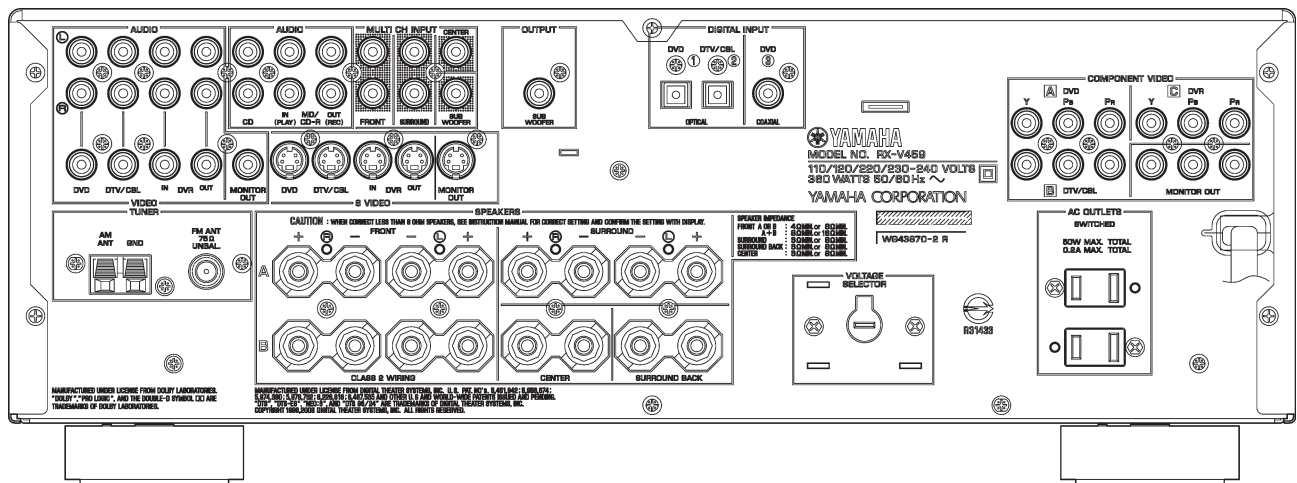


REAR PANELS

RX-V459 (U, C models)

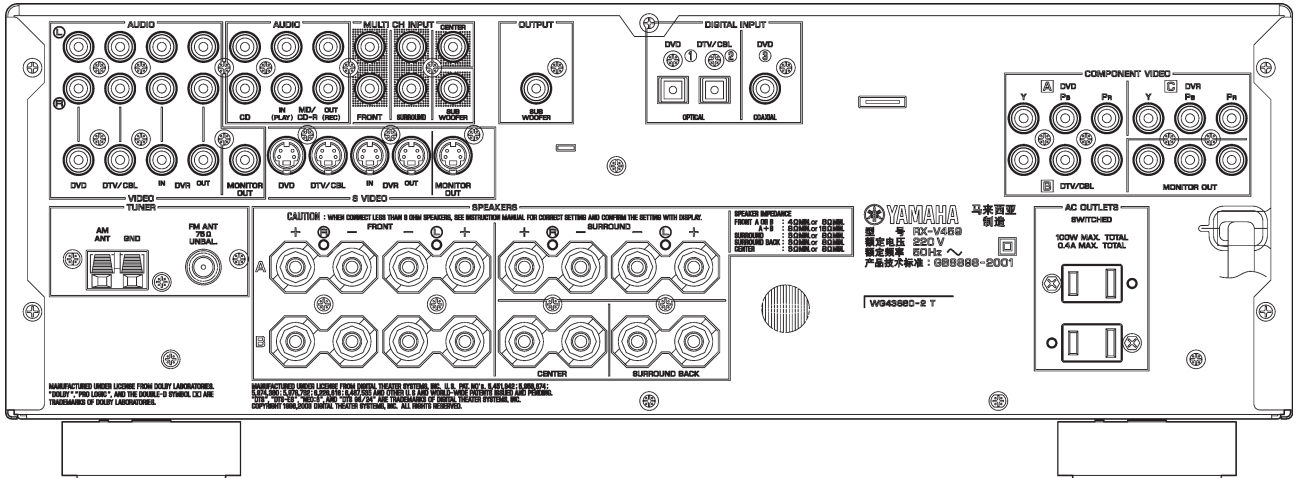


RX-V459 (R model)

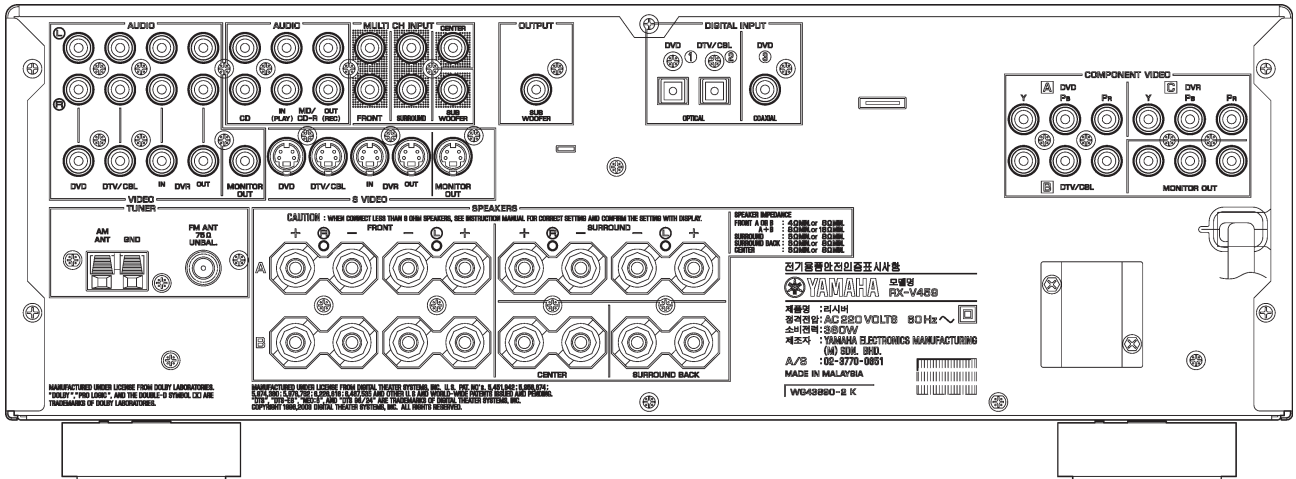


RX-V459/HTR-5940/DSP-AX459
HTR-5935

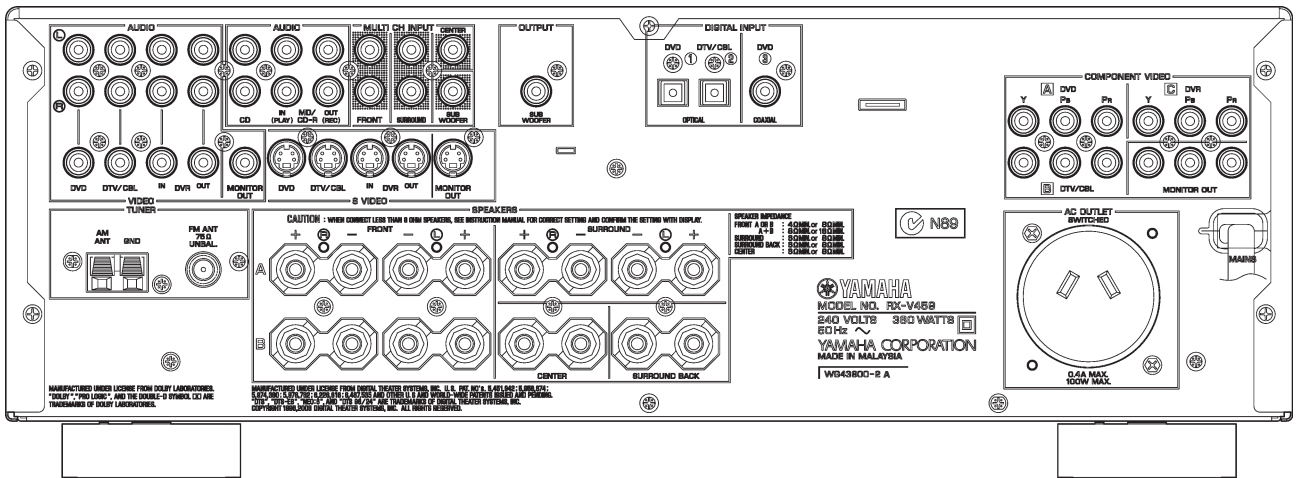
RX-V459 (T model)



RX-V459 (K model)

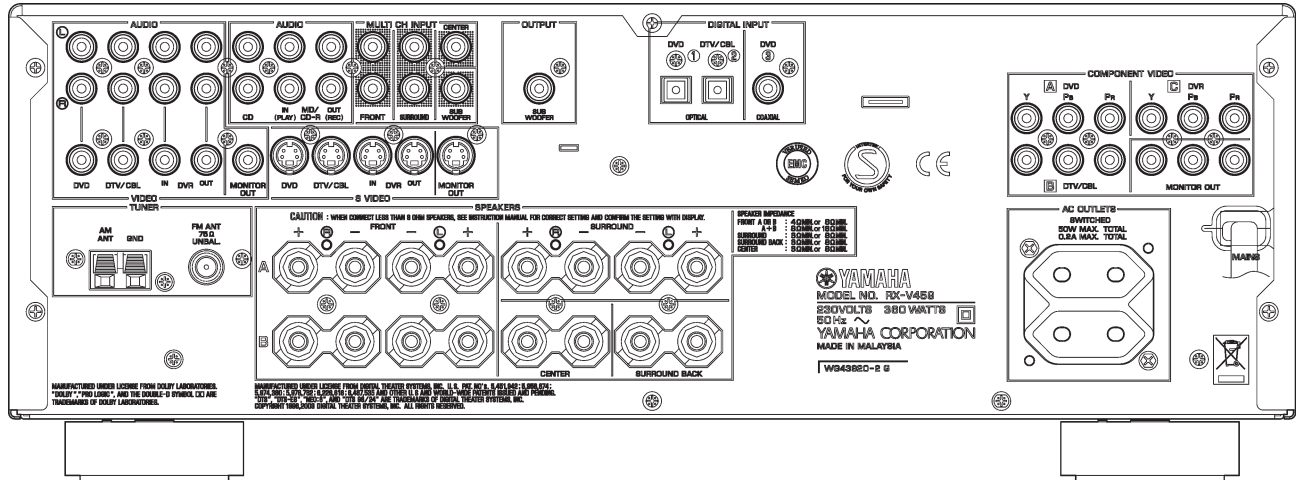


RX-V459 (A model)

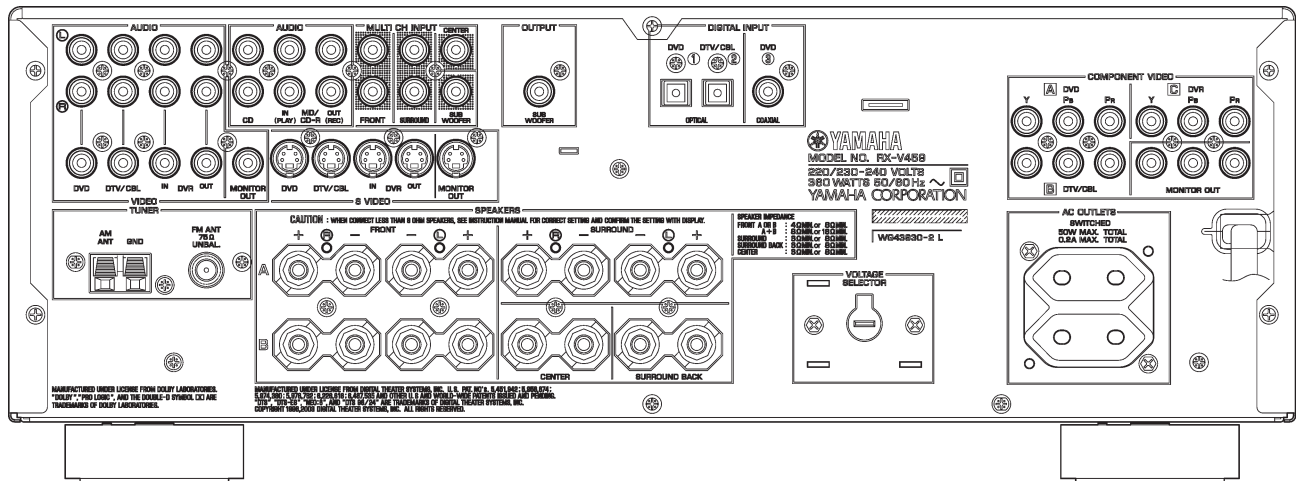


RX-V459/HTR-5940/DSP-AX459
HTR-5935

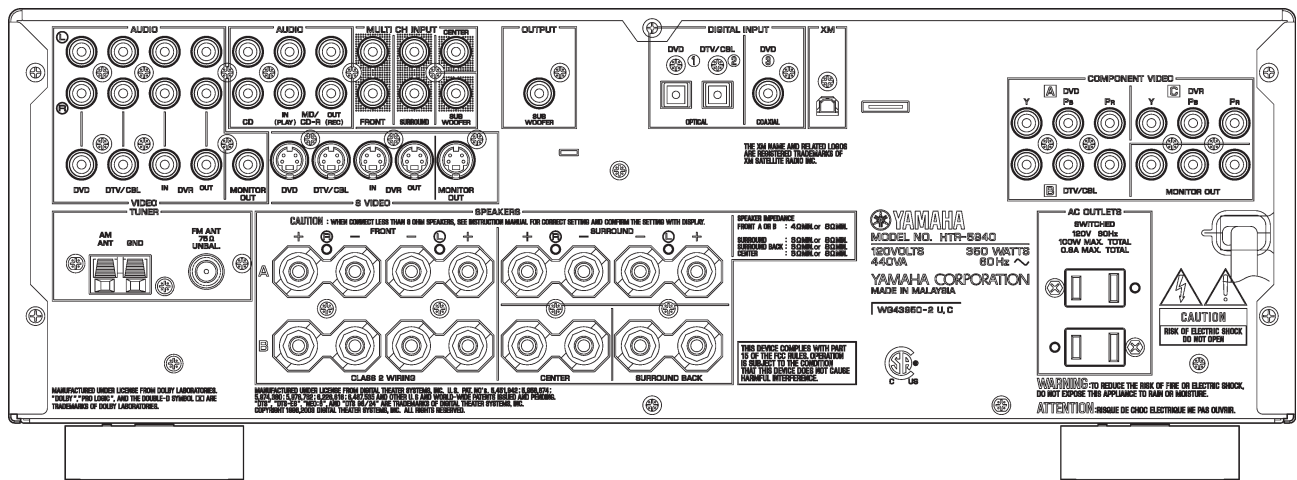
RX-V459 (G, E models)



RX-V459 (L model)

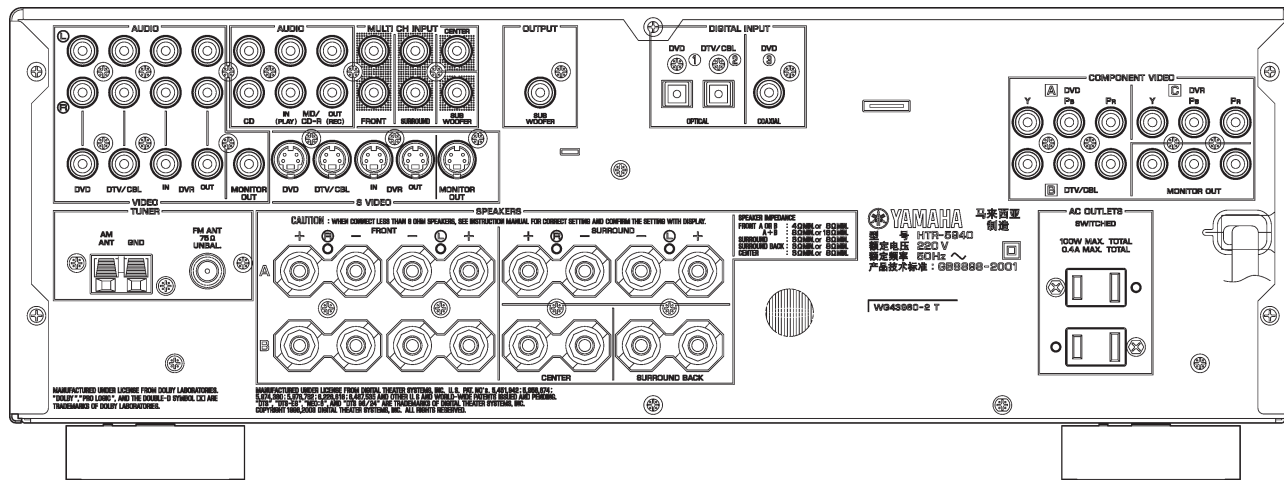


HTR-5940 (U, C models)

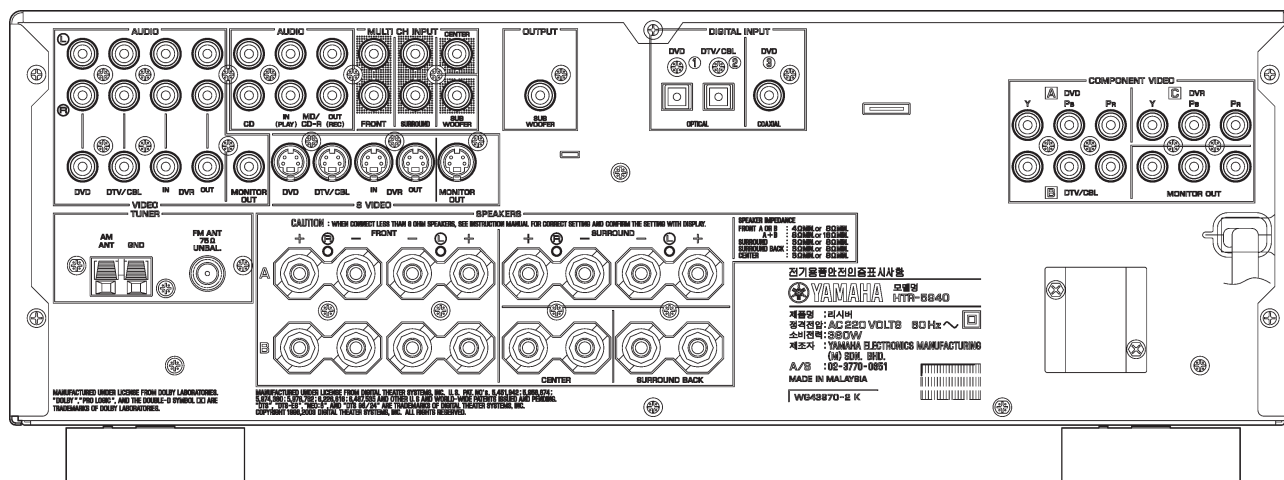


RX-V459/HTR-5940/DSP-AX459
HTR-5935

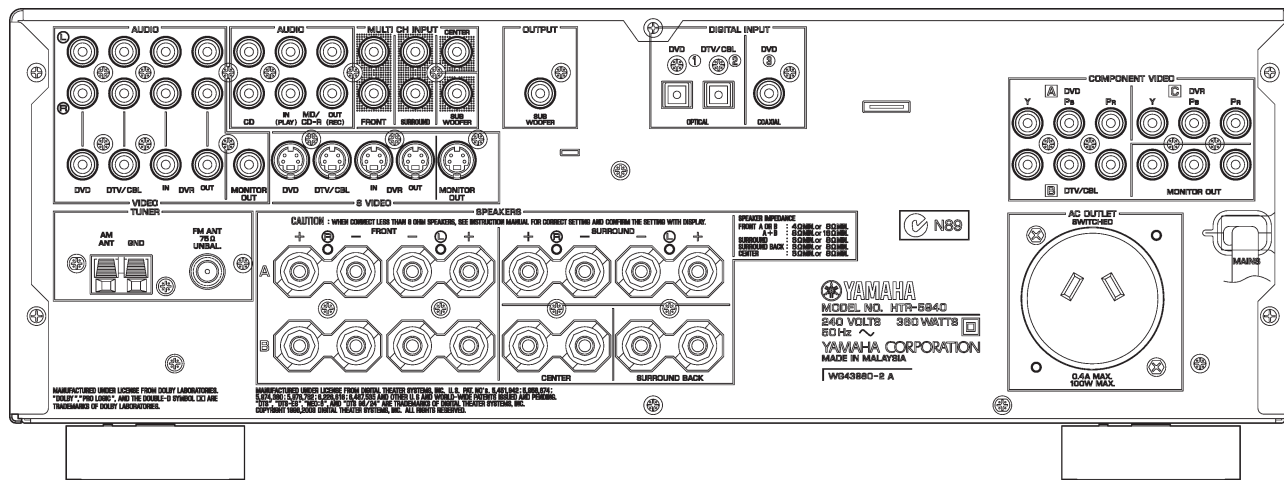
HTR-5940 (T model)



HTR-5940 (K model)

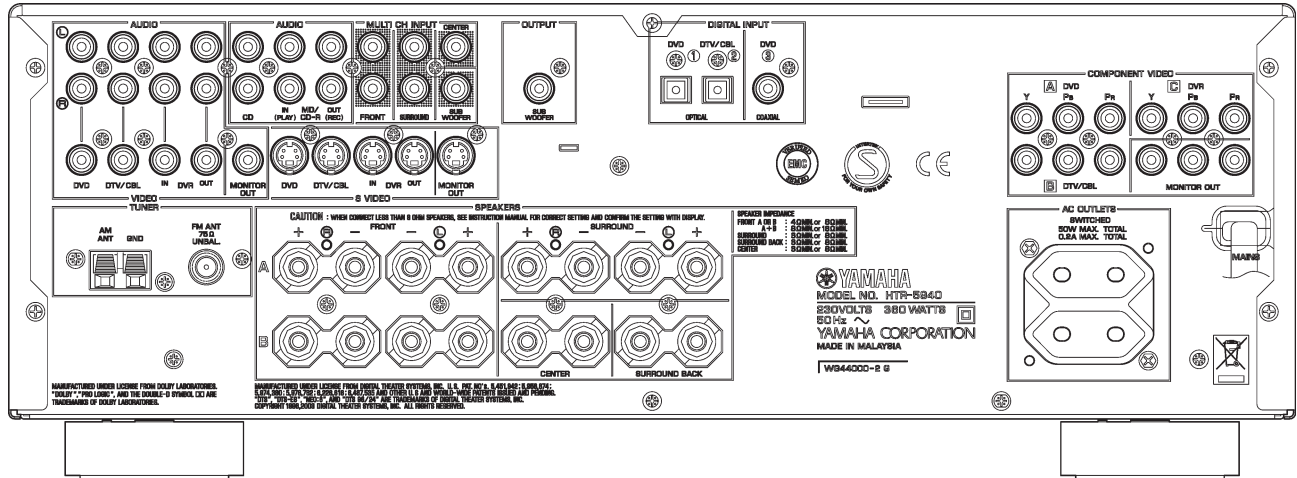


HTR-5940 (A model)

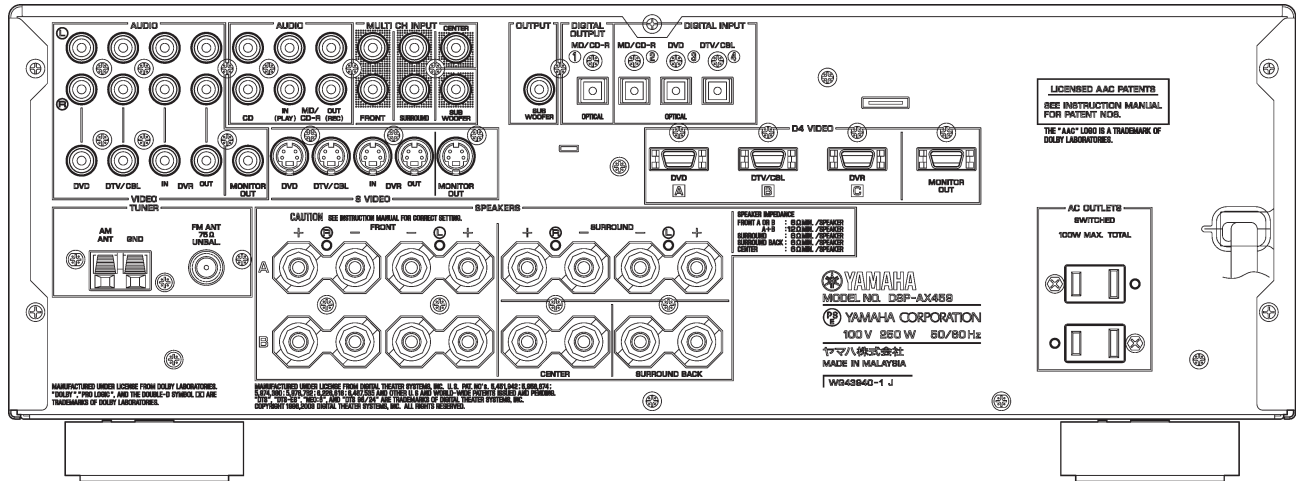


RX-V459/HTR-5940/DSP-AX459
HTR-5935

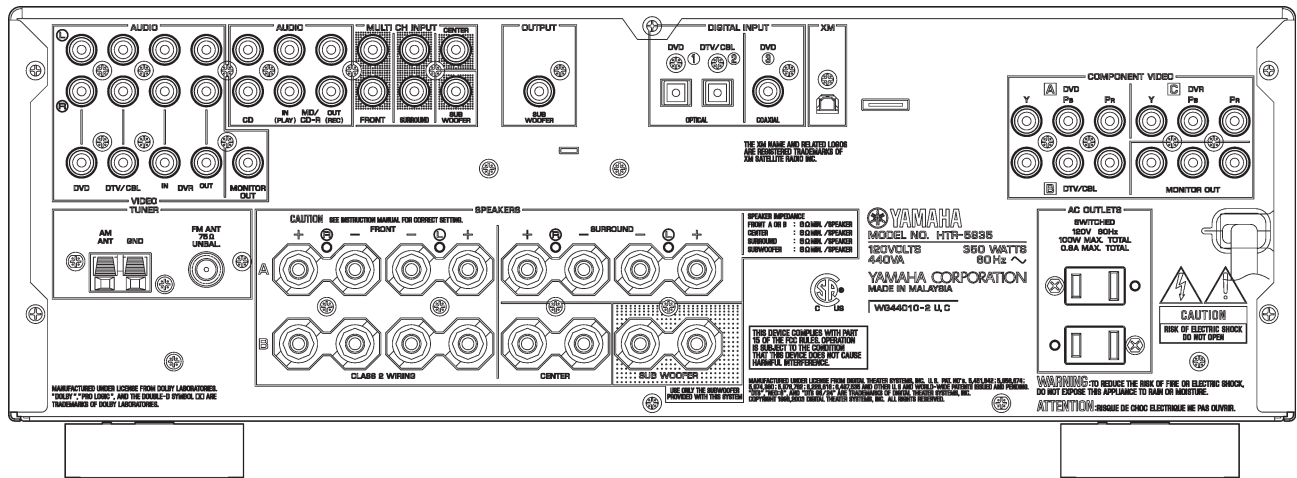
HTR-5940 (G, E models)



DSP-AX459 (J model)



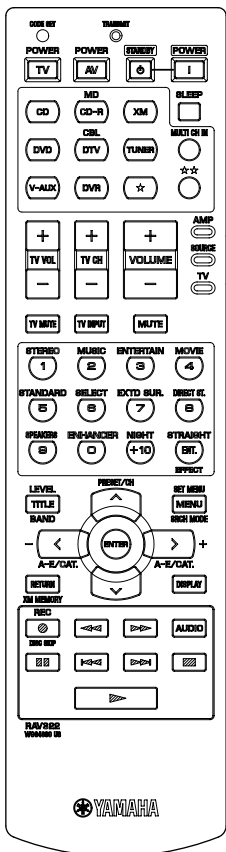
HTR-5935 (U model)



RX-V459/HTR-5940/DSP-AX459
HTR-5935

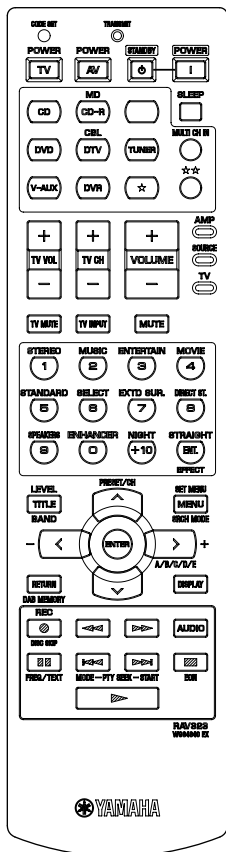
REMOTE CONTROL PANELS

RAV322



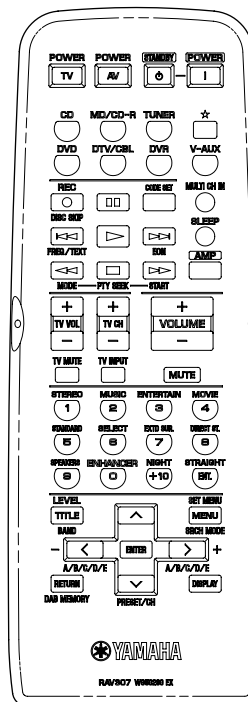
RX-V459 (U, C models)
HTR-5940 (U, C models)

RAV323



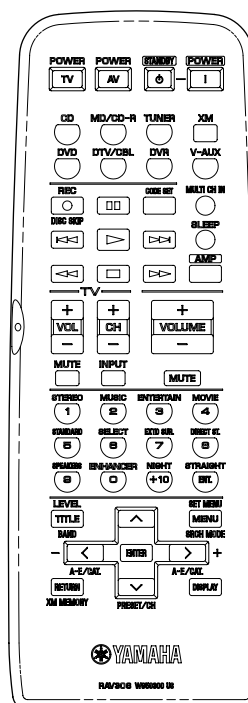
DSP-AX459 (J model)

RAV307



RX-V459 (R, T, K, A, G, E, L models)
HTR-5940 (T, K, A, G, E models)

RAV308



HTR-5935 (U model)

■ SPECIFICATIONS / 参考仕様

■ Audio Section / オーディオ部

Minimum RMS Output Power (Power Amp. Section) / 定格出力 (パワーアンプ部)

[RX-V459]
(20 Hz to 20 kHz, 0.06 % THD, 8 ohms)

FRONT L/R	90 W + 90 W
CENTER	90 W
SURROUND L/R	90 W + 90 W
SURROUND BACK	vW

[HTR-5940]
(1 kHz, 0.7 % THD, 8 ohms)

FRONT L/R	105 W + 105 W
CENTER	105 W
SURROUND L/R	105 W + 105 W
SURROUND BACK	105 W

[DSP-AX459] (J model)
(20 Hz to 20 kHz, 0.09 % THD, 6 ohms)

FRONT L/R	90 W + 90 W
CENTER	90 W
SURROUND L/R	90 W + 90 W
SURROUND BACK	90 W

[HTR-5935]
(6 ohms)

FRONT L/R (1 kHz, 0.9 % THD)	120 W + 120 W
CENTER (1 kHz, 0.9 % THD)	120 W
SURROUND L/R (1 kHz, 0.9 % THD)	120 W + 120 W
SUBWOOFER (30 Hz)	120 W

Maximum Power / 実用最大出力 (EIAJ) (1 kHz, 10 % THD)

[RX-V459/HTR-5940] (R, T, K, L models)

FRONT L/R (8 ohms)	130 W
CENTER (8 ohms)	130 W
SURROUND L/R (8 ohms)	130 W
SURROUND BACK (8 ohms)	130 W

[DSP-AX459] (J model)

FRONT L/R (6 ohms)	130 W
CENTER (6 ohms)	130 W
SURROUND L/R (6 ohms)	130 W
SURROUND BACK (6 ohms)	130 W

Maximum Power Per Channel / MAXパワー (SP IMPEDANCE SET: 8 ohms Minimum/1 kHz, 0.7 % THD 4ohms)

[RX-V459/HTR-5940] (G, E models)

FRONT L/R	140 W + 140 W
CENTER	140 W
SURROUND L/R	140 W + 140 W
SURROUND BACK	140 W

IEC Power / IECパワー (1 kHz, 0.06 % THD 8 ohms)

[RX-V459/HTR-5940] (G, E, L models)

FRONT L/R	100 W + 100 W
-----------	---------------

Dynamic Power Per Channel / ダイナミックパワー (IHF)

[RX-V459/HTR-5940]

FRONT L/R (8/6/4/2 ohms)	120/155/190/235 W
--------------------------	-------------------

[DSP-AX459] (J model)

FRONT L/R (-6/4/2 ohms)	-/130/160/205 W
-------------------------	-----------------

[HTR-5935]

FRONT L/R (8/6/4/2 ohms)	-/150/185/230 W
--------------------------	-----------------

Dynamic Headroom / ダイナミックヘッドルーム

[RX-V459/HTR-5940] (U, C models)

8 ohms	1.5 dB
--------	--------

[HTR-5935] (U model)

6 ohms	0.97 dB
--------	---------

Damping Factor / ダンピングファクタ

FRONT L/R (20 Hz to 20 kHz, SPEAKER-A)

FRONT L/R (20 Hz to 20 kHz, SPEAKER-A)	120 or more
--	-------------

Input Sensitivity/Input Impedance / 入力感度/入力インピーダンス

CD, etc. (Effect On)

CD, etc. (Effect On)	200 mV / 47 k-ohms
----------------------	--------------------

CD, etc. (Effect On)

CD, etc. (Effect On)	200 mV / 47 k-ohms
----------------------	--------------------

Maximum Input Signal Level / 最大許容入力 (1 kHz, 0.5% THD)

CD, etc. (Effect On)

CD, etc. (Effect On)	2.2 V or more
----------------------	---------------

Output Level/Output Impedance / 出力電圧/出力インピーダンス

REC OUT

REC OUT	200 mV / 1.2 k-ohms
---------	---------------------

REC OUT

REC OUT	200 mV / 1.2 k-ohms
---------	---------------------

Headphone Jack Rated Output/Impedance / ヘッドフォン出力/出力インピーダンス

CD, etc. (1 kHz, 50 mV, 8 ohms)

CD, etc. (1 kHz, 50 mV, 8 ohms)	150 mV / 100 ohms
---------------------------------	-------------------

Frequency Response / 周波数特性

CD, etc. to FRONT L/R (10 Hz to 100 kHz)

CD, etc. to FRONT L/R (10 Hz to 100 kHz)	+0/-3.0 dB
--	------------

V-AUX to FRONT L/R (10 Hz to 20 kHz)

V-AUX to FRONT L/R (10 Hz to 20 kHz)	+0/-3.0 dB
--------------------------------------	------------

Total Harmonic Distortion / 全高調波歪率 (45 W, 8 ohms)

CD, etc. (2ch STEREO) to FRONT L/R SP OUT

CD, etc. (2ch STEREO) to FRONT L/R SP OUT	0.06 % or less
---	----------------

Signal to Noise Ratio / 信号対雑音比 (IHF-A Network)

CD, etc. (Input shorted) SP OUT

CD, etc. (Input shorted) SP OUT	100 dB or more
---------------------------------	----------------

Residual Noise / 残留ノイズ (IHF-A Network)

FRONT L/R SP OUT

FRONT L/R SP OUT	150 μV or less
------------------	----------------

Channel Separation / チャンネルセパレーション

CD, etc. (Input 5.1 k-ohms shorted, 1 kHz/10 kHz)

CD, etc. (Input 5.1 k-ohms shorted, 1 kHz/10 kHz)	60 dB or more/45 dB or more
---	-----------------------------

Tone Control Characteristics / トーンコントロール特性

BASS

Boost/Cut	±10 dB (60 Hz)
-----------	----------------

TREBLE

Boost/Cut	±10 dB (20 kHz)
-----------	-----------------

Filter Characteristics / フィルター特性

FRONT L/R, CENTER, SURROUND L/R, SURROUND BACK SP Small (H.P.F.)

FRONT L/R, CENTER, SURROUND L/R, SURROUND BACK SP Small (H.P.F.)	fc= 40/60/80/90/100/110/120/160/200 Hz / 12 dB/oct.
--	---

SUBWOOFER (L.P.F.)

SUBWOOFER (L.P.F.)	fc= 40/60/80/90/100/110/120/160/200 Hz / 24 dB/oct.
--------------------	---

■ Video Section / ビデオ部

Composite Video Signal Level / コンポジットビデオ信号

Y

Y	1 Vp-p / 75 ohms
---	------------------

C

C	0.286 Vp-p / 75 ohms
---	----------------------

Component Signal Level / コンポーネントビデオ信号

(U, C, R, T, K, A, G, E, L models)

Y	1 Vp-p / 75 ohms
---	------------------

Cb/Cr

Cb/Cr	0.7 Vp-p / 75 ohms
-------	--------------------

D4-Video Signal Level / D4端子ビデオ信号 (J model)

Y

Y	1 Vp-p / 75 ohms
---	------------------

Cb/Cr

Cb/Cr	0.7 Vp-p / 75 ohms
-------	--------------------

Video Maximum Input Level / ビデオ最大許容入力

Y

Y	1.5 Vp-p or more
---	------------------

Signal to Noise Ratio / 信号対雑音比

50 dB or more

Signal to Noise Ratio / 信号対雑音比	50 dB or more
--------------------------------	---------------

Monitor Out Frequency Response / モニターアウト周波数帯域

(VIDEO CONV. OFF)

Component Video Signal Level (U, C, R, T, K, A, G, E, L models)	5 Hz to 60 MHz, -3 dB
---	-----------------------

D4-Video Signal Level (J model)

D4-Video Signal Level (J model)	5 Hz to 60 MHz, -3 dB
---------------------------------	-----------------------

■ FM Section / FM部

Tuning Range / 受信周波数範囲

U, C models

U, C models	87.5 to 107.9 MHz
-------------	-------------------

R, L models

R, L models	87.5 to 108.0 / 87.50 to 108.00 MHz
-------------	-------------------------------------

T, K, A, G, E models

T, K, A, G, E models	87.50 to 108.00 MHz
----------------------	---------------------

J models

J models	76.0 to 90.0 MHz
----------	------------------

50 dB Quieting Sensitivity / 50 dB SN感度 (IHF) (1 kHz, 100 % Mod.)

Mono / Stereo

Mono / Stereo	2.0 μV (17.3 dBf) / 25 μV (39.2 dBf)
---------------	--------------------------------------

Usable Sensitivity / 実用感度 (IHF)

Mono

Mono	1.0 μV (11.2 dBf)
------	-------------------

Selectivity / 選択度 (at 400 kHz)

70 dB

Selectivity / 選択度 (at 400 kHz)	70 dB
--------------------------------	-------

Signal to Noise Ratio / 信号対雑音比 (IHF)

Mono / Stereo

Signal to Noise Ratio / 信号対雑音比 (IHF)	76 dB / 70 dB
--------------------------------------	---------------

Harmonic Distortion / 歪率 (1 kHz)

Mono/Stereo

Harmonic Distortion / 歪率 (1 kHz)	0.2 / 0.3 %
----------------------------------	-------------

Stereo Separation / ステレオセパレーション

1 kHz

Stereo Separation / ステレオセパレーション	42 dB
---------------------------------	-------

Frequency Response / 周波数特性

20 Hz to 15 kHz

Frequency Response / 周波数特性	+0.5 / -2 dB
----------------------------	--------------

Antenna Input / アンテナ入力

75 ohms unbalanced

Antenna Input / アンテナ入力	75 ohms unbalanced
------------------------	--------------------

■ AM Section / AM部

Tuning Range / 受信周波数範囲

U, C models

U, C models	530 to 1,710 kHz
-------------	------------------

R, L models

R, L models	530 to 1,710 / 531 to 1,611 kHz
-------------	---------------------------------

T, K, A, G, E, J models

T, K, A, G, E, J models	531 to 1,611 kHz
-------------------------	------------------

Usable Sensitivity / 実用感度

300 μV/m

Usable Sensitivity / 実用感度	300 μV/m
---------------------------	----------

Antenna / アンテナ入力

Loop antenna

Antenna / アンテナ入力	Loop antenna
------------------	--------------

■ General / 総合

Power Supply / 電源電圧

U, C models

U, C models	AC 120 V, 60 Hz
-------------	-----------------

R model

R model	AC 110/120/220/230-240 V, 50/60 Hz
---------	------------------------------------

T model

T model	AC 220 V, 50 Hz
---------	-----------------

K model

K model	AC 220 V, 60 Hz
---------	-----------------

A model

A model	AC 240 V, 50 Hz
---------	-----------------

G, E models

G, E models	AC 230 V, 50 Hz
-------------	-----------------

L model

L model	AC 220/230-240 V, 50/60 Hz
---------	----------------------------

J model

J model	AC 100V, 50/60 Hz
---------	-------------------

Power Consumption / 消費電力

U, C models

U, C models	350 W / 440 VA
-------------	----------------

R, T, K, A, G, E, L models

R, T, K, A, G, E, L models	360 W
----------------------------	-------

J model

J model	250 W
---------	-------

Standby Power Consumption (reference data) / 待機時消費電力 (参考値)

0.1 W

Standby Power Consumption (reference data) / 待機時消費電力 (参考値)	0.1 W
--	-------

Maximum Power Consumption (R model)

6ch Drive, 10 % THD

Maximum Power Consumption (R model)	700 W
-------------------------------------	-------

AC Outlets / ACアウトレット

2 Switched Outlets

AC Outlets / ACアウトレット	2 Switched Outlets
-----------------------	--------------------

U, C, T, J models

U, C, T, J models	100 W max. total
-------------------	------------------

R, G, E, L models

R, G, E, L models	50 W max. total
-------------------	-----------------

1 Switched Outlet

1 Switched Outlet	100 W max.
-------------------	------------

Dimensions / 寸法 (W x H x D)

435 x 161 x 393.2 mm (17-1/8" x 6-5/16" x 15-1/2")

Dimensions / 寸法 (W x H x D)	435 x 161 x 393.2 mm (17-1/8" x 6-5/16" x 15-1/2")
-----------------------------	--

Weight / 質量

10.5 kg (23 lbs. 2 oz.)

Weight / 質量	10.5 kg (23 lbs. 2 oz.)
-------------	-------------------------

Finish / 仕上げ

[RX-V459]

Gold color	R, T, K, L models
------------	-------------------

Black color

Black color	U, C, R, A, G, E models
-------------	-------------------------

Titanium color

Titanium color	C, R, G, E, L models
----------------	----------------------

Silver color

Silver color	R, K models
--------------	-------------

[HTR-5940]

Gold color	T model
------------	---------

Black color

Black color	U, C, G models
-------------	----------------

Silver color

Silver color	U, C, K, A, G, E models
--------------	-------------------------

[DSP-AX459]

Gold color	J model
------------	---------

Silver color

Silver color	J model
--------------	---------

[HTR-5935]

Black color	U model
-------------	---------

Silver color

Silver color	U model
--------------	---------

Accessories / 付属品

Remote control x 1, Batteries x 2, Indoor FM antenna x 1, AM loop antenna x 1

Accessories / 付属品	Remote control x 1, Batteries x 2, Indoor FM antenna x 1, AM loop antenna x 1
-------------------	---

* Specifications are subject to change without notice due to product improvements.

※ 参考仕様および外観は予告なく変更されることがあります。

U	U.S.A. model	C	Canadian model
R	General model	T	Chinese model
K	Korean model	A	Australian model
G	European model	E	South European model
L	Singapore model	J	Japanese model

DOLBY DIGITAL EX PRO LOGIC II

Manufactured under license from Dolby Laboratories.

“Dolby”, “Pro Logic”, and the double-D symbol are trademarks of Dolby Laboratories.

ドルビーラボラトリーズからの実施権により製造されています。「ドルビー」、「PRO LOGIC」、「Surround EX」およびダブルD記号は、ドルビーラボラトリーズの商標です。

dts 96 ES 24 NEO6

Manufactured under license from Digital Theater Systems, Inc.

“DTS”, “DTS-ES”, “NEO:6”, and “DTS 96/24” are trademarks of Digital Theater Systems, Inc. Copyright 1996, 2003 Digital Theater Systems, Inc. All right reserved.

DTS、DTS-ES Extended Surround、NEO:6およびDTS96/24はデジタルシアターシステムズの登録商標です。

iPod®

“iPod” is a trademark of Apple Computer, Inc., registered in the U.S. and other countries.

iPodは、米国およびその他の国々で登録されたApple Computer, Inc.の商標または登録商標です。

SILENT™ CINEMA

“SILENT CINEMA” is a trademark of YAMAHA CORPORATION.

「サイレントシネマ SILENT CINEMA」はヤマハ株式会社の登録商標です。

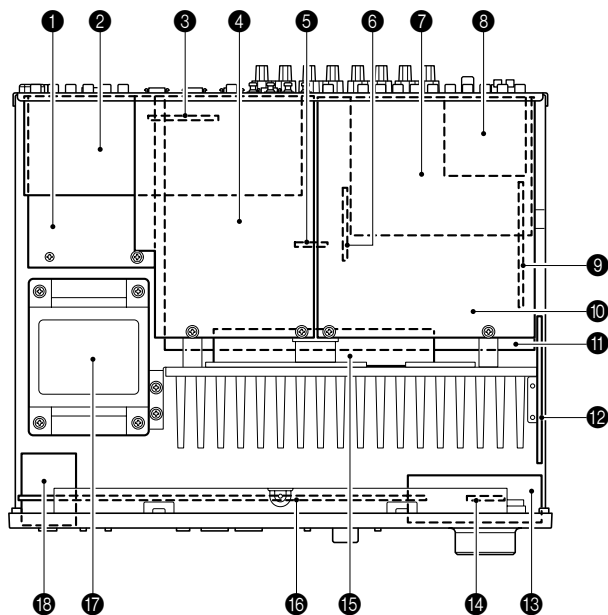


READY

The XM name and related logos

CATEGORY	MAIN MENU	SUB MENU	SELECT MENU	VALUE [INITIAL]
BASIC SETUP	1 SOUND MENU	ROOM	S / [M] / L	
		SUBWOOFER	[YES] / NONE	
MANUAL SETUP	A) SPEAKER SET	SPEAKER	2spk / 3spk / 4 spk / 5spk / [6spk]	
		SETUP	OK / CANCEL	
MANUAL SETUP	B) SPEAKER LEVEL	CHECK OK?	YES / NO	
		FRONT	: LARGE	SMALL / [LARGE]
MANUAL SETUP	C) SP DISTANCE	CENTER	: SML	NONE / [SML] / LRG
		SURROUND L/R	: SML	NONE / [SML] / LRG
MANUAL SETUP	D) CENTER GEQ	SURROUND BACK	: SML	NONE / [SML] / LRG
		PRESENCE	: NONE	[NONE] / YES
MANUAL SETUP	E) LFE LEVEL	LFE/BASS OUT	: BOTH	SWFR / FRONT / [BOTH]
		CROSS OVER	: 80Hz	40 / 60 / [80] / 100 / 110 / 120 / 160 / 200 Hz
MANUAL SETUP	F) DYNAMIC RANGE	SUBWOOFER PHASE	: NORMAL	[NORMAL] / REVERSE
		FL	
MANUAL SETUP	G) AUDIO SET	FR	
		C	
MANUAL SETUP	A) I/O ASSIGNMENT (U, C, R, T, K, A, B, G, E, L models)	SL	
		SR	
MANUAL SETUP	B) MEMORY GUARD	SB	
		SWFR	
MANUAL SETUP	C) INPUT RENAME	UNIT	feet / meters	
		FRONT L	: 10.0ft	
MANUAL SETUP	D) DISPLAY SET	FRONT R	: 10.0ft	
		CENTER	: 10.0ft	
MANUAL SETUP	E) XM RADIO SET (U model)	SURR L	: 10.0ft	
		SURR R	: 10.0ft	
MANUAL SETUP	F) DYNAMIC RANGE	SB	: 7.0ft	
		SWFR	: 10.0ft	feet: 1.0 to 80.0 ft [10.0ft], 0.5 ft step
MANUAL SETUP	G) INPUT MODE	FRONT L	: 3.00m	meters: 0.30 to 24.00 m [3.00m], 0.10 m step
		FRONT R	: 3.00m	
MANUAL SETUP	A) I/O ASSIGNMENT (J model)	CENTER	: 3.00m	
		SURR L	: 3.00m	
MANUAL SETUP	B) MEMORY GUARD	SURR R	: 3.00m	
		SB	: 2.10m	
MANUAL SETUP	C) INPUT RENAME	SWFR	: 3.00m	
		100Hz 0dB	
MANUAL SETUP	D) DISPLAY SET	300Hz 0dB	
		1kHz 0dB	
MANUAL SETUP	E) LFE LEVEL	3kHz 0dB	
		10kHz 0dB	-6.0 dB to +6.0 dB [0.0 dB], 0.5 dB step
MANUAL SETUP	F) DYNAMIC RANGE	TEST	: OFF	[OFF] / ON
		SPEAKER LFE	: 0dB	-20 dB to 0 dB [0 dB], 1 dB step
MANUAL SETUP	G) AUDIO SET	HEADPHONE LFE	: 0dB	-20 dB to 0 dB [0 dB], 1 dB step
		SPEAKER		MIN / STD / [MAX]
MANUAL SETUP	A) I/O ASSIGNMENT (U, C, R, T, K, A, B, G, E, L models)	HEADPHONE		MIN / STD / [MAX]
		MUTING TYPE	: FULL	[FULL] / -20 dB
MANUAL SETUP	B) MEMORY GUARD	AUDIO DELAY	: 0ms	0 ms to 160 ms, 1 ms step
		TOPE BYPASS	: AUTO	[AUTO] / OFF
MANUAL SETUP	C) INPUT RENAME	DUAL MONO	: MAIN	[MAIN] / SUB / ALL (J model)
		CMPNT-V INPUT [A]		[DVD] / DTV/CBL / V-AUX / VCR / DVR
MANUAL SETUP	D) DISPLAY SET	CMPNT-V INPUT [B]		DVD / [DTV/CBL] / V-AUX / VCR / DVR
		CMPNT-V INPUT [C]		DVD / DTV/CBL / V-AUX / VCR / [DVR]
MANUAL SETUP	E) XM RADIO SET (U model)	OPTICAL IN (1)		PHONO / CD / MD/CD-R / [DVD] / DTV/CBL / V-AUX / VCR / DVR
		OPTICAL IN (2)		PHONO / CD / MD/CD-R / DVD / [DTV/CBL] / V-AUX / VCR / DVR
MANUAL SETUP	F) DYNAMIC RANGE	COAXIAL IN (3)		PHONO / [CD] / MD/CD-R / DVD / DTV/CBL / V-AUX / VCR / DVR
		D4-V INPUT [A]		[DVD] / DTV/CBL / V-AUX / VCR / DVR
MANUAL SETUP	G) INPUT MODE	D4-V INPUT [B]		DVD / [DTV/CBL] / V-AUX / VCR / DVR
		D4-V INPUT [C]		DVD / DTV/CBL / V-AUX / VCR / [DVR]
MANUAL SETUP	A) I/O ASSIGNMENT (J model)	OPTICAL OUT (1)		PHONO / CD / [MD/CD-R] / DVD / DTV/CBL / V-AUX / VCR / DVR
		OPTICAL IN (2)		PHONO / CD / [MD/CD-R] / DVD / DTV/CBL / V-AUX / VCR / DVR
MANUAL SETUP	B) MEMORY GUARD	OPTICAL IN (3)		PHONO / CD / MD/CD-R / [DVD] / DTV/CBL / V-AUX / VCR / DVR
		OPTICAL IN (4)		PHONO / CD / MD/CD-R / DVD / [DTV/CBL] / V-AUX / VCR / DVR
MANUAL SETUP	C) INPUT RENAME			[AUTO] / LAST
				PHONO / CD / MD/CD-R / DVD / DTV/CBL / V-AUX / VCR / DVR
MANUAL SETUP	D) DISPLAY SET			-6.0dB to +6.0dB [0dB] 0.5dB step
				PHONO / CD / MD/CD-R / DVD / DTV/CBL / V-AUX / VCR / DVR
MANUAL SETUP	A) DISPLAY SET	DIMMER	: 0	-4 to 0 [0], 1 step
		VIDEO CONV.	: ON	OFF / [ON]
MANUAL SETUP	B) MEMORY GUARD	OSD SHIFT	: 0	-5 to +5, 1step
		GRAY BACK	: AUTO	OFF / [AUTO]
MANUAL SETUP	C) PARAM. INI	MEMORY GUARD	: OFF	[OFF] / ON
				STEREO / MUSIC / ENTERTAINMENT / MOVIE THEATER / STANDARD
MANUAL SETUP	D) MULTI ZONE SET	SP B	: FRONT	[FRONT] / ZONE B
		XM DISPLAY	: 10S	[10S] / 30S / OFF
MANUAL SETUP	E) XM RADIO SET (U model)	XM ANTENNA	: NONE	0% to 100 % / [NONE]
		SCROLL	: CONT	[CONT] / ONCE

INTERNAL VIEW



- ① OPERATION (4) P.C.B.
- ② FUNCTION (2) P.C.B.
- ③ FUNCTION (3) P.C.B. (R, L models)
- ④ DSP P.C.B.
- ⑤ MAIN (5) P.C.B.
- ⑥ MAIN (4) P.C.B.
- ⑦ OPERATION (2) P.C.B.
- ⑧ Tuner
- ⑨ YST P.C.B. (HTR-5935 model)
- ⑩ FUNCTION (1) P.C.B.
- ⑪ MAIN (1) P.C.B.
- ⑫ FUNCTION (4) P.C.B.
- ⑬ OPERATION (5) P.C.B.
- ⑭ OPERATION (6) P.C.B.
- ⑮ MAIN (2) P.C.B.
- ⑯ OPERATION (3) P.C.B.
- ⑰ Power Transformer
- ⑱ OPERATION (3) P.C.B.

DISASSEMBLY PROCEDURES / 分解手順

(Remove parts in the order as numbered.)
Disconnect the power cable from the AC outlet.

(番号順に部品を取り外してください。)
AC電源コンセントから、電源コードを抜いてください。

1. Removal of Top Cover

- a. Remove 4 screws (①), 5 screws (②) and 1 screw (③). (Fig. 1)
- b. Slide the Top Cover rearward to remove it. (Fig. 1)

1. トップカバーの外し方

- a. ①のネジ4本、②のネジ5本、③のネジ1本を外します。(Fig. 1)
- b. トップカバーを後方へスライドさせ、取り外します。(Fig. 1)

2. Removal of Front Panel Unit

- a. Remove 6 screws (④). (Fig. 1)
- b. Remove a push rivet (⑤). (Fig. 1)
- c. Remove the Barrier/FFC. (Fig. 1)
- d. Remove CB5, CB203, CB205 and CB310. (Fig. 1)
- e. Remove the Front Panel Unit. (Fig. 1)

2. フロントパネルユニットの外し方

- a. ④のネジ6本を外します。(Fig. 1)
- b. ⑤プッシュリベット1本を外します。(Fig. 1)
- c. バリアー/FFCを取り外します。(Fig. 1)
- d. CB5、CB203、CB205、CB310を外します。(Fig. 1)
- e. フロントパネルユニットを取り外します。(Fig. 1)

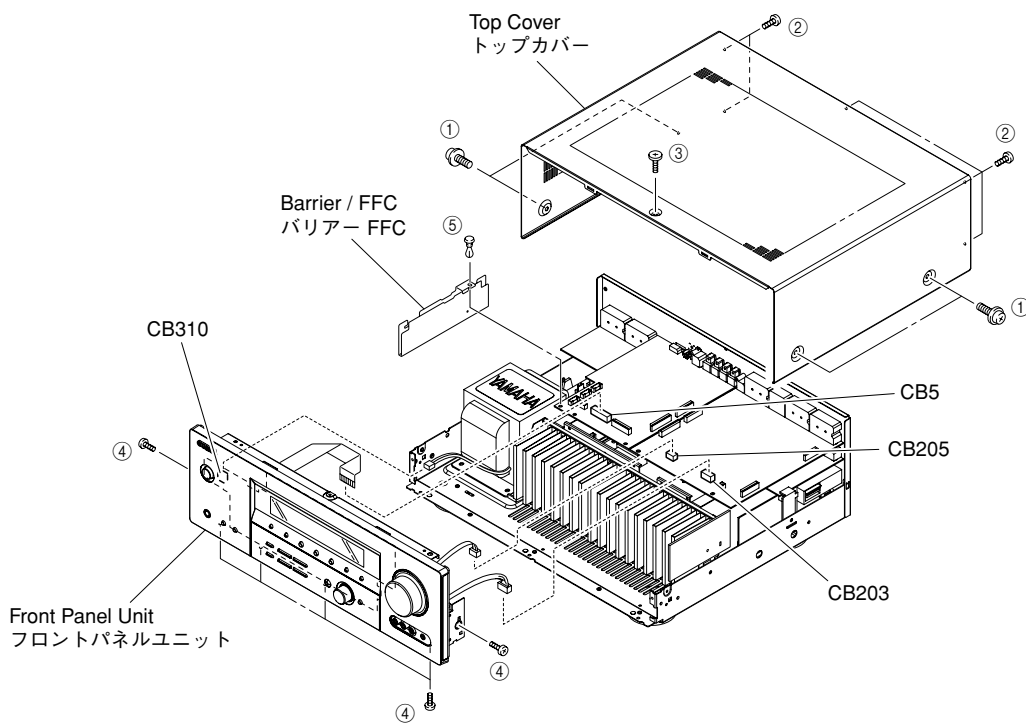


Fig. 1

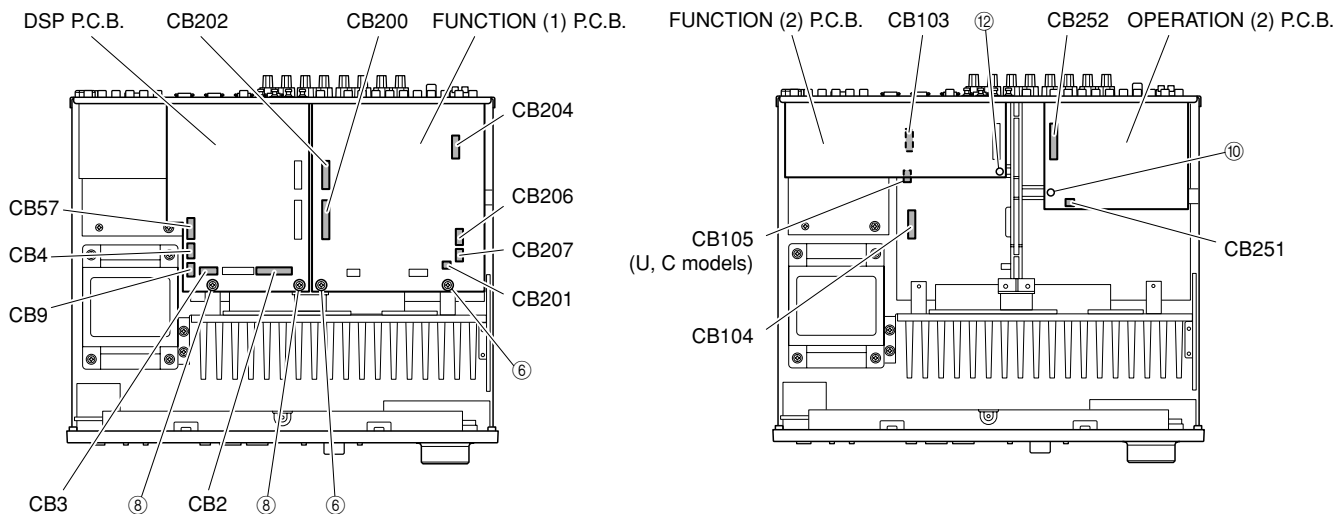


Fig. 2

Fig. 3

3. Removal of FUNCTION (1) P.C.B.

- Remove 2 screws (⑥). (Fig. 2)
- Remove 7 screws (⑦). (Fig. 4)
- Remove CB200-202, CB204, CB206 and CB207. (Fig. 2)
- Remove the FUNCTION (1) P.C.B.. (Fig. 2)

4. Removal of DSP P.C.B.

- Remove 2 screws (⑧). (Fig. 2)
- Remove 4 screws (U, C models) / 3 screws (R, T, K, A, G, E, L models) (⑨). (Fig. 4)
- Remove CB2-4, CB9 and CB57. (Fig. 2)
- Remove the DSP P.C.B.. (Fig. 2)

5. Removal of OPERATION (2) P.C.B.

- Remove 1 push rivet (⑩). (Fig. 3)
- Remove 6 screws (⑪). (Fig. 4)
- Remove CB251 and CB252. (Fig. 3)
- Remove the OPERATION (2) P.C.B.. (Fig. 3)

6. Removal of FUNCTION (2) P.C.B.

- Remove 1 push rivet (⑫). (Fig. 3)
- Remove 5 screws (⑬). (Fig. 4)
- Remove the FUNCTION (2) P.C.B.. (Fig. 3)

3. FUNCTION(1)P.C.B.の外し方

- ⑥のネジ2本を外します。(Fig. 2)
- ⑦のネジ7本を外します。(Fig. 4)
- CB200~202, CB204, CB206, CB207を外します。(Fig. 2)
- FUNCTION(1)P.C.B.を取り外します。(Fig. 2)

4. DSP P.C.B.の外し方

- ⑧のネジ2本を外します。(Fig. 2)
- ⑨のネジ5本を外します。(Fig. 4)
- CB2~4, CB9, CB57を外します。(Fig. 2)
- DSP P.C.B.を取り外します。(Fig. 2)

5. OPERATION(2)P.C.B.の外し方

- ⑩のプッシュリベット1本を外します。(Fig. 3)
- ⑪のネジ6本を外します。(Fig. 4)
- CB251, CB252を外します。(Fig. 3)
- OPERATION(2)P.C.B.を取り外します。(Fig. 3)

6. FUNCTION(2)P.C.B.の外し方

- ⑫のプッシュリベット1本を外します。(Fig. 3)
- ⑬のネジ5本を外します。(Fig. 4)
- FUNCTION(2)P.C.B.を取り外します。(Fig. 3)

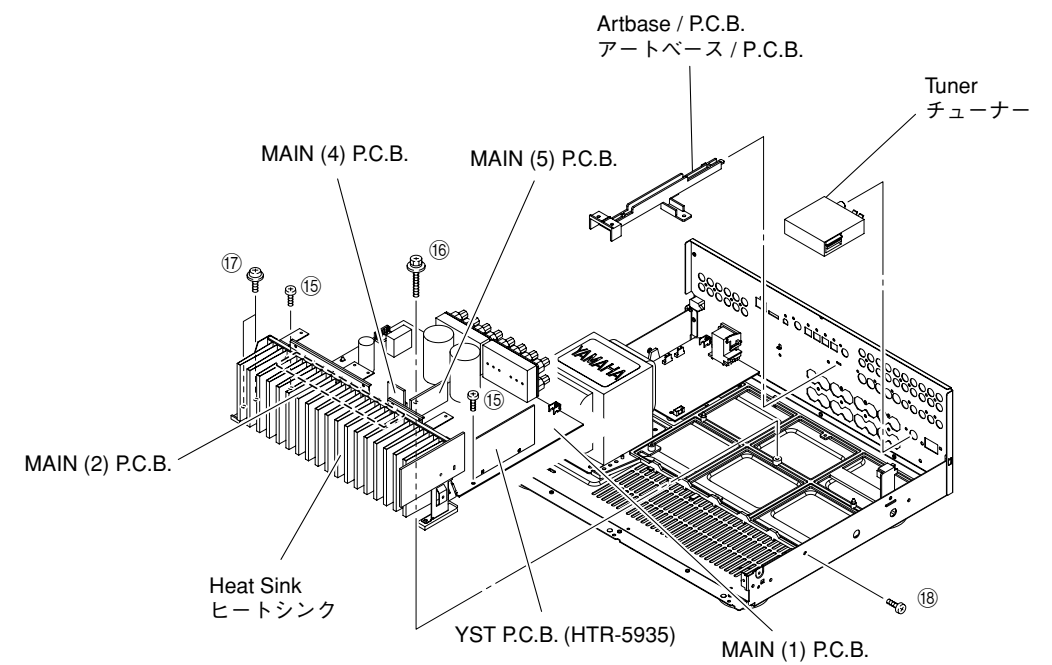


Fig. 5

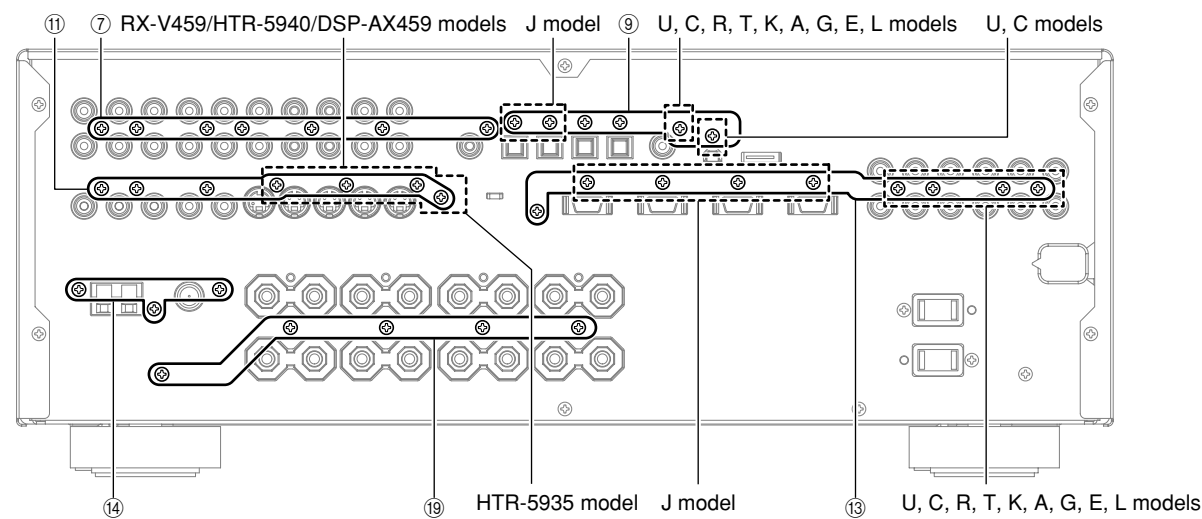


Fig. 4

7. Removal of TUNER

- Remove 3 screws (⑭). (Fig. 4)
- Remove the Tuner. (Fig. 5)

8. Removal of MAIN (1), (2), (4), (5) and YST (HTR-5835 model) P.C.B.s

- Remove the Artbase/P.C.B.. (Fig. 5)
- Remove 2 screws (⑮), 1 screw (⑯), 2 screws (⑰) and 1 screw (⑱). (Fig. 5)
- Remove 5 screws (⑲). (Fig. 4)
- Remove CB103, CB104 and CB105 (U, C models). (Fig. 3)
- Remove MAIN (1), (2), (4), (5) and YST (HTR-5835 model) P.C.B.s together with the Heat Sink. (Fig. 5)

7. TUNERの外し方

- ⑭のネジ3本を外します。(Fig. 4)
- TUNERを取り外します。(Fig. 5)

8. MAIN(1)、(2)、(4)、(5)P.C.B.の外し方

- アートベース/PCBを取り外します。(Fig. 5)
- ⑮のネジ2本、⑯のネジ1本、⑰のネジ2本、⑱のネジ1本を外します。(Fig. 5)
- ⑲のネジ5本を外します。(Fig. 4)
- CB103, CB104を外します。(Fig. 3)
- MAIN(1)、(2)、(4)、(5)P.C.B.をヒートシンクと一緒に取り外します。(Fig. 5)

When checking the P.C.B.:

- Put a Cloth over the equipment. Put the P.C.B.s together with the Heat Sink upright on the Cloth and check them. (Fig. 6)
- Reconnect all cables (connectors) that have been disconnected.
- When connecting the flat cable, use care for the polarity.
- The P.C.B. removed from the chassis does not work because its grounding is loose. Be sure to connect the ground of Rear Panel, MAIN (1) P.C.B. (G1001) and OPERATION (4) P.C.B. (G3001) to the chassis with a ground lead or the like. (Fig. 6)

P.C.B.チェックする場合

- 布を敷きます。その上にP.C.B.をヒートシンクと一緒に立ててチェックします。(Fig. 6)
- 外したケーブル(コネクタ)をすべて接続してください。
- フラットケーブルを接続する際、極性に注意してください。
- シャーシから外したP.C.B.はアースが浮いて動作しませんので、MAIN(1)P.C.B.(G1001)、OPERATION(4)P.C.B.(G3001)のアースをリード線等でシャーシまたはGNDに接続してください。(Fig. 6)

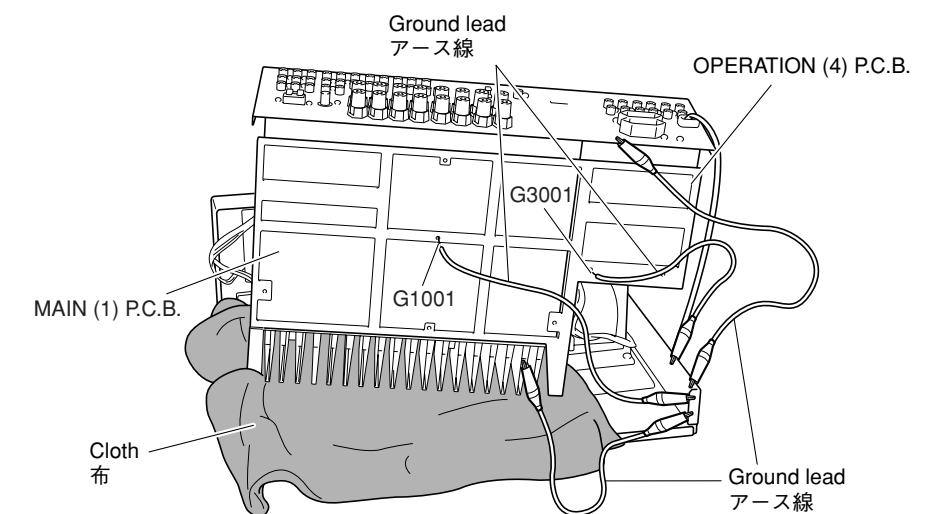


Fig. 6

■ SELF DIAGNOSIS FUNCTION (DIAG) / 自己診断機能 (ダイヤグ)

This unit has self diagnosis functions that are intended for inspection, measurement and location of faulty point.

There are 23 DIAG menu items, each of which has sub-menu items.

Listed in the table below are menu items and sub-menu items.

Note that not all menu items listed will apply to the models covered in this service manual.

本機には、検査、測定、不良個所の発見を目的にした自己診断機能(ダイヤグ)があります。

ダイヤグメニューは23個あり、そのそれぞれにサブメニューがあります。(ダイヤグのメニュー操作は本体で行います。) 下表はメニュー一覧です。

下表の全メニュー項目が、このサービスマニュアル記載のモデルに適用されるとは限りません。

No.	MAIN MENU	SUB MENU
1	BYPASS	1. ANALOG BYPASS 2. DSP BYPASS
2	RAM THR	1. RAM MARGIN 2. RAM FULL BIT
3	PRO LOGIC	1. Pro Logic
4	SPEAKERS SET	1. FRONT : SMALL 0dB 2. CENTER : NONE 3. LFE/B : FRNT 4. Pres Mix : 5ch 5. Front GAIN 1 6. Front GAIN 2 7. SURR B Check
5	XCH-INPUT	1. XCH_INPUT_6 2. XCH_INPUT_8 3. LIMIT SET (Not applied to these models / このモデルには適用されません)
6	MIC CHECK (Not applied to these models / このモデルには適用されません)	1. MIC CHECK --dB
7	DISPLAY CHECK	1. STRAIGHT (Initial display) 2. VFD DISP OFF 3. VFD DISP ALL 4. VFD DIMMER 5. CHECK PATTERN
8	MANUAL TEST	1. TEST ALL 2. TEST FRNT L 3. TEST CENTER 4. TEST FRNT R 5. TEST SURR R 6. TEST SB R (Not applied to these models / このモデルには適用されません) 7. TEST SB L 8. TEST SURR L 9. TEST PRES L (Not applied to these models / このモデルには適用されません) 10. TEST PRES R (Not applied to these models / このモデルには適用されません) 11. TEST LFE
9	FACTORY PRESET	1. PRESET INHI (memory initialization inhibited) 2. PRESET RSRV (memory initialized)
10	AD DATA CHECK	1. PS1/PS2 2. DC/TH 3. IMP SW/POWER LIMITER DISP 4. PANEL KEY
11	VIDEO (Not applied to these models / このモデルには適用されません)	1. I2C Read Check 2. DIGITAL THR CVBS 3. DIGITAL THR Y/C 4. ANALOG BYPASS 5. TEST PATTERN 6. LOOP BACK CVBS 7. LOOP BACK Y/C
12	XM STATUS (U,C models)	1. 1k -1dB / 44.1k 2. 1k -61dB / 44.1k 3. Mute / 44.1k 4. XM Tone / 44.1k 5. ISO Tone / 44.1k 6. 1k -1dB / 32k 7. 1k -61dB / 32k 8. Mute / 32k

No.	MAIN MENU	SUB MENU
		9. XM Tone / 32k 10. ISO Tone / 32k 11. XM / DT Bus Power : OFF
13	iPod	1. DOCK : OK/NG
16	IF STATUS	1. DSP STATUS (5Byte) 2. DECODE MODE (2Byte) (Not applied to these models / このモデルには適用されません) 3. DIR INFO (5Byte) (Not applied to these models / このモデルには適用されません) 4. Pc (2Byte) (Not applied to these models / このモデルには適用されません) 5. CHS 1 (5Byte) (Not applied to these models / このモデルには適用されません) 6. CHS 2 (1Byte) (Not applied to these models / このモデルには適用されません) 7. DEC INFO (5Byte) (Not applied to these models / このモデルには適用されません) 8. BSI 1 (5Byte) (Not applied to these models / このモデルには適用されません) 9. BSI 2 (5Byte) (Not applied to these models / このモデルには適用されません) 10. BSI 3 (5Byte) (Not applied to these models / このモデルには適用されません) 11. BSI 4 (5Byte) (Not applied to these models / このモデルには適用されません) 12. BSI 5 (5Byte) (Not applied to these models / このモデルには適用されません) 13. BSI 6 (5Byte) (Not applied to these models / このモデルには適用されません) 14. BSI 7 (5Byte) (Not applied to these models / このモデルには適用されません) 15. BSI 8 (1Byte) (Not applied to these models / このモデルには適用されません) 16. Mute Trigger (5Byte) (Not applied to these models / このモデルには適用されません) 17. Digital Info (5Byte) (Not applied to these models / このモデルには適用されません)
17	DSP BUS CHECK	1. TI (DSP) BUS CHECK 2. RDS IC CHECK
18	SWFR CUT OFF (HTR-5935 model)	1. L CUT OFF 2. H CUT OFF
19	PROTECTION SETTING (Not applied to these models / このモデルには適用されません)	1. PS L 2. PS H 3. DC L 4. DC H 5. TEMP 6. PL_J_8_L 7. PL_J_8_H 8. PL_U_8_L 9. PL_U_8_H 10. PL_U_N_L 11. PL_U_N_H 12. PL_G_8_L 13. PL_G_8_H 14. PL_G_N_L 15. PL_G_N_H
20	PROTECTION HISTORY	1. HISTORY 1 2. HISTORY 2 3. HISTORY 3 4. HISTORY 4
21	SOFT SW	1. SW MODE : PCB/MODEL/FNC 2. MODEL : 759SE-5935 3. DEST. : J/UC/R/T/K/A/BGE/L 4. TUNER DEST : J/UC/ATKBG/RL 5. TUNER TYPE : NRM/RDS/XM 6. VIDEO FORMAT : NTSC/PAL 7. ZONE2 EXIST : EXIST/NOT 8. AAC EXIST : EXIST/NOT 9. TUNER EXIST : EXIST/NOT 10. ZONE2 AMP EXIST : EXIST/NOT 11. OSD EXIST : EXIST/NOT 12. YPAO EXIST : EXIST/NOT
22	ROM VER / SUM / PORT	1. MICROPROCESSOR VERSION 2. SUM ALL / PROGRAM 3. OPE / DSP / XM VERSION 4. PORT 5. TI (DSP) FLASH VERSION 6. TI (DSP) FLASH SUM 7. EEPROM SUM
23	TI (DSP) BOOT (Not applied to these models / このモデルには適用されません)	1. TI (DSP) FLASH BOOT

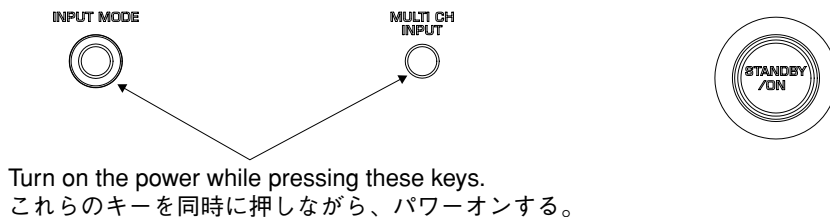
• Starting DIAG

Press the "STANDBY/ON" key while simultaneously pressing those two keys of the main unit as indicated in the figure below.

● ダイアグの起動

本体の下図に示すキーを同時に押しながら "STANDBY/ON" キーを押すと、ダイアグが起動します。

Keys of main unit / 本体キー



• Starting DIAG in the protection cancel mode

If the protection function works and causes hindrance to trouble diagnosis, cancel the protection function as described below, and it will be possible to enter the DIAG mode. (The protection functions other than the excess current detect function will be disabled.)

Press the "STANDBY/ON" key while simultaneously pressing those two keys indicated in the figure above. At this time, keep pressing those two keys for 3 seconds or longer.

In this mode, the "SLEEP" segment of the FL display of the main unit flashes to indicate that the mode is DIAG mode with the protection functions disabled.

● プロテクション解除モードでの起動

プロテクションが動作することにより、故障箇所の診断に支障をきたすような場合は、次の方法によりプロテクションを解除した状態でダイアグモードに入ることができます。(過電流検出以外のプロテクション動作を解除する)

上図のキーを同時に押しながら "STANDBY/ON" キーを押します。このとき、上図のキーを3秒以上押し続けてください。このモードでは本体FLの "SLEEP" セグメントが点滅し、プロテクションを解除した状態でのダイアグモードであることを知らせます。

CAUTION!

Using this product with the protection function disabled may cause damage to itself. Use special care for this point when using this mode.

注意!

プロテクションを解除した状態でのダイアグモードは、危険な状態でもプロテクションが作動しないため、動作させると、機器を破壊することがあります。このモードを使用する場合は十分注意してください。

• Canceling DIAG

- ① Before canceling DIAG, execute setting for FACTORY PRESET of DIAG menu No.9 (Memory initialization inhibited or Memory initialized).
 - * In order to keep the user memory stored, be sure to select PRESET INHIBITED (Memory initialization inhibited).
- ② Turn off the power by pressing the "STANDBY/ON" key of the main unit.

● ダイアグの解除

- ① ダイアグを解除する前に、ダイアグメニューNo.9のFACTORY PRESET (メモリーの初期化禁止/またはメモリーの初期化)の設定をします。
 - ※ ユーザーメモリーを保持したい場合は、必ずPRESET INHIBITED (メモリー初期化禁止)を選択してください。
- ② 本体の "STANDBY/ON" キーを押し、パワーオフにします。

● Display provided when DIAG started

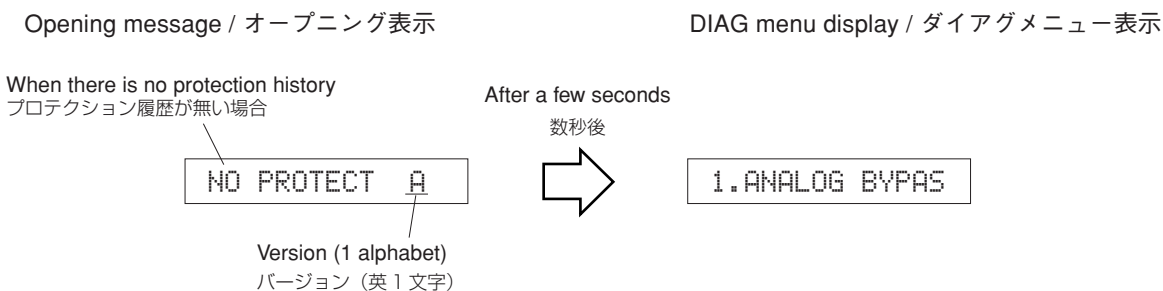
On the FL display of the main unit, an opening message (including the version and the protection history) appears for a few seconds followed by the diagnostic menu display (1. ANALOG BYPASS).

● ダイアグ起動時の表示

本体FLディスプレイには、オープニング(プロテクション履歴/バージョン)が表示され、数秒後にダイアグメニュー表示(1. ANALOG BYPASS)となります。

When there is no history of protection function:

プロテクション履歴が無い場合：



When there is a history of protection function:

The FL display appears as shown below depending on the type of the protection function.

プロテクション履歴がある場合：

プロテクションの種類によって下記の表示が現れます。

The protection function worked due to excessive current through the amplifier. Causes could be a short at the speaker terminal or a defect in the amplifier. The protection function activates immediately to turn off the power, with no history display at turn-on, if the amplifier is defective.

I PROTECT A

スピーカーをショートさせた時などが原因で、プロテクションが働いたことを示します。

The protection function worked due to a defect or overload in the power supply. If the power is turned on with the abnormality unsolved, the protection function works in about 1 second to turn off the power.

PS1 PRT:000 A
or
PS2 PRT:000 A

電源電圧による原因で、プロテクションが働いたことを示します。異常状態のままパワーオンすると、約1秒後にプロテクションが掛かり、電源が切れます。

The protection function worked due to a DC voltage appearing at the speaker terminal. A cause could be a defect in the amplifier. If the power is turned on with the abnormality unsolved, the protection function works in about 3 seconds to turn off the power.

DC PRT:000 A

アンプの故障でスピーカーに直流電圧が掛かるなどが原因で、プロテクションが働いたことを示します。異常状態のままパワーオンすると、約3秒後にプロテクションが掛かり、電源が切れます。

The protection function worked due to the temperature limit being exceeded. Causes could be poor ventilation or a defect related to the thermal sensor. If the power is turned on with the abnormality unsolved, the protection function works in about 1 second to turn off the power.

TMP PRT:000 A

温度制限を越えた原因で、プロテクションが働いたことを示します。異常状態のままパワーオンすると、約1秒後にプロテクションが掛かり、電源が切れます。

For detection of each protection function (except I-PROTECT) , refer to DIAG MENU No.10 AD DATA.

各プロテクションの検出に関しては、後述のダイアグメニュー No. 10 AD DATAを参照してください。

History of protection function

When the protection function has worked, its history is stored in memory with a backup. Even if no abnormality is noted while servicing the unit, an abnormality which has occurred previously can be defined as long as the backup data has been stored.

The history of the protection function is cleared when DIAG is cancelled by selecting PRESET RESERVED (Memory initialized) of DIAG menu No.9 or when the backup data is erased.

プロテクションの履歴

プロテクションが働いた場合、履歴をバックアップして記憶しています。サービスのときに異常が認められなくても、バックアップが残っていれば、お客様のところで起きた異常を区別できます。

ダイアグメニュー No.9 で PRESET RESERVED (メモリーの初期化) を選んでダイアグを解除した場合、またはバックアップが消えた場合に、プロテクションの履歴はクリアされます。

● Display during menu operation

During the DIAG operation, the menu list described in the section of the startup screen appears on the monitor screen and the function at work is indicated on the FL indicator. The contents displayed during the function operation are described later in the "Details of DIAG menu" section.

● メニュー動作中の表示

ダイアグ中、モニター画面には起動画面の項で説明したメニュー一覧が表示されます。本体のFL ディスプレイには動作中の機能が表示されます。機能動作中の表示内容については、後述の機能詳細で記述します。

● Operation procedure of DIAG menu and SUB-MENU

There are 23 MENU items, each of which has some SUB-MENU items.

● ダイアグメニューとサブメニューの操作

ダイアグにはNo.1～23のメニューがあり、そのそれぞれにサブメニューがあります。

DIAG menu selection

Main unit: Select the menu using ▷ (Forward) and ◁ (Reverse) keys of PROGRAM.

ダイアグメニューの選択

本体キーでの操作：PROGRAM ▷ (順送り)、◁ (逆送り)キーで選択します。

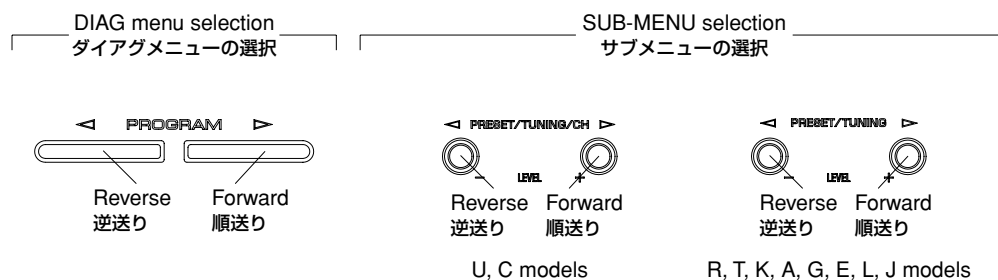
SUB-MENU selection

Main unit: Select the sub-menu using ▷ (Forward) and ◁ (Reverse) keys of PRESET/TUNING.

サブメニューの選択

本体キーでの操作：PRESET/TUNING ▷ (順送り)、◁ (逆送り)キーで選択します。

Keys of main unit / 本体キー



● Functions in DIAG mode

In addition to the DIAG menu items, functions as listed below are available.

- Input selection
 - Center/Rear/Rear Center/Sub-woofer level adjustment
 - Speaker relay control of A and B
 - Muting
 - Power on/off
 - Master volume
- * Functions related to the tuner and the set menu are not available.
- * It is possible to confirm Menu No.16 IF STATUS while keeping the signal process (operation status) of each DIAG menu by using the INPUT MODE key of the main unit.

● Initial settings used to start DIAG

The following settings are used when starting DIAG.

When DIAG is canceled, these settings are restored to those before starting DIAG.

- Master volume: -20 dB
- Input: DVD (MULTI CH INPUT OFF)
- Effect level: 0 dB
- Audio mute: OFF
- Speaker relay of A and B: ON
- Speaker setting: LARGE / BASS OUT = SWFR
- DIAG menu: BYPASS (1. ANALOG BYPASS)

● ダイアグ中の機能

ダイアグメニューの他に、以下の機能が動作します。

- ・ インプット切り換え
- ・ センター、リア、リアセンター、サブウーファーレベル調整
- ・ スピーカーリレーA/B
- ・ ミューティング
- ・ パワーオン/オフ
- ・ マスターボリューム

※ チューナー関連、セットメニュー関連は機能しません。

※ 本体のINPUT MODEキーにより、各ダイアグメニューの信号処理(動作状態)を維持したままメニューNo.16 "IF STATUS"の確認ができます。

● ダイアグ開始時の初期設定

ダイアグ開始時に以下のような設定になります。ダイアグ解除時にはダイアグ開始前の状態に戻ります。

- ・ マスターボリューム：-20 dB
- ・ インプット：DVD (MULTI CH INPUT オフ)
- ・ エフェクトレベル：0 dB
- ・ オーディオミュート：オフ
- ・ スピーカーリレーA/B：ON
- ・ スピーカー設定：LARGE / BASS OUT = SWFR
- ・ ダイアグメニュー：BYPASS (1. ANALOG BYPASS)

● Details of DIAG menu

● ダイアグメニュー詳細

1. BYPASS

Using the sub-menu, it is possible to select analog bypass output or DSP bypass output.

1. BYPASS

サブメニューによりANALOG BYPASS/DSP BYPASSが選択可能です。

ANALOG BYPASS

ANALOG BYPASS

1. ANALOG BYPAS

Reference data

INPUT: DVD ANALOG

SUBWOOFER OUTPUT: 50 Hz, Others: 1 kHz

Input level	Volume	SPEAKERS OUT				SUBWOOFER OUTPUT
		FRONT L/R	CENTER	SURROUND L/R	SURROUND BACK L/R	
Both ch, -20 dBm	+6.0 dB	+13.0 dBm	- ∞	- ∞	- ∞	- ∞

DSP BYPASS

DSP BYPASS

1. DSP BYPASS

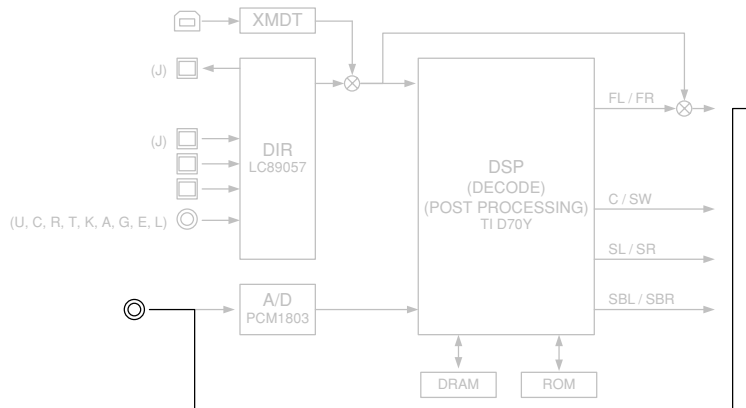
Reference data

INPUT: DVD ANALOG

SUBWOOFER OUTPUT: 50 Hz, Others: 1 kHz

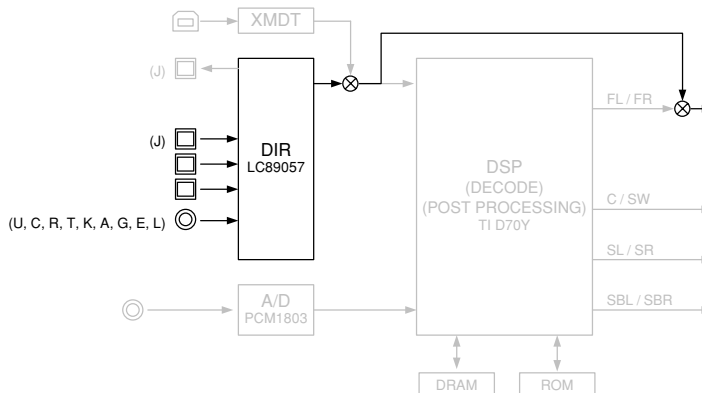
Input level	Volume	SPEAKERS OUT				SUBWOOFER OUTPUT
		FRONT L/R	CENTER	SURROUND L/R	SURROUND BACK L/R	
Both ch, -20 dBm	+6.0 dB	+13.5 dBm	- ∞	- ∞	- ∞	- ∞

ANALOG BYPASS



(Shaded items not used in this example)

DSP BYPASS



(Shaded items not used in this example)

2. RAM THROUGH

Using the sub-menu, it is possible to select margin output or full-bit output.

RAM MARGIN

Following head margin is reserved.

FRONT	CENTER	SURROUND	SURROUND BACK	SUBWOOFER
+15.0 dB	+13.5 dB	+9.0 dB	+7.5 dB	+21.0 dB

2. RAM MARGIN

Reference data

INPUT: DVD ANALOG

SUBWOOFER OUTPUT: 50 Hz, Others: 1 kHz

Input level	Volume	SPEAKERS OUT				SUBWOOFER OUTPUT
		FRONT L/R	CENTER	SURROUND L/R	SURROUND BACK L/R	
Both ch, -20 dBm	+6.0 dB	+13.5 dBm	+13.5 dBm	+13.5 dBm	+13.5 dBm	+2.0 dBm

RAM FULL BIT

No head margin is reserved except SW.

FRONT	CENTER	SURROUND	SURROUND BACK	SUBWOOFER
0 dB	0 dB	0 dB	0 dB	+21 dB

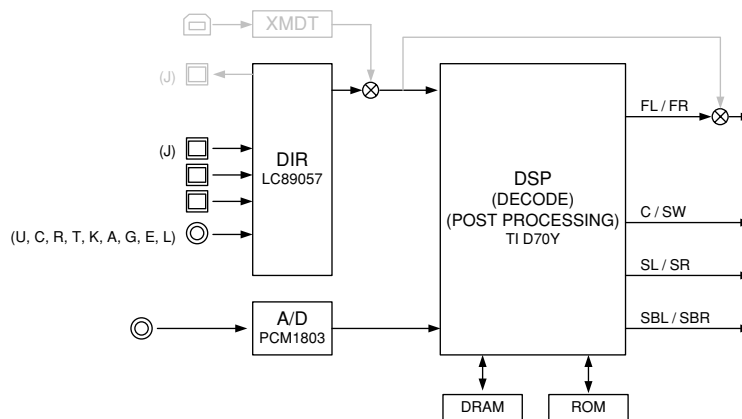
2. RAM FULL BIT

Reference data

INPUT: DVD ANALOG

SUBWOOFER OUTPUT: 50 Hz, Others: 1 kHz

Input level	Volume	SPEAKERS OUT				SUBWOOFER OUTPUT
		FRONT L/R	CENTER	SURROUND L/R	SURROUND BACK L/R	
Both ch, -20 dBm	+6.0 dB	+13.5 dBm	+13.5 dBm	+13.5 dBm	+13.5 dBm	+2.0 dBm



(Shaded items not used in this example)

When input source is stereo, signal is assigned as below.
2ch信号入力時、以下のように信号を振り分けて出力します。

- Front L → Center / Surround L / Surround Back L, R
- Front R → Surround R
- Front L +10 dB → SWFR

2. RAM THROUGH

サブメニューによりMARGIN/Full Bitが選択可能です。

RAM MARGIN

以下のヘッドマージンを取ります。

RAM FULL BIT

SW以外のヘッドマージンを取りません。

3. PRO LOGIC

Dolby PRO LOGIC is applied to input stereo source.

3. PRO LOGIC

入力2ch信号にDolby PRO LOGIC処理を行います。

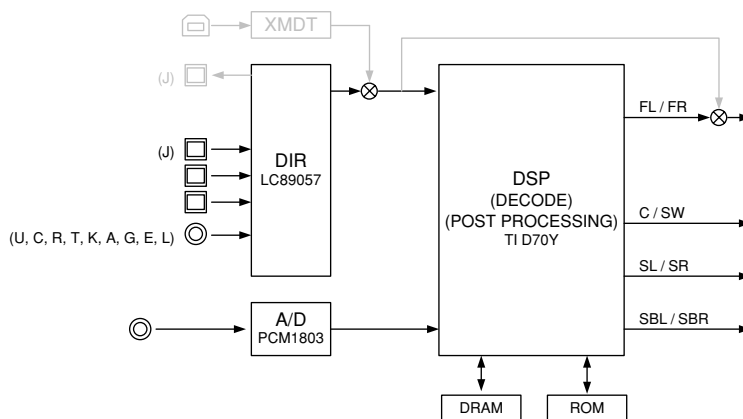
3. PRO LOGIC

Reference data

INPUT: DVD ANALOG

SUBWOOFER OUTPUT: 50 Hz, Others: 1 kHz

Input level	Volume	SPEAKERS OUT				SUBWOOFER OUTPUT
		FRONT L/R	CENTER	SURROUND L/R	SURROUND BACK L/R	
Each ch, -20 dBm	+6.0 dB	+13.5 dBm	- ∞	- ∞	- ∞	- ∞
Both ch, -20 dBm	+6.0 dB	-20.0 dBm	+16.5 dBm	- ∞	- ∞	- ∞



(Shaded items not used in this example)

4. SPEAKERS SET

The analog switch settings for each sub-menu are as shown in the table below.

4. SPEAKERS SET

各サブメニューにおけるアナログスイッチの設定は以下の通りです。

Sub-menu		FRONT L/R	CENTER	SUR. L/R	SUR.B L/R	LFE/BASS
1	FRNT: SML 0 dB	SMALL	LARGE	LARGE	LARGE	SWFR
2	CENTER: NONE	LARGE	NONE	LARGE	LARGE	SWFR
3	LFE/B: FRNT	LARGE	SMALL	SMALL	SMALL	FRONT
4	Pre Mix: 5ch	-	-	-	-	-
5	Front GAIN 1	-	-	-	-	-
6	Front GAIN 2	-	-	-	-	-
7	SURR B Check	-	-	-	-	-

LARGE: This mode is used with a speaker with high bass reproduction performance (a large unit). Full bandwidth signals are output.

SMALL: This mode is used with a speaker with low bass reproduction performance (a small unit). The signals of 80 Hz or less are mixed into the channel specified by LFE/BASS.

NONE: This mode is used with no center speaker. The center content is reduced by 3 dB and distributed to FRONT L/R.

SWFR: LFE of 5.1ch signal or LFE/BASS lower than 90Hz is output through SUBWOOFER OUT.

FRONT: LFE of 5.1ch signal or LFE/BASS lower than 90Hz is distributed to FRONT L/R.

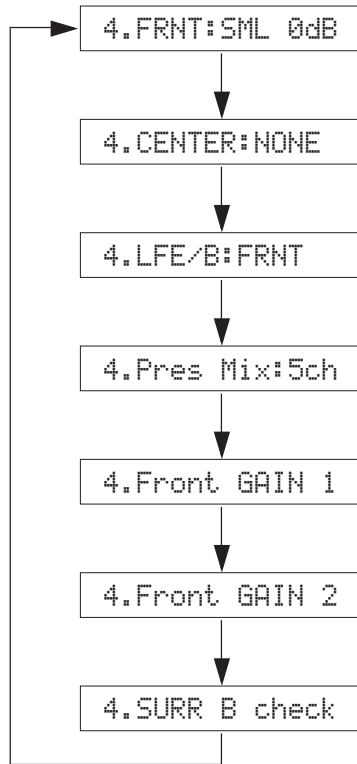
LARGE: 低音再生能力の高い(ユニットの大きい)スピーカーを使用するモードです。全帯域が出力されます。

SMALL: 低音再生能力の低い(ユニットの小さい)スピーカーを使用するモードです。80 Hz以下がLFE/BASSで指定したチャンネルにミックスされます。

NONE: スピーカーを使用しないモードです。センター成分は-3 dBされて、FRONT L/R に振り分けられます。

SWFR: 5.1ch信号のLFEまたは90Hz以下のLFE/BASSがSUBWOOFER OUTに出力されます。

FRONT: 5.1ch信号のLFEまたは90Hz以下のLFE/BASSをFRONT L/Rに振り分けます。



Reference data

INPUT: DVD ANALOG (Both ch)

SUBWOOFER OUTPUT: 50 Hz, Others: 1 kHz

	Sub-menu	Input level	Volume	SPEAKER OUT				SUBWOOFER OUTPUT
				FRONT L/R	CENTER	SURROUND L/R	SURROUND BACK L/R	
1	FRONT: SML 0dB	Both ch, -20 dBm	+6.0 dB	+13.5 dBm	+13.5 dBm	+13.5 dBm	+13.5 dBm	+5.5 dBm
2	CENTER: NONE	Both ch, -20 dBm	+6.0 dB	+10.5 dBm	- ∞	+13.5 dBm	+13.5 dBm	+2.0 dBm
3	LFE/B: FRNT (1 kHz)	Both ch, -20 dBm	+6.0 dB	- ∞	+13.5 dBm	+13.5 dBm	+13.5 dBm	- ∞
	LFE/B: FRNT (50 Hz)	Both ch, -20 dBm	+6.0 dB	+20.5 dBm	+13.5 dBm	+13.5 dBm	+13.5 dBm	- ∞
4	Pres Mix: 5ch	Both ch, -20 dBm	+6.0 dB	- ∞	+13.5 dBm	+18.5 dBm	- ∞	-0.5 dBm
5	Front Gain 1	Both ch, -20 dBm	+6.0 dB	+20.5 dBm	+13.5 dBm	+13.5 dBm	+13.5 dBm	+2.0 dBm
6	Front Gain 2	Both ch, -20 dBm	+6.0 dB	+20.5 dBm	+13.5 dBm	+13.5 dBm	+13.5 dBm	+2.0 dBm
7	SURR B check	Both ch, -20 dBm	+6.0 dB	- ∞	- ∞	- ∞	+13.5 dBm	- ∞

5. XCH INPUT

The signal input through the multi ch input is output.
The speaker impedance can be selected.

XCH INPUT_6 (ohms)

5.XCH INPUT_6

Reference data

INPUT: MULTI CH INPUT

SUBWOOFER OUTPUT: 50 Hz, Others: 1 kHz

Input level	Volume	SPEAKERS OUT				SUBWOOFER OUTPUT
		FRONT L/R	CENTER	SURROUND L/R	SURROUND BACK L/R	
Both ch, -20 dBm	+6.0 dB	+13.5 dBm	+13.5 dBm	+13.5 dBm	- ∞	-10.0 dBm

5. XCH INPUT

マルチCH入力された信号が出力されます。
6オーム、8オームが選択されます。

XCH INPUT_6(ohms)

XCH INPUT_8 (ohms)

5.XCH INPUT_8

Reference data

INPUT: MULTI CH INPUT

SUBWOOFER OUTPUT: 50 Hz, Others: 1 kHz

Input level	Volume	SPEAKERS OUT				SUBWOOFER OUTPUT
		FRONT L/R	CENTER	SURROUND L/R	SURROUND BACK L/R	
Both ch, -20 dBm	+6.0 dB	+13.5 dBm	+13.5 dBm	+13.5 dBm	- ∞	-10.0 dBm

XCH INPUT_8(ohms)

LIMIT SET

Not applied to these models.

XXXXXXXXXXXX__

LIMIT SET

このモデルには適用されません。

6. MIC CHECK

Not applied to these models.

6.MIC CHK --dB

6. MIC CHECK

このモデルには適用されません。

7. DISPLAY CHECK

This program is used to check the FL display section. The display condition varies as shown below according to the sub-menu operation.

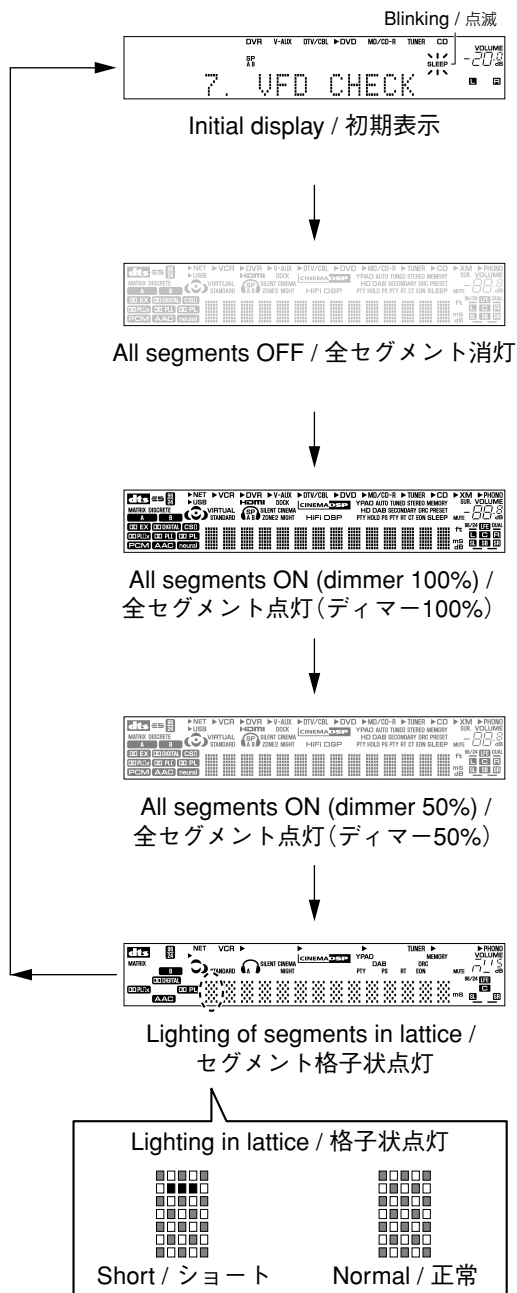
The signal route is STRAIGHT.

7. DISPLAY CHECK

FL表示部のチェックプログラムです。サブメニュー操作により、表示状態が以下のように変わります。

信号処理はSTRAIGHTです。

Checking FL display section / FL表示部のチェック



Segment conditions of the FL driver and the FL tube are checked by turning ON and OFF all segments. Next, the operation of the FL driver is checked by using the dimmer control. Then a short between segments next to each other is checked by turning ON and OFF all segments alternately (in lattice). (In the above example, the segments in the second row from the top are shorted.)

全セグメント消灯・全セグメント点灯によりFLドライバー、FL管のセグメントの不良を確認します。

次に、ディマーコントロールによってFLドライバーの動作チェックを行います。

さらに全セグメントを交互(格子状)に点灯/消灯することで、隣り合うセグメントのショートをチェックします。

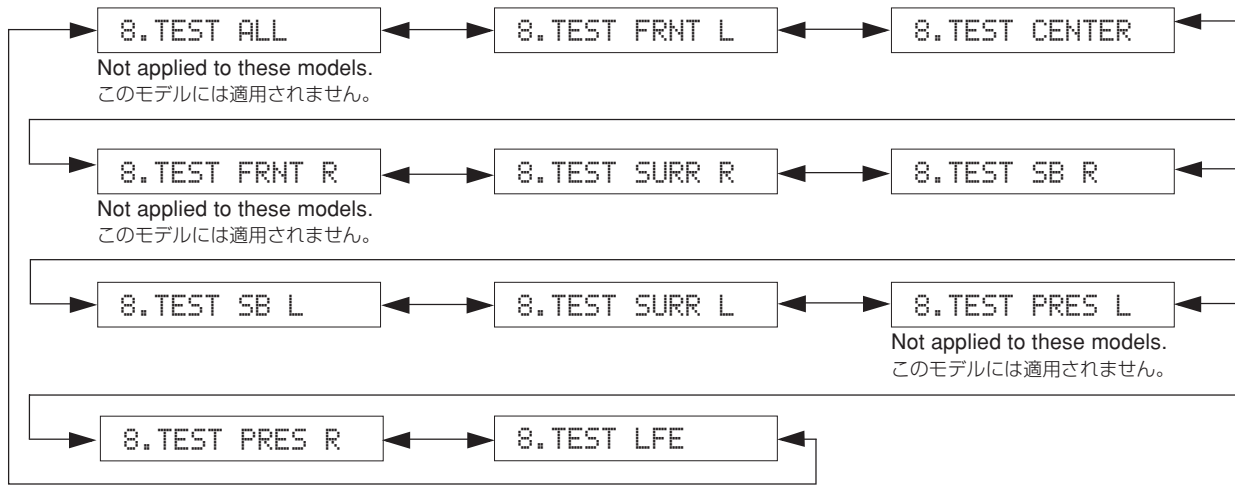
(上図の例では、上から2行目のセグメントがショートしています。)

8. MANUAL TEST

The test noise based THX is output to the channel specified by the sub-menu from the DSP.
The noise frequency for LFE is 35 to 250 Hz. Other than that, the center frequency is 800 Hz.

8. MANUAL TEST

DSPからサブメニューで指定したチャンネルへTHX準拠のテストノイズを出力します。
LFE用のノイズ周波数は35～250 Hz、それ以外は中心周波数800 Hzとなります。

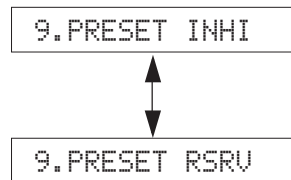


9. FACTORY PRESET

This menu is used to reserve/inhibit initialization of the backup RAM (Parameters and set menu contents, etc. of the sound field program).

9. FACTORY PRESET

バックアップ用RAM (音場プログラムのパラメーターやセットメニュー内容など)の初期化を予約/禁止します。



PRESET INHIBIT (Initialization inhibited) / PRESET INHIBIT (初期化禁止)

RAM initialization is not executed. Select this sub-menu to protect the values set by the user.

Note: The protection history will not be erased using PRESET INHIBIT.

RAMの初期化は行われません。ユーザーの設定値を保護するときは、こちらを選択してください。

PRESET RESERVED (Initialization reserved) / PRESET RESERVED (初期化予約)

Initialization of the back-up RAM is reserved. (Actually, initialization is executed the next time that the power is turned on.) Select this sub-menu to reset to the original factory settings or to reset the RAM. Use PRESET RESERVED to erase the protection history.

バックアップRAMの初期化が予約されます。(実際に初期化されるのは、次回の電源投入時です。)工場出荷時やRAMをリセットしたいときは、こちらを選択してください。

CAUTION: Before setting to the PRESET RESERVED, write down the existing preset memory. Content of the Tuner in a table as shown below. (This is because setting to the PRESET RESERVED will cause ALL user memory contents to be erased.)

注意：PRESET RESERVEDを選んで初期化をする前に、チューナーのユーザーメモリー内容を下表に書き写してください。(初期化をすると、ユーザーメモリーの内容は消えてしまいます。)

Preset group	P1	P2	P3	P4	P5	P6	P7	P8
A								
B								
C								
D								
E								

• PRESET STATIONS / プリセット局

STATION		FM FACTORY PRESET DATA (MHz)		
PAGE	NO.	U, C	R, T, K, A, G, E, L	J
A/C/E	1	87.5	87.50	76.0
	2	90.1	90.10	83.0
	3	95.1	95.10	84.0
	4	98.1	98.10	86.0
	5	107.9	108.00	90.0
	6	88.1	88.10	78.0
	7	106.1	106.10	88.0
	8	107.9	108.00	82.1

STATION		AM FACTORY PRESET DATA (kHz)		
PAGE	NO.	U, C, R, T, K	A, G, E, L	J
B/D	1	630	630	630
	2	1080	1080	1080
	3	1440	1440	1440
	4	530	531	531
	5	1710	1611	1611
	6	900	900	900
	7	1350	1350	1350
	8	1400	1404	1404

10. AD DATA CHECK

This menu is used to display the A/D conversion value of the Microprocessor which detects panel keys of the main unit and protection functions in using the sub-menu. During audio signal processing, the condition before execution is maintained.

When K0/K1 menu is selected, keys become non-operable due to detection of the values of all keys. However, it is possible to advance to the next sub-menu by turning the VOLUME of the main unit. When using this function, note that turning the VOLUME more than 1 click would cause the volume value to change.

* The figures in the diagram are given as reference only.

PS1/PS2 (Power supply voltage protection detection)

Power supply voltage protection value (Normal value: PS1: 17 to 66, PS2: 25 to 46)

PS1: Detects +5S and +5.3X (U, C models).

PS2: Detects ±12V, ±5V, +5D, +3.3D and +5i.

* If PS is out of the normal value range, the protection function works to turn off the power.

(Reference voltage: 5 V=100 %)

PS1:039 2:044

DC/TH (protection detection/temperature detection)

DC: DC detect protection value (Normal value: 5 to 36)

* If DC is out of the normal value range, the protection function works to turn off the power.

(Reference voltage: 5 V=100 %)

TH: Detects the temperatur of the heat sink.

Temperature detected value

(Normal value: 9 to 177) U, C, T, K, A, G, E, J models

(Normal value: 9 to 167) R, L models

(Reference voltage: 5 V=255)

DC:007 TH098

10. AD DATA CHECK

本機パネルキー、プロテクションなどを検出しているMicroprocessorのA/D変換の値を、サブメニューで表示します。オーディオ信号処理は実行前の状態を維持します。

K0/K1のメニューにすると、全キーの値を検出するためキー操作はできなくなりますが、本機のVOLUMEを回すことにより、次のサブメニューに進めることができます。このとき1クリック以上回すと、ボリューム値が変化するので注意してください。

※ 図中の数値は参考例です。

PS1/PS2 (電源電圧プロテクションの検出)

プロテクションの値(正常値 PS1: 17~66、PS2: 25~46)

PS1 : +5Sを検出しています。

PS2 : ±12V、±5V、+5D、+3.3D、+5iを検出しています。

※ PSは正常値を外れるとプロテクションが働き、電源オフされます。

(基準電圧 : 5V=100%)

DC/TH (プロテクションの検出/温度検出)

DC : DC検出プロテクションの値(正常値5~36)

※ DCは正常値を外れるとプロテクションが働き、電源オフされます。

(基準電圧 : 5V=100%)

TH : ヒートシンクの温度を検出しています。

温度検出値

(正常値: 9~177)

(基準電圧 : 5V=255)

IMP SW/POWER LIMIT (impedance/power limiter detection)

IMP: Not applied to these models.

PL: Power limiter detection value

The voltage value of pin No. 92 of IC451 is displayed, using 5V/256 as standard.

The port (No. 3) output is controlled by using the input voltage value of pin No. 92 of IC451.

IMP SW/POWER LIMIT (インピーダンス/パワーリミッターの検出)

IMP: このモデルには適用されません。

PL: パワーリミッター検出の値

IC451 92ピンの入力電圧値を5V/256を基準にして表示します。IC451 92ピンの入力電圧値により、ポート(3ピン)を制御します。

IMP:8 PL:245

PANEL KEY (K0/K1)

(Panel key of main unit) [Remote control code: -]

A/D of the key fails to function properly when the standard value is deviated by ± 8 . In this case, check the constant of partial pressure resistor, solder condition, etc. Refer to table.

(Reference voltage: 5 V=100 %)

PANEL KEY (K0/K1)

(本機パネルキー)

キーのA/Dは基準値から ± 8 を外れると、正常な動きをしません。下表をご覧になり、各キーの分圧抵抗の定数、ハンダ不良等の確認をしてください。

(基準電圧: 5V=100%)

K0:100 K1:100

Display (%)	K0	K1
0 - 6	◁ PROGRAM	—
7 - 13	PROGRAM ▷	—
14 - 21	BASS/TREBLE -	—
22 - 31	BASS/TREBLE +	—
32 - 41	INPUT MODE	MULTI CH INPUT
42 - 53	STRAIGHT	FM/AM
54 - 63	TONE CONTROL	A/B/C/D/E
64 - 72	PRESET/TUNING	◁ PRESET
73 - 80	SPEAKERS B	PRESET ▷
81 - 88	SPEAKERS A	MEMORY
89 - 95	—	TUNING MODE
96 - 100	KEY OFF	KEY OFF

11. VIDEO

Not applied to these models.

11. VIDEO

このモデルには適用されません。

12. XM STATUS (U, C models)

Perform the output check of XM Radio Antenna connected to the XM terminal.

12. XM STATUS(U, C models)

XM端子に接続された、XM Radio Antennaの出力チェックを行います。

1k -1dB/44.1k

The test tone (1kHz, -1dB/44.1kHz) is output.

1k -1dB/44.1k

テストトーン(1kHz、-1dB/44.1kHz)を出力します。

1k - 1dB/44

1k -61dB/44.1k

The test tone (1kHz, -61dB/44.1kHz) is output.

1k -61dB/44.1k

テストトーン(1kHz、-61dB/44.1kHz)を出力します。

1k -61dB/44

Mute /44.1k

Nothing is output.

Mute /44.1k

何も出力されません。

Mute /44

XM Tone/44.1k

The XM tone (44.1kHz) is output.

XM Tone/44.1k

XMトーン(44.1kHz)を出力します。

XM Tone/44

ISO Tone/44.1k

The ISO tone (44.1kHz) is output.

ISO Tone/44.1k

ISOトーン(44.1kHz)を出力します。

ISO Tone/44

1k -1dB/32k

The test tone (1kHz, -1dB/32kHz) is output.

1k -1dB/32k

テストトーン(1kHz、-1dB/32kHz)を出力します。

1k - 1dB/32

1k -61dB/32k

The test tone (1kHz, -61dB/32kHz) is output.

1k -61dB/32k

テストトーン(1kHz、-61dB/32kHz)を出力します。

1k -61dB/32

Mute /32k

Nothing is output.

Mute /32k

何も出力されません。

Mute /32

XM Tone/32k

The XM tone (32kHz) is output.

XM Tone/32k

XMトーン(32kHz)を出力します。

XM Tone/32

ISO Tone/32k

The ISO tone (32kHz) is output.

ISO Tone/32k

ISOトーン(32kHz)を出力します。

ISO Tone/32

XM/DT Bus Power: OFF

The power of XM module is turned off.

XM/DT Bus Power: OFF

XMモジュールの電源をOFFします。

Bus Power:OFF

13. iPod

Not applied to these models.

13. iPod

このモデルには適用されません。

13. DOCK:NG NNN

16. IF STATUS (Input function status)

Using the sub-menu, the status data is displayed one after another in the hexadecimal notation.

During signal processing, the status before execution of this menu is maintained.

* Numeric values in the figure example are for reference.

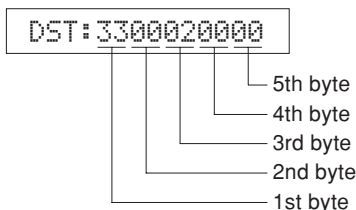
DST: DSP status

16. IF STATUS

サブメニュー操作により、以下のステータス情報を順次16進数で表示します。信号処理は、本メニュー実行前の状態を維持します。

※図中の数値は参考例です。

DST : DSPステータス



<1st byte> Digital input/output setting value
Upper 4 bits: REC OUT selected /
lower 4 bits: INPUT selected

<第1バイト>デジタル入出力設定値
上位4 bit REC OUT選択 /
下位4 bit INPUT選択

Value	Choice	Preset name
0	NONE	—
1	OPT FRONT	—
2	OPT 1	MD/CD-R
3	OPT 2	DVD
4	OPT 3	DTV/CBL
8	COAX 1	CD
9	COAX 2	—

DSP-AX459 model

RX-V459/HTR-5940/HTR-5935 models

<2nd byte> / <第2バイト>
Fs information of reproduction signal /
再生信号のFs情報

<3rd byte> / <第3バイト>
Audio code mode information of
reproduction signal /
再生信号のオーディオコードモード情報

<4th byte> / <第4バイト>
Format information of reproduction signal /
再生信号のフォーマット情報

Display	Fs (kHz)
00	Analog
01	32 kHz
02	44.1 kHz
03	48 kHz
04	64 kHz
05	88.2 kHz
06	96 kHz
07	128 kHz
08	176.4 kHz
09	192 kHz
0A	Unknown NRM
0B	Unknown DBL
0C	Unknown QUAD
0D	Unknown
0E	Undefined

Display	Audio code
00	1+1
01	1/0
02	2/0
03	3/0
04	2/1
05	3/1
06	2/2
07	3/2
08	2/3
09	3/3
0A	3/4
0B	over 6.1
0C	Milti-Mono
0D	Milti-PCE
0E	Unknown
0F	Undefined

Display	Signal format
00	Analog
01	Err
10	PCM Audio
20	Digital Data
21	IEC1937
22	None PCM
23	Unknown
50	dts
51	dts-CD
52	dts 96/24
54	dts-ES (Matrix)
58	dts-ES (Discrete)
5C	dts-ES (Both)
60	AAC
C0	Dolby Digital
C1	Dolby Digital Karaoke
C4	Dolby Digital EX
FF	Undefined

<5th byte> / <第5バイト>

Signal processing status information /

信号処理ステータス情報

bit	Fs (kHz)
bit 7	Digital mute
bit 6	—
bit 5	6.1 (7.1) processing
bit 4	Analog mute
bit 3	—
bit 2	PCM through
bit 1	—
bit 0	dts analog mute

DMD: Decoder mode information

Not applied to these models.

DMD: デコーダー情報

このモデルには適用されません。

DMD:03C00000

DIF: DIR information

Not applied to these models.

DIF: DIR情報

このモデルには適用されません。

DIF:0001000600

PC: Preamble C information

Not applied to these models.

PC: Preamble C情報

このモデルには適用されません。

PC :0000

CS1, 2: Channel status information

Not applied to these models.

CS1, 2: チャンネルステータス情報

このモデルには適用されません。

CS1:0000000000

CS2:00

DEI: Decoder information

Not applied to these models.

DEI: デコーダー情報

このモデルには適用されません。

DEI:0808000600

BS1-8: Bit stream information

Not applied to these models.

BS1-8: ビットストリーム情報

このモデルには適用されません。

BS1:0000000000

BS8:00

MTT: Mute Trigger

Not applied to these models.

MTT: Mute Trigger

このモデルには適用されません。

MTT:0018001820

DGI: Digital information
Not applied to these models.

DGI: DIGITAL系情報
このモデルには適用されません。

DGI:EE6464F95E

17. DSP BUS CHECK

This menu is used to self-diagnose whether or not the bus connection for the TI (DA70Y) and the external ROM/RAM is made properly.
When no error is detected, "NoEr" appears on display.

TI BUS:NoEr

No error detected.
不良検出なし

or

TI BUS:Boot

When this indication is displayed with in seconds or displayed alternately "NoEr" and "Boot", it is highly possible that there are errors.
数秒間この状態、またはNoErと交互に表示される場合、異常が発生している可能性があります。

or

RDS IC:OK

No applied to these models.
このモデルは適用されません。

RDS IC:NG

17. DSP BUS CHECK

TI(DA70Y)と外付けROM/RAMとのバス接続の正否を自己診断します。
エラーが検出されなかった場合は、"NoEr"と表示されます。

18. SWFR CUT OFF (HTR-5935 model)

The cut off frequency setting of LFE.

Low-pass filter setting.
It can be selected 40 Hz to 200 Hz every 10 Hz by the STRAIGHT key.

High-pass filter setting.
It can be selected 40 Hz to 200 Hz every 10 Hz and through by the STRAIGHT key.

18. SWFR CUT OFF(HTR-5935 model)

LFE出力のカットオフ周波数を設定できます。

ローパスフィルタの設定です。
STRAIGHTキーにより、40 Hz~200 Hzまで10 Hz単位で変更できます。

ハイパスフィルタの設定です。
STRAIGHTキーにより、40 Hz~200 Hzまで10 Hz単位とスルーに変更できます。

18.LFE LPF 200

18.LFE HPF THR

19. PROTECTION SETTING

Not applied to these models.

19. PROTECTION SETTING

このモデルには適用されません。

PS_Lo: 0043

PL_6_N_H:0154

20. PROTECTION HISTORY

Four protection histories are display.

20. PROTECTION HISTORY

過去のプロテクション履歴を4つまで表示します。

20-1:NoPRT

20-4:NoPRT

21. SOFT SW

Note) Changing the function setting may hinder the proper operation.

This menu is used to switch the function settings on P.C.B. through the software so as to activate the product. The protection function follows the P.C.B. settings. When connected to AC or in the maker preset state, the unit is initialized to the P.C. B. setting. Display of each function after initialization varies depending on settings on P.C.B. The operation mode can be changed by selecting the sub-menu and then using the STRAIGHT key.

SW MODE: PCB, MODEL or FNC can be selected.

21.SW :PCB

MODEL SETTING: 759SE, V659, H5960, V559, H5950, V459 or H5935 can be selected. (SW MODE: Selectable when MODEL has been selected.)

21.MODEL:V459

DESTINATION: J, U, C, R, T, K, A, B, G (E) or L can be selected. (SW MODE: Selectable when MODEL has been selected.)

21.DEST :G

TUNER DESTINATION: J, UC, ABG or RL can be selected. (SW MODE: Selectable when FNC has been selected.)

21.TuDst:ABG

TUNER TYPE: NRM, RDS or XM can be selected. (SW MODE: Selectable when FNC has been selected.)

21.TuDyp:RDS

VIDEO FORMAT: NTSC or PAL can be selected. (SW MODE: Selectable when FNC has been selected.)

21.VIDEO:PAL

21. SOFT SW

注) 機能設定を変更した場合、正常に動作しないことがあります。

P.C.B.上の機能設定をソフト的に切り替えて、製品を動作させる機能です。

プロテクション機能は、P.C.B.の設定にしたがいます。AC接続またはメーカープリセットで、P.C.B.の設定に初期化されます。初期化後の各機能の表示は、P.C.B.上の設定によります。操作は、サブメニューを選んだ後、STRAIGHTキーで切り替えます。

SW MODE : PCB、MODELまたはFNCを選択できます。

MODEL SETTING : 759SE、V659、H5960、V559、H5950、V459、H5935のいずれかを選択できます。(SW MODE : MODEL時選択できます。)

DESTINATION : J、U、C、R、T、K、A、B、G(E)、Lのいずれかを選択できます。(SW MODE : MODEL時選択できます。)

TUNER DESTINATION : J、UC、ABG、RLのいずれかを選択できます。(SW MODE : FNC時選択できます。)

TUNER TYPE : NRM、RDS、XMのいずれかを選択できます。(SW MODE : FNC時選択できます。)

VIDEO FORMAT : NTSCまたはPALを選択できます。(SW MODE : FNC時選択できます。)

ZONE2: NOT or EXIST can be selected. (SW MODE:
Selectable when FNC has been selected.)

ZONE2 : NOTまたはEXISTを選択できます。(SW MODE :
FNC時選択できます。)

21.ZONE2:EXIST

AAC: NOT or EXIST can be selected. (SW MODE:
Selectable when FNC has been selected.)

AAC : NOTまたはEXISTを選択できます。(SW MODE : FNC
時選択できます。)

21.AAC :NOT

TUNER: NOT or EXIST can be selected. (SW MODE:
Selectable when FNC has been selected.)

TUNER : NOTまたはEXISTを選択できます。(SW MODE :
FNC時選択できます。)

21.TUNER:EXIST

ZONE2 AMP: NOT or EXIST can be selected. (SW
MODE: Selectable when FNC has been selected.)

ZONE2 AMP : NOTまたはEXISTを選択できます。(SW
MODE : FNC時選択できます。)

21.Z2Amp:NOT

OSD: NOT or EXIST can be selected. (SW MODE:
Selectable when FNC has been selected.)

OSD : NOTまたはEXISTを選択できます。(SW MODE : FNC
時選択できます。)

21.OSD :EXIST

YPAO: NOT or EXIST can be selected. (SW MODE:
Selectable when FNC has been selected.)

YPAO : NOTまたはEXISTを選択できます。(SW MODE :
FNC時選択できます。)

21.YPAO :NOT

22. SOFTWARE VERSION

The version, checksum and the port specified by the microprocessor are displayed. The signal is processed using EFFECT OFF. The checksum is obtained by adding the data at every 16 bits for each program area and expressing the result as a 4-figure hexadecimal data.

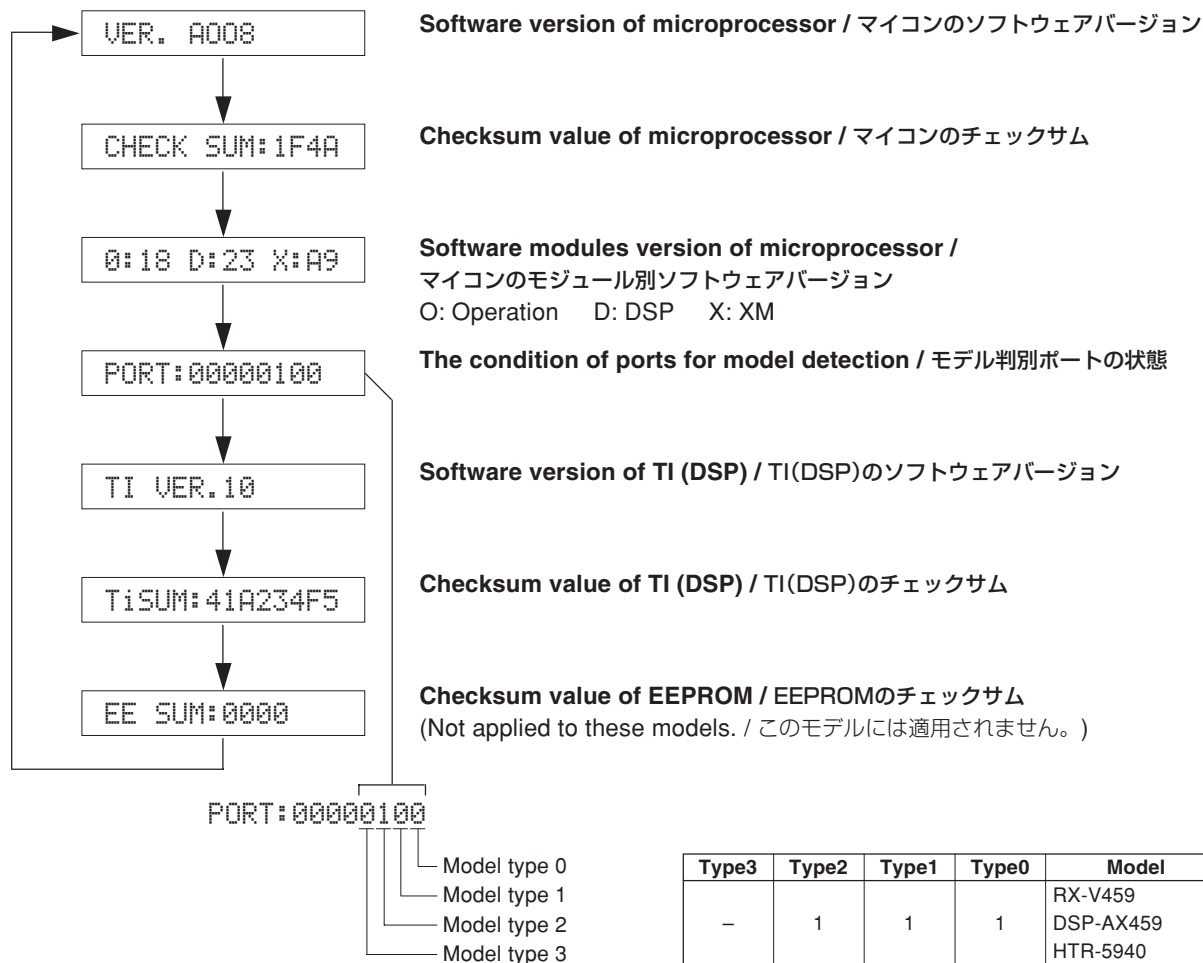
* Numeric values in the figure example are for reference.

22. SOFTWARE VERSION

ソフトウェアのバージョン、チェックサム、マイコンの指定ポートを表示します。

信号はエフェクトOFFです。チェックサムは、プログラムエリア別にデータを16ビットごとに加算していき、4桁の16進データで現したものです。

※図中の数値は参考例です。



23. TI (DSP) BOOT

The rewriting mode of TI (DSP) software.
(Not applied to these models.)

23. TI(DSP)BOOT

TI(DSP)のソフトウェア書き換えモードです。
(このモデルには適用されません。)

23.TI BOOT ?

■ AMP ADJUSTMENT / アンプ部調整

Confirmation of Idling Current of MAIN (1) P. C. B.

- Right after power is turned on, confirm that each measured voltage across the terminals of R1149 (FRONT Lch), R1150 (FRONT Rch), R1153 (CENTER), R1154 (SURROUND Lch), R1152 (SURROUND Rch), R1151 (SURROUND BACK) is between 0.1 mV and 10.0 mV.
- If it exceeds 10.0 mV, open (cutoff) R1104 (FRONT Lch), R1106 (FRONT Rch), R1112 (CENTER), R1114 (SURROUND Lch), R1110 (SURROUND Rch), R1108 (SURROUND BACK) and reconfirm the voltage.

Attention

If the measured voltage exceeds 10.0 mV. after an amplifier repair, first check for a defective component before cutting the bias resistor.

- Confirm that the voltage is 0.2 mV-15.0 mV. after 60 minutes.

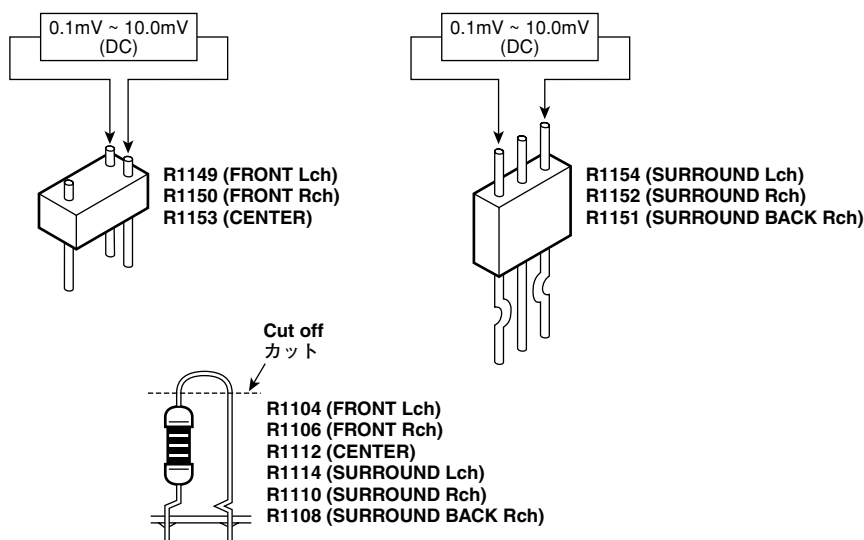
メイン(1)基板のアイドル電流の確認

- 電源投入直後、R1149(FRONT Lch)、R1150(FRONT Rch)、R1153(CENTER)、R1154(SURROUND Lch)、R1152(SURROUND Rch)、R1151(SURROUND BACK)の端子間電圧を測定し、0.1 mVから10.0 mVの間であることを確認してください。
- 電圧が10 mVを超えている場合は、R1104(FRONT Lch)、R1106(FRONT Rch)、R1112(CENTER)、R1114(SURROUND Lch)、R1110(SURROUND Rch)、R1108(SURROUND BACK)をカットし、電圧を再確認してください。

注意

パワーアンプ修理後に10.0 mV.を超えている場合は、抵抗をカットする前に故障箇所を調べてください。

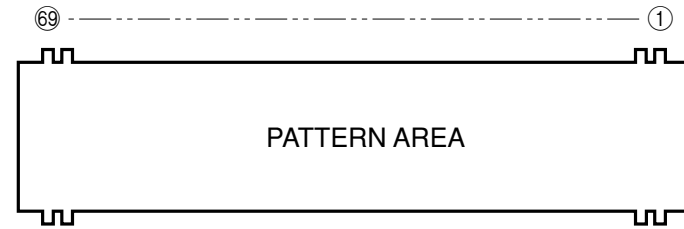
- 60分後、電圧が0.2 mV~15.0 mV.であることを確認してください。



RX-V459/HTR-5940/DSP-AX459

■ DISPLAY DATA

● V3000 : HNA-17MM03T (WG474000)



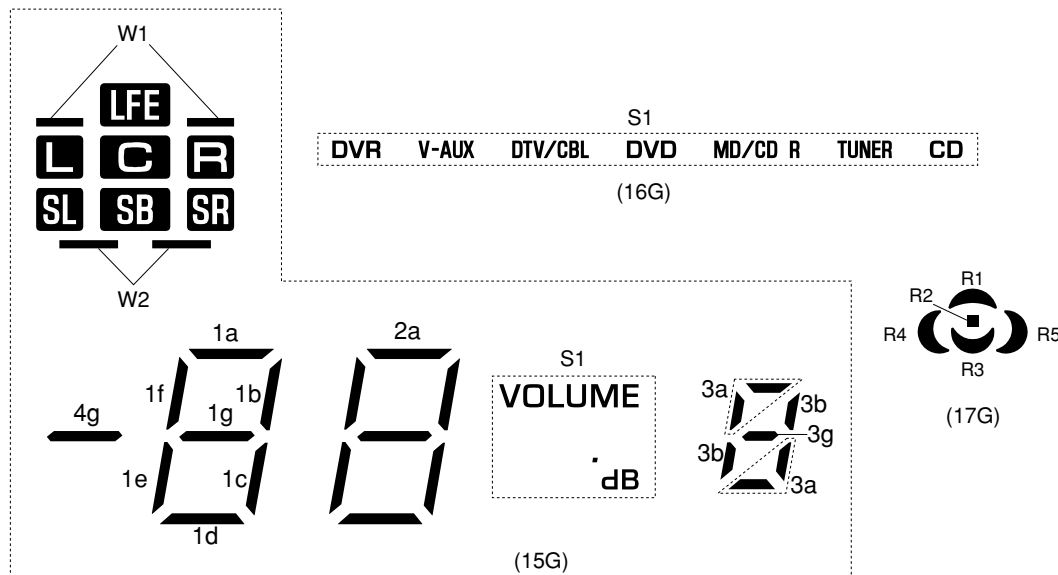
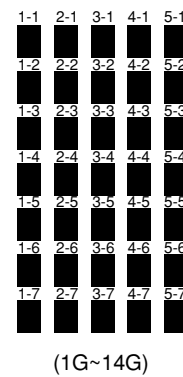
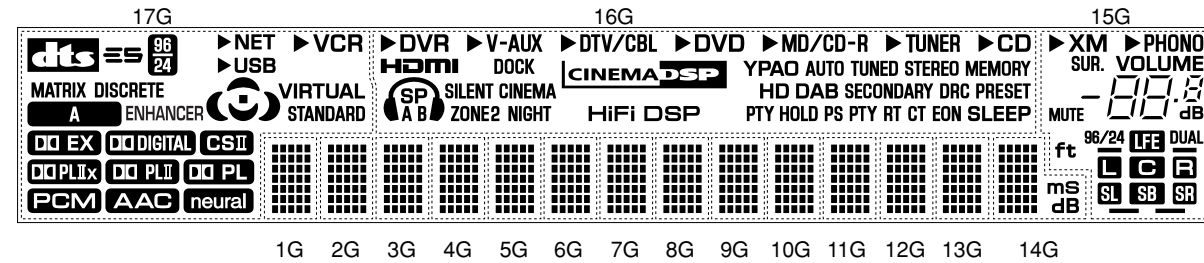
● PIN CONNECTION

Pin No.	69	68	67	66	65	64	63	62	61	60	59	58	57	56	55	54	53	52	51	50	49	48	47	46	45	44	43	42	41	40	39	38	37	36	35
Connection	F2	F2	NP	NP	P1	P2	P3	P4	P5	P6	P7	P8	P9	P10	P11	P12	P13	P14	P15	P16	P17	P18	P19	P20	P21	P22	P23	P24	P25	P26	P27	P28	P29	P30	P31

Pin No.	34	33	32	31	30	29	28	27	26	25	24	23	22	21	20	19	18	17	16	15	14	13	12	11	10	9	8	7	6	5	4	3	2	1
Connection	P32	P33	P34	P35	P36	P37	NX	NX	NX	NX	NX	NX	NX	17G	16G	15G	14G	13G	12G	11G	10G	9G	8G	7G	6G	5G	4G	3G	2G	1G	NP	NP	F1	F1

Note : 1) Fn Filament pin 2) nG Grid pin 3) Pn Anode pin 4) NP No pin 5) NX No extended pin

● GRID ASSIGNMENT



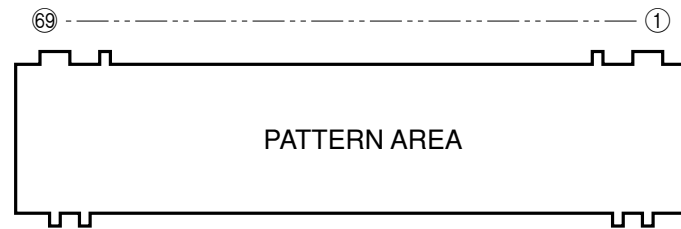
● ANODE CONNECTION

	17G	16G	15G	14G	13G~1G
P1	dts	S1	S1	1-1	1-1
P2	ES	▶ DVR	W1	2-1	2-1
P3	MATRIX	▶ V-AUX	W2	3-1	3-1
P4	DISCRETE	▶ DTV/CBL	4g	4-1	4-1
P5	96/24	▶ DVD	1a	5-1	5-1
P6	A	▶ MD/CD-R	1b	1-2	1-2
P7	ENHANCER	▶ TUNER	1c	2-2	2-2
P8	EX	▶ CD	1d	3-2	3-2
P9	DIGITAL	HDMI	1e	4-2	4-2
P10	CS II		1f	5-2	5-2
P11	PL Ix	SP	1g	1-3	1-3
P12	PL II	A	2a	2-3	2-3
P13	PL	B	2b	3-3	3-3
P14	PCM	SILENT CINEMA	2c	4-3	4-3
P15	AAC	ZONE2	2d	5-3	5-3
P16	neural	NIGHT	2e	1-4	1-4
P17	NET	DOCK	2f	2-4	2-4
P18	USB	CINEMA DSP	2g	3-4	3-4
P19	VCR	HIFI DSP	3g	4-4	4-4
P20	▶ NET	YPAO	3b	5-4	5-4
P21	▶ USB	AUTO	3a	1-5	1-5
P22	▶ VCR	TUNED	XM	2-5	2-5
P23	R1	STEREO	PHONO	3-5	3-5
P24	R2	MEMORY	▶ XM	4-5	4-5
P25	R3	HD	▶ PHONO	5-5	5-5
P26	R4	DAB	SUR.	1-6	1-6
P27	R5	SECONDARY	MUTE	2-6	2-6
P28	VIRTUAL	DRC	DUAL	3-6	3-6
P29	STANDARD	PRESET	96/24	4-6	4-6
P30	-	PTY HOLD	ft	5-6	5-6
P31	-	HOLD	LFE	1-7	1-7
P32	-	PS	L	2-7	2-7
P33	-	PTY	C	3-7	3-7
P34	-	RT	R	4-7	4-7
P35	-	CT	SL	5-7	5-7
P36	-	EON	SB	ms	-
P37	-	SLEEP	SR	dB	-

HTR-5935

■ DISPLAY DATA

● V3000 : 17-BT-26GNK (WG473900)



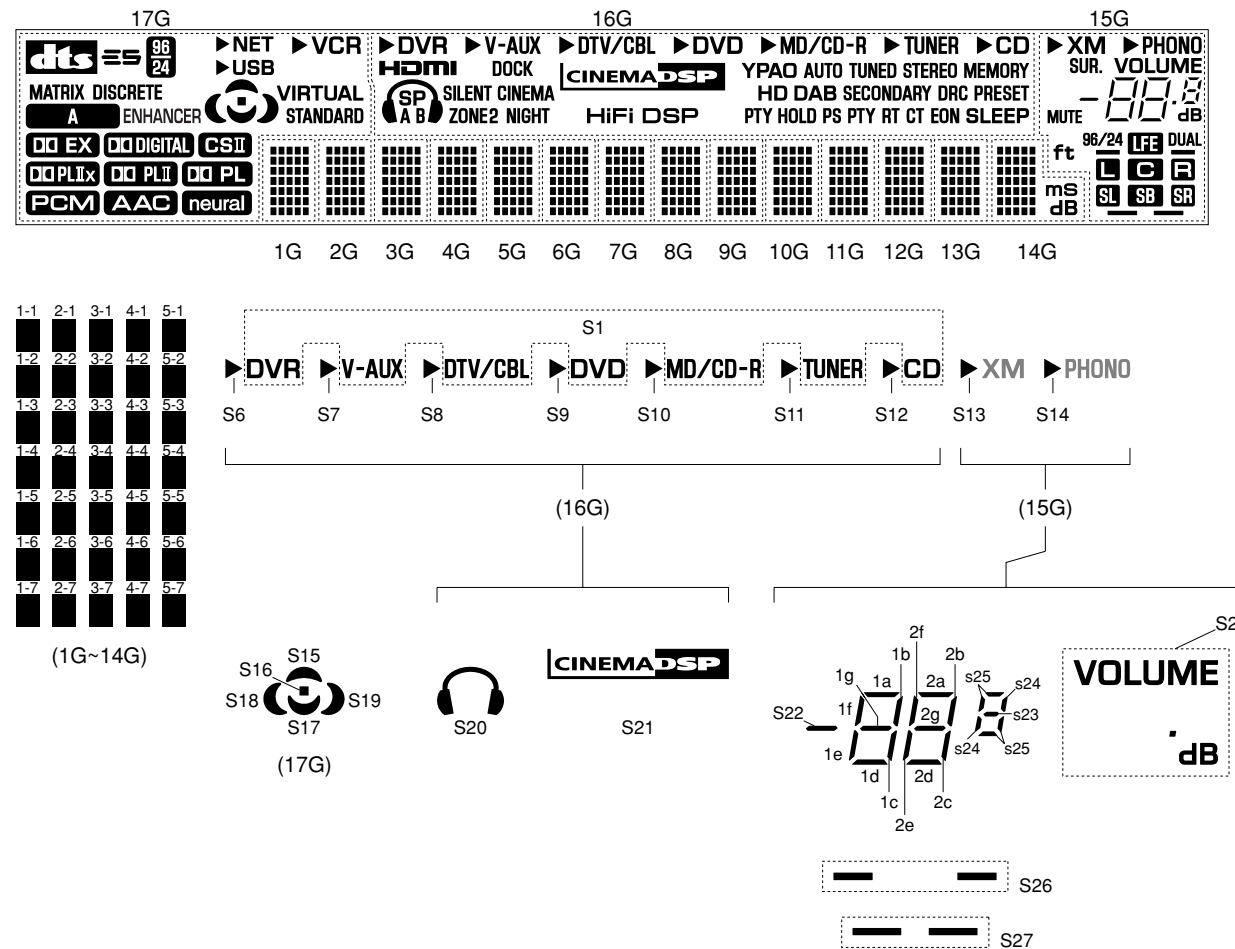
● PIN CONNECTION

Pin No.	69	68	67	66	65	64	63	62	61	60	59	58	57	56	55	54	53	52	51	50	49	48	47	46	45	44	43	42	41	40	39	38	37	36	35
Connection	F2	NX	NP	NP	P1	P2	P3	P4	P5	P6	P7	P8	P9	P10	P11	P12	P13	P14	P15	P16	P17	P18	P19	P20	P21	P22	P23	P24	P25	P26	P27	P28	P29	P30	P31

Pin No.	34	33	32	31	30	29	28	27	26	25	24	23	22	21	20	19	18	17	16	15	14	13	12	11	10	9	8	7	6	5	4	3	2	1
Connection	P32	P33	P34	P35	P36	P37	NX	NX	NX	NX	NX	NX	NX	17G	16G	15G	14G	13G	12G	11G	10G	9G	8G	7G	6G	5G	4G	3G	2G	1G	NP	NP	NX	F1

Note : 1) F1, F2 Filament pin 2) NP No pin 3) NX No extend pin 4) 1G~17G Grid pin

● GRID ASSIGNMENT



● ANODE CONNECTION

	1G~13G	14G	15G	16G	17G
1P	1-1	1-1	S2	S1	dtc
2P	2-1	2-1	S26	S6	ES
3P	3-1	3-1	S27	S7	MATRIX
4P	4-1	4-1	S22	S8	DISCRETE
5P	5-1	5-1	1a	S9	96/24
6P	1-2	1-2	1b	S10	A
7P	2-2	2-2	1c	S11	ENHANCER
8P	3-2	3-2	1d	S12	EX
9P	4-2	4-2	1e	HDMI	DIGITAL
10P	5-2	5-2	1f	S20	CSII
11P	1-3	1-3	1g	SP	PLIX
12P	2-3	2-3	2a	A	PLII
13P	3-3	3-3	2b	B	PL
14P	4-3	4-3	2c	SILENT CINEMA	PCM
15P	5-3	5-3	2d	ZONE2	AAC
16P	1-4	1-4	2e	NIGHT	neural
17P	2-4	2-4	2f	DOCK	NET
18P	3-4	3-4	2g	S21	USB
19P	4-4	4-4	S23	HiFi DSP	VCR
20P	5-4	5-4	S24	YPAO	S3
21P	1-5	1-5	S25	AUTO	S5
22P	2-5	2-5	XM	TUNED	S4
23P	3-5	3-5	PHONO	STEREO	S15
24P	4-5	4-5	S13	MEMORY	S16
25P	5-5	5-5	S14	HD	S17
26P	1-6	1-6	SUR.	DAB	S18
27P	2-6	2-6	MUTE	SECONDARY	S19
28P	3-6	3-6	DUAL	DRC	VIRTUAL
29P	4-6	4-6	96/24	PRESET	STANDARD
30P	5-6	5-6	ft	PTY HOLD	-
31P	1-7	1-7	LFE	HOLD	-
32P	2-7	2-7	L	PS	-
33P	3-7	3-7	C	PTY	-
34P	4-7	4-7	R	RT	-
35P	5-7	5-7	SL	CT	-
36P	-	ms	SB	EON	-
37P	-	dB	SR	SLEEP	-

IC2 : M30625MHP-A98GP (DSP P.C.B.)
Microprocessor

No.	Port Name	Terminal Name	I/O				Function
			PowerOn	Pure Direct	Standby	Sleep	
1	Vref	Vref	MCU		MCU	MCU	AD reference
2	Avcc	Avcc	MCU		MCU	MCU	AD power supply
3	P97/Adtrg/Sin4	CEFD	O		O	O	FL Driver CE
		MOD0			I		MODEL distinction 0
4	P96/ANEX1/SOUT4	DTFD	SO		O	O	FL Driver TxD
5	P95/ANEX0/CLK4	CKFD	SO		O	O	FL Driver CLOCK
6	P94/DA1/TB4in	LC	DA		O	O	Limiter control output
7	P93/DA0/TB3in	XMPWR	O		O	O	XM/DT BUS POWER CONTROL (U model)
8	P92/TB2in/SOUT3	SDM	SO		O	O	Serial data output to DIR, TI (DA70Y), DAC / DIR: 4M, LSBF/TI: 1M, MSBF
9	P91/TB1in/SIN3	SDD	SI		O	O	Serial data input from DIR, TI (DA70Y)
10	P90/TB0in/CLK3	SCK	SO		O	O	Serial clock output to DIR, TI (DA70Y) DAC
11	P141	/ICCNV	O	O	O	O	Reset I2C device of CONV
12	P140	NW_RST	O		O	O	Reset signal to Net-module
13	BYTE	BYTE	MCU		MCU	MCU	Vss : When single chip mode is used
14	CNVss	CNVss	MCU		MCU	MCU	Vss : When single chip mode is used, Vcc : When flash writing is used
15	P87/Xcin	MUTETI	O		O	O	MUTE of TI decoder DSP DA70Y (HI=MUTE)
16	P86/Xcout	/TIBUSY	I		O	O	TI BUSY detection / CDDA writing DATA input
17	/RESET	/RES	MCU		MCU	MCU	Reset
18	Xout	Xout	MCU		MCU	MCU	Oscillation output
19	Vss	Vss	MCU		MCU	MCU	Ground for microprocessor
20	Xin	Xin	MCU		MCU	MCU	Oscillation input
21	Vcc1	Vcc	MCU		MCU	MCU	Power supply +5V for microprocessor
22	P85/NMI	NMI	MCU		MCU	MCU	No used, connect Vss
23	P84/INT2	/INTTI	IRQ		O	O	Interrupt of TI decoder DSP DA70Y
24	P83/INT1	/INTDIR	IRQ		O	O	Interrupt of DIR
25	P82/INT0	/VSY	IRQ	O	O	O	
26	P81/TA4in/U	/CSDIR	O		O	O	Chip enable of DIR
27	P80/TA4out/U	/CSTI	O		O	O	Chip enable of TI decoder DSP DA70Y
28	P77/TA3in	/CSDAC	O		O	O	Chip enable of DAC (2ch/8ch common)
29	P76/TA3out	/ICDIR	O		O	O	DIR reset
30	P75/TA2in/W	/ICTI	O		O	O	Reset of TI decoder DSP DA70Y
31	P74/TA2out/W	/SPIRDY	I		O	O	TI DA601 Serial Ready / WCK input for CDDA writing
32	P73/CTS2/RTS2/TA1in/V	/CEEEP	O		O	O	EEPROM CE
33	P72/CLK2/TA1out/V	FET	O		O	O	Control of flash writing
34	P71/RXD2/SCL2/TA0in/TB5in	DRXM	SI		O	O	XMDT IC RxDU (U model)
35	P70/TXD2/SDA2/TA0out	DTXM	SO		O	O	XMDT IC TxDU
36	P67/TXD1/SDA1	SDA	SO	I	I	I	
		TXDF	SO				Data transmission terminal of AF220
37	Vcc1	Vcc	MCU		MCU	MCU	Power supply +5V for microprocessor
38	P66/RXD1/SCL1	SCL	SO	I	I	I	
		RXDF	SO				Flash ROM RxD
39	Vss	Vss	MCU		MCU	MCU	Ground for microprocessor
40	P65/CLK1	N.C.	O		O	O	
		CLKF	SO				Clock transmission terminal signal output for AF220
41	P64/CTS1/RTS1/CTS0/CLKS1	BSY	O				BUSY signal output for AF220
42	P63/TXD0/SDA0	TXDi	SO		O	O	serial data output for iPod
		TXDNW	SO		O	O	
43	P62/RXD0/SCL0	RXDi	SI		O	O	Serial data input for iPod
		RXDNW	SI		O	O	
44	P61/CLK0	iPEDET	I		O	O	iPod detection
45	P60/CTS0/RTS0	iPAP	I		O	O	iPod accessories power detection
46	P137	Z2RY	O		O	O	
		YST	O		O	O	YST amp control (HTR-5935 model)
47	P136	/4ohm	O		O	O	IMPEDANCE control / ±B voltage control
48	P135	SBRY	O		O	O	SURROUND BACK SP relay output
49	P134	SPC	O		O	O	CENTER and SURROUND SP relay output
50	P57/RDY/CLKout	SPB	O		O	O	FRONT B SP relay output

IC2 : M30625MHP-A98GP (DSP P.C.B.)
Microprocessor

No.	Port Name	Terminal Name	I/O				Function
			PowerOn	Pure Direct	Standby	Sleep	
51	P56/ALE	SPA	O		O	O	FRONT A SP relay output
52	P55/HOLD	/EMP	I				For FLASH writing (LO)
53	P54/HLDA	PRI	I		O	O	Protection overcurrent detection
54	P133	PSV	O		O	O	Power Save
55	P132	PRY	O		O	O	Power relay output
56	P131	MASTER	I		O	O	MASTER ON/OFF
57	P130	/BLK	O		O	O	FL Driver turning off
58	P53/BCLK	ISA	I		O	O	INPUT Selector Rotary A
59	P52/RD	ISB	I		O	O	INPUT Selector Rotary B
60	P51/WRH/BHE	TONEA	I		O	O	Tone Control Rotary A
61	P50/WRL/WR	/CE	I				For FLASH writing (HI)
62	P127	TONEB	I		O	O	Tone Control Rotary B
63	P126	VRA	I		O	O	Volume Rotary A
64	P125	VRB	I		O	O	Volume Rotary B
65	P47/CS3	VIA	O	O	O	O	VIDEO Selector A
66	P46/CS2	VIB	O	O	O	O	VIDEO Selector B
67	P45/CS1	VIC	O	O	O	O	VIDEO Selector C
68	P44/CS0	S/V	O	O	O	O	
69	P43/A19	/CES	O	O	O	O	OSD Enable
		MOD1	I				MODEL distinction 1
70	P42/A18	SVIDD	I	O	O	O	S-Video Signal Detector
71	P41/A17	BYPASS	O	O	O	O	VIDEO Bypass/ conversion change
72	P40/A16	/INTCNV	I	O	O	O	
73	P37/A15	/VR1	O	O	O	O	VIDEO Rec Out 1 MUTE
74	P36/A14	/VR2	O	O	O	O	
75	P35/A13	/PURD	O		O	I	
76	P34/A12	/MON	O	O	O	O	VIDEO Mon Out MUTE
77	P33/A11	CPNTD	I	O	O	O	Component Signal Detector (DVD)
78	P32/A10	CMP0	O	O	O	O	Component Selector 0
79	P31/A9	CMP1	O	O	O	O	Component Selector 1
80	P124	CBYPASS	O	O	O	O	
81	P123	/CNONE	O	O	O	O	Component Mon Out MUTE
82	P122	TRIG	O		O	O	DC TRIGGER input
83	P121	TMT	O		O	O	TUNER MUTE
84	P120	SDRN	I		O	O	RDS RxDBG
85	Vcc2	Vcc	MCU		MCU	MCU	Power supply +5V for microprocessor
86	P30/A8	SCKN	O		O	O	RDS IC Clock (G model)
			O	O	O	O	
87	Vss	Vss	MCU		MCU	MCU	Ground for micro-processor
88	P27/A7	SDTN	O		O	O	RDS IC TxD (G model)
			O	O	O	O	
89	P26/A6	RDSE	O		O	O	RDS Enable (G model)
		/ICXM	O		O	O	DABIC IC reset (U model)
90	P25/A5	SCKP	O		O	O	PLL IC Clock
91	P24/A4	SDTP	O		O	O	PLL IC TxD
92	P23/A3	CEP	O		O	O	PLL IC Enable
93	P22/A2	SDRP	I+		O	O	PLL IC RxD
94	P21/A1	/ST	I+		O	O	TUNER /ST
95	P20/A0	TUNED	I+		O	O	TUNED
96	P17/D15/INT5	PDET	IRQ		IRQ	O	Power Down DETECT INT
97	P16/D14/INT4	/PSW	IRQ		IRQ	O	Interrupt MASTER / MAIN / Zone2 Power SW
98	P15/D13/INT3	REM	IRQ		IRQ	O	Remote Control input
99	P14/D12	/HP	I		O	O	HEAD PHONE detection
100	P13/D11	/MTHP	O		O	O	HEAD PHONE MUTE input
101	P12/D10	/MTFS	O		O	O	MUTE Front/Surround, PreOUT
102	P11/D9	/MTCT	O		O	O	MUTE Center
103	P10/D8	/MTSW	O		O	O	MUTE SW
104	P07/D7	/MTZ2	O		O	O	Zone 2 MUTER
105	P06/D6	CKEV	O		O	O	Electron volume IC Clock

IC2 : M30625MHP-A98GP (DSP P.C.B.)
Microprocessor

No.	Port Name	Terminal Name	I/O				Function
			PowerOn	Pure Direct	Standby	Sleep	
106	P05/D5	DTEV	○		○	○	Electron volume IC DATA
107	P04/D4	CKZ2	○		○	○	Zone2 Selector (BD3841) Clock (R model)
108	P03/D3	DTZ2	○		○	○	Zone2 Selector (BD3841) DATA (R model)
109	P02/D2	N.C.	○		○	○	
110	P01/D1	N.C.	○		○	○	
111	P00/D0	CKEX	○		○	○	EX. INPUT Selector Clock
112	P117	DTEX	○		○	○	EX. INPUT Selector DATA
113	P116	CKBD	○		○	○	
114	P115	DTBD	○		○	○	
		MOD2			I		MODEL distinction 2
115	P114	DTSEL	○		○	○	
116	P113	CKSEL	○		○	○	
117	P112	CESEL	○		○	○	
		MOD4			I		MODEL distinction
118	P111	ICEV	○		○	○	
119	P110	CEEV	○		○	○	
		MOD3			I		
120	P107/AN7/KI3	PRV2	AD		○	○	
121	P106/AN6/KI2	PRV1	AD		○	○	AD protection power-supply voltage detection
122	P105/AN5/KI1	PRD	AD		○	○	AD protection DC detection
123	P104/AN4/KI0	PLDET	AD		○	○	AD POWER LIMITTER detection
124	P103/AN3	THM	AD		○	○	AD temperature detection
125	P102/AN2	ADKEY0	AD		○	○	AD Key 0
126	P101/AN1	ADKEY1	AD		○	○	AD Key 1
127	Avss	Avss	MCU		MCU	MCU	Ground for AD
128	P100/AN0	DEST	AD		○	○	AD model detection

RX-V459/HTR-5940/DSP-AX459/HTR-5935
Key Input(A-D) Pull-Up Resistance 10 k-Ohms

Ohm	+0.0k	+1.0k	+1.0k	+1.5k	+2.2k	+3.3k	+4.7k	+4.7k	+6.8k	+10.0k	+22.0k
V	~0.3	~0.7	~1.0	~1.5	~2.0	~2.6	~3.1	~3.4	~3.7	~4.0	~4.4
ADKEY0 94pin/AN2	PROGRAM <	PROGRAM >	BASS/TREBLE +	BASS/TREBLE +	INPUT MODE	STRAIGHT	tone CONTROL	PRESET/TUNING	SPEAKER B	SPEAKER A	PURE DIRECT
ADKEY1 95pin/AN1	-	-	-	-	MULTI CH INPUT	FM/AM	A/B/C/D/E	PRESET/TUNING <	PRESET/TUNING >	MEMORY	TUNING MODE

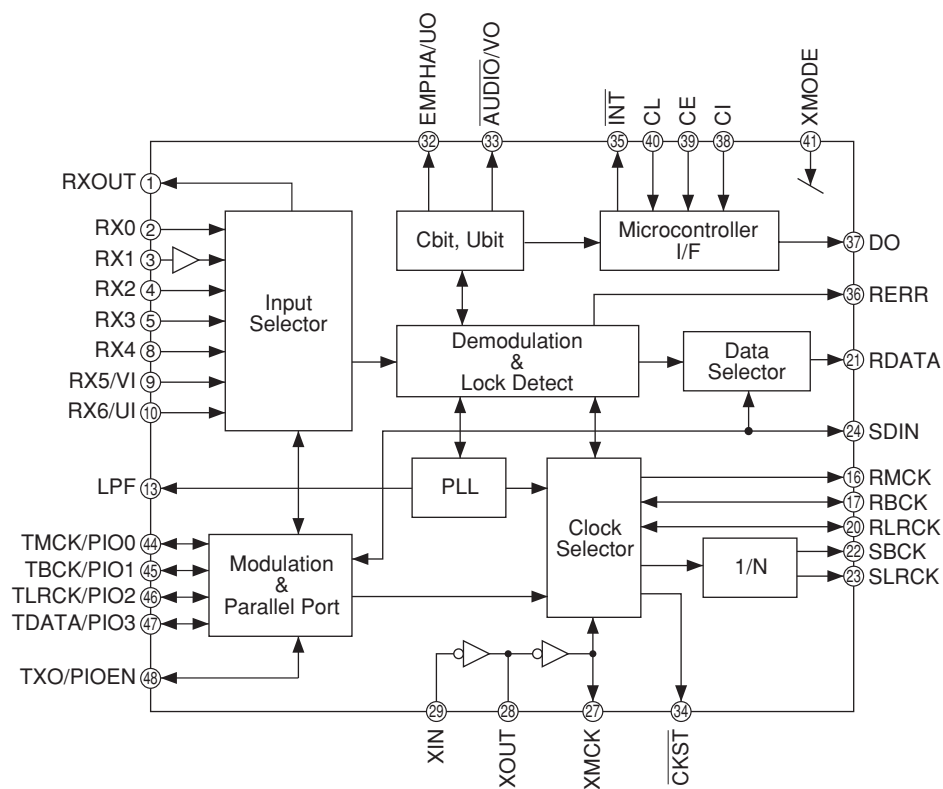
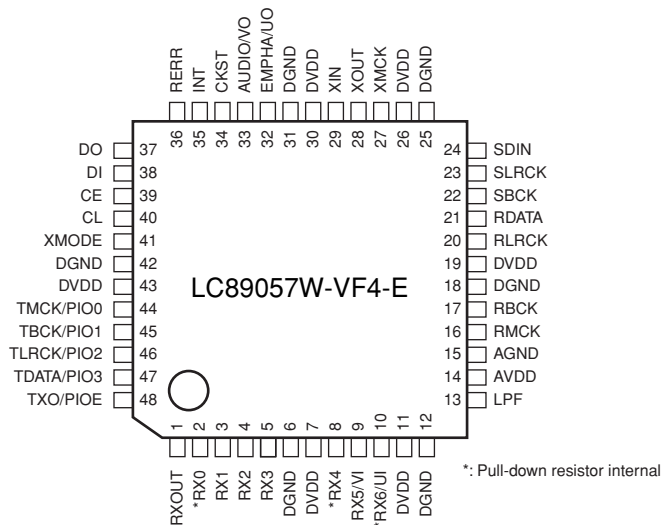
MODEL Distinction Port / モデル判別ポート

Pin	Function	Name	RX-V459/HTR-5940/DSP-AX459	HTR-5935
3	P97/Adtrg/Sin4	CEFD/MOD0	1	0
69	P43/A19	CES/MOD1	1	1
114	P115	DTBD/MOD2	1	1
119	P110	CEEV/MOD3	0	0
117	P112	CESEL/MOD4	0	0

Distinction for AD Port / 仕向け先判別ポート
Pull-Up Resistance 10 k-Ohms

Ohm	0.0k	1.2k	2.7k	4.7k	6.8k	10.0k	15.0k	27.0k	47.0k	100.0k	∞
V	0-0.2	0.3-0.8	0.9-1.3	1.4-1.8	1.8-2.2	2.3-2.7	2.8-3.3	3.4-3.8	3.9-4.3	4.4-4.7	4.8-5.0
A-D (5V=255)	0-13	14-40	41-68	69-92	93-115	116-140	141-170	171-198	199-221	222-244	245-255
DEST 129pin	J	U, C	-	R	T	K	A	-	G, E	L	-

IC56 : LC89057W-VF4-E (DSP P.C.B)
Digital Audio Interface Transceiver



RX-V459/HTR-5940/DSP-AX459
HTR-5935

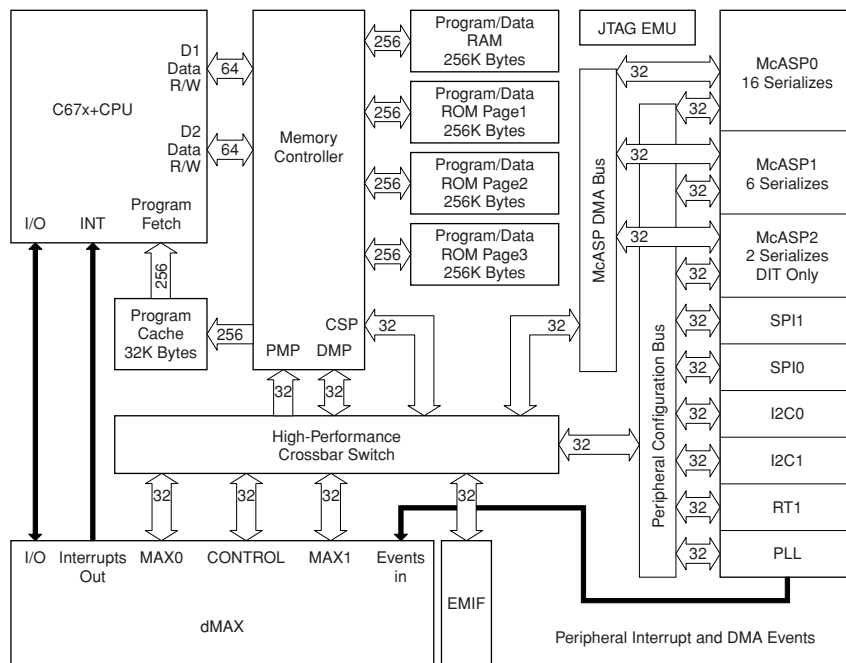
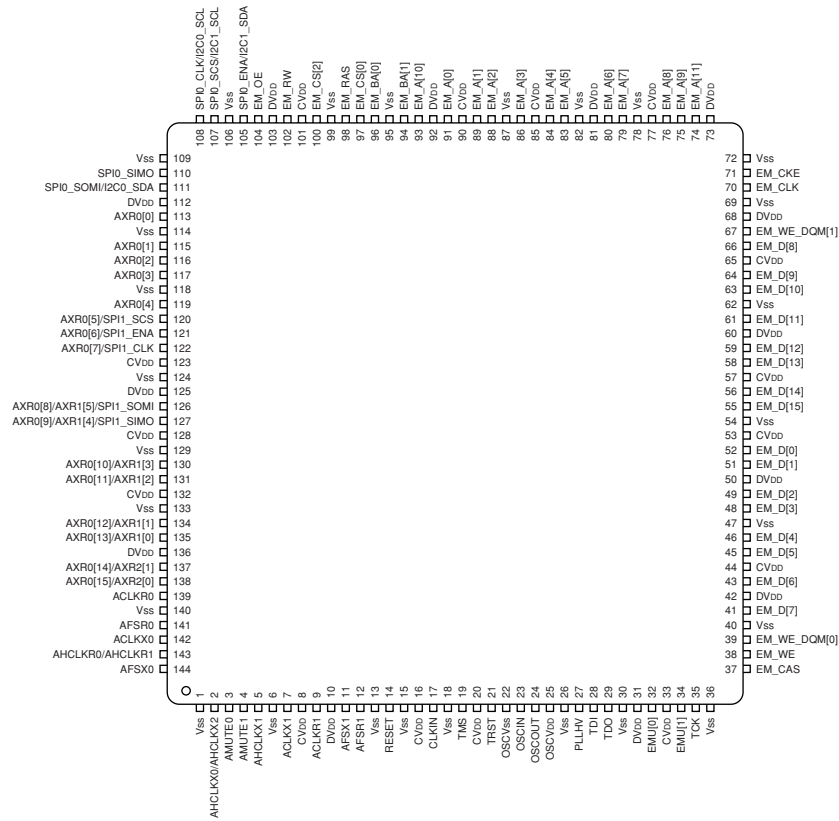
IC56 : LC89057W-VF4-E (DSP P.C.B)
Digital Audio Interface Transceiver

No.	Name	I/O	Function
1	RXOUT	O	Input bi-phase selection data output pin
2	RX0	Is	TTL-compatible digital data input pin
3	RX1	I	Coaxial-compatible digital data input pin with built-in amplifier
4	RX2	Is	TTL-compatible digital data input pin
5	RX3	Is	TTL-compatible digital data input pin
6	DGND		Digital GND
7	DVDD		Digital power supply
8	RX4	Is	TTL-compatible digital data input pin
9	RX5/VI	Is	TTL-compatible digital data / Validity flag input pin for modulation
10	RX6/UI	Is	TTL-compatible digital data / User data input pin for modulation
11	DVDD		PLL digital power supply
12	DGND		PLL digital GND
13	LPF	O	PLL loop filter connection pin
14	ACDD		PLL analog power supply
15	AGND		PLL analog GND
16	RMCK	O	R system clock output pin (256fs, 512fs, XIN, VCO)
17	RBCK	O/I	R bit clock input/output pin
18	DGND		Digital GND
19	DVDD		Digital power supply
20	RLRCK	O/I	R LR clock input/output pin (fs)
21	RDATA	O	Serial audio data input pin
22	SBCK	O	S bit clock output pin (32fs, 64fs, 128fs)
23	SLRCK	O	S LR clock output pin (fs/s, fs, 2fs)
24	SDIN	Is	Serial audio data input pin
25	DGND		Digital GND
26	DVDD		Digital power supply
27	XMCK	O	Oscillation amplifier output pin
28	XOUT	O	Crystal resonator connection output pin
29	XIN	I	Crystal resonator connection, external supply clock input pin (24.576 MHz or 12.288 MHz)
30	DVDD		Digital power supply
31	DGND		Digital GND
32	EMPHA/UO	I/O	Emphasis information / U data output / Chip address setting pin
33	AUDIO/VO	I/O	Non-PCM output / V flag output / Chip address setting pin
34	CKST	I/O	Clock switch transition period signal / Demodulation master or slave function switch pin
35	INT	I/O	Microcontroller interrupt output / Modulation or general-purpose I/O switch pin
36	RERR	O	PLL clock error, data error flag output
37	DO	O	Microcontroller I/F read data output pin (3-state)
38	DI	Is	Microcontroller I/F write data input pin
39	CE	Is	Microcontroller I/F chip enable input pin
40	CL	Is	Microcontroller I/F clock input pin
41	XMODE	Is	System reset input pin
42	DGND		Digital GND
43	DVDD		Digital power supply
44	TMCK/PIO0	I/O	Modulation 256fs system clock input / General-purpose I/O input/output pin
45	TMCK/PIO1	I/O	Modulation 64fs bit clock input / General-purpose I/O input/output pin
46	TLRCK/PIO2	I/O	Modulation fs clock input / General-purpose I/O input/output pin
47	TLRCK/PIO3	I/O	Modulation serial audio data input / General-purpose I/O input/output pin
48	TXO/PIOEN	O/I	Modulation data output / General-purpose I/O enable input pin

- 1) Input/output I or O = -0.3 to 3.6V, Is = -0.3 to 5.5V
- 2) Pins 32 and 33 are latch address setting input pins when pin 41 = "L".
- 3) Pin 34 is a demodulation function master or slave setting input pin when pin 41 = "L".
- 4) Pin 35 is a modulation function or general-purpose I/O function switch setting input pin when pin 41 = "L".
- 5) Perform ON/OFF for all power supplies with the same timing as a latch-up countermeasure.

IC60 : D70YE101RFP250 (DSP P.C.B)
Decoder/Post Processor

* No replacement part available. / サービス部品供給なし



RX-V459/HTR-5940/DSP-AX459
HTR-5935

IC60 : D70YE101RFP250 (DSP P.C.B)
Decoder/Post Processor

PIN NO.	SIGNAL NAME	TYPE ⁽¹⁾	PULL ⁽²⁾	GPIO ⁽³⁾	DESCRIPTION
1	Ground(Vss)				
2	AHCLKX0/AHCLKX2	IO	-	Y	McASP0 and McASP2 Transmit Master Clock
3	AMUTE0	IO	-	Y	McASP0 MUTE Output
4	AMUTE1	IO	-	Y	McASP1 MUTE Output
5	AHCLKX1	IO	-	Y	McASP1 Transmit Master Clock
6	Ground(Vss)				
7	ACLKX1	IO	-	Y	McASP1 Transmit Bit Clock
8	Core Supply (CVpp)				
9	ACLKR1	IO	-	Y	McASP1Receive Bit Clock
10	IO Supply (DVpp)				
11	AFSX1	IO	-	Y	McASP1 Transmit Frame Sync (L/R Clock)
12	AFSR1	IO	-	Y	McASP1Receive Frame Sync (L/R Clock)
13	Ground(Vss)				
14	RESET	IO	-	N	Device reset pin
15	Ground(Vss)				
16	Core Supply (CVpp)				
17	CLKIN	IO	-	N	Alternate clock input (3.3-V LVCMOS Input)
18	Ground(Vss)				
19	TMS	IO	IPU	N	Test mode Select
20	Core Supply (CVpp)				
21	TRST	IO	IPU	N	Test Reset
22	OSCVss	PWR	-	N	Oscillator Vss tap point (for filter only)
23	OSCIN	IO	-	N	1.2-V Oscillator Input
24	OSCOUT	O	-	N	1.2-V Oscillator Output
25	OSCVpp	PWR	-	N	Oscillator 1.2-V Vpp tap point (for filter only)
26	Ground(Vss)				
27	PLLHV	PWR	-	N	PLL 3.3-V Supply Input (requires external filter)
28	TDI	IO	IPU	N	Test Data In
29	TDO	OZ	IPU	N	Test Data Out
30	Ground(Vss)				
31	IO Supply (DVpp)				
32	EMU[0]	IO	IPU	N	Emulation Pin 0
33	Core Supply (CVpp)				
34	EMU[1]	IO	IPU	N	Emulation Pin 1
35	TCK	IO	IPU	N	Test Clock
36	Ground(Vss)				
37	EM_CAS	O	-	N	SDRAM Column Address Strobe
38	EM_WE	O	-	N	SDRAM Write Enable
39	EM_WE_DQM[0]	O	-	N	Write Enable or Byte Enable for EM_D[7:0]
40	Ground(Vss)				
41	EM_D[7]	IO	-	N	EMIF Data Bus [lower 16 Bits]
42	IO Supply (DVpp)				
43	EM_D[6]	IO	-	N	EMIF Data Bus [lower 16 Bits]
44	Core Supply (CVpp)				
45	EM_D[5]	IO	-	N	EMIF Data Bus [lower 16 Bits]
46	EM_D[4]	IO	-	N	EMIF Data Bus [lower 16 Bits]
47	Ground(Vss)				
48	EM_D[3]	IO	-	N	EMIF Data Bus [lower 16 Bits]
49	EM_D[2]	IO	-	N	EMIF Data Bus [lower 16 Bits]
50	IO Supply (DVpp)				
51	EM_D[1]	IO	-	N	EMIF Data Bus [lower 16 Bits]
52	EM_D[0]	IO	-	N	EMIF Data Bus [lower 16 Bits]
53	Core Supply (CVpp)				
54	Ground(Vss)				
55	EM_D[15]	IO	-	N	EMIF Data Bus [lower 16 Bits]

IC60 : D70YE101RFP250 (DSP P.C.B)
Decoder/Post Processor

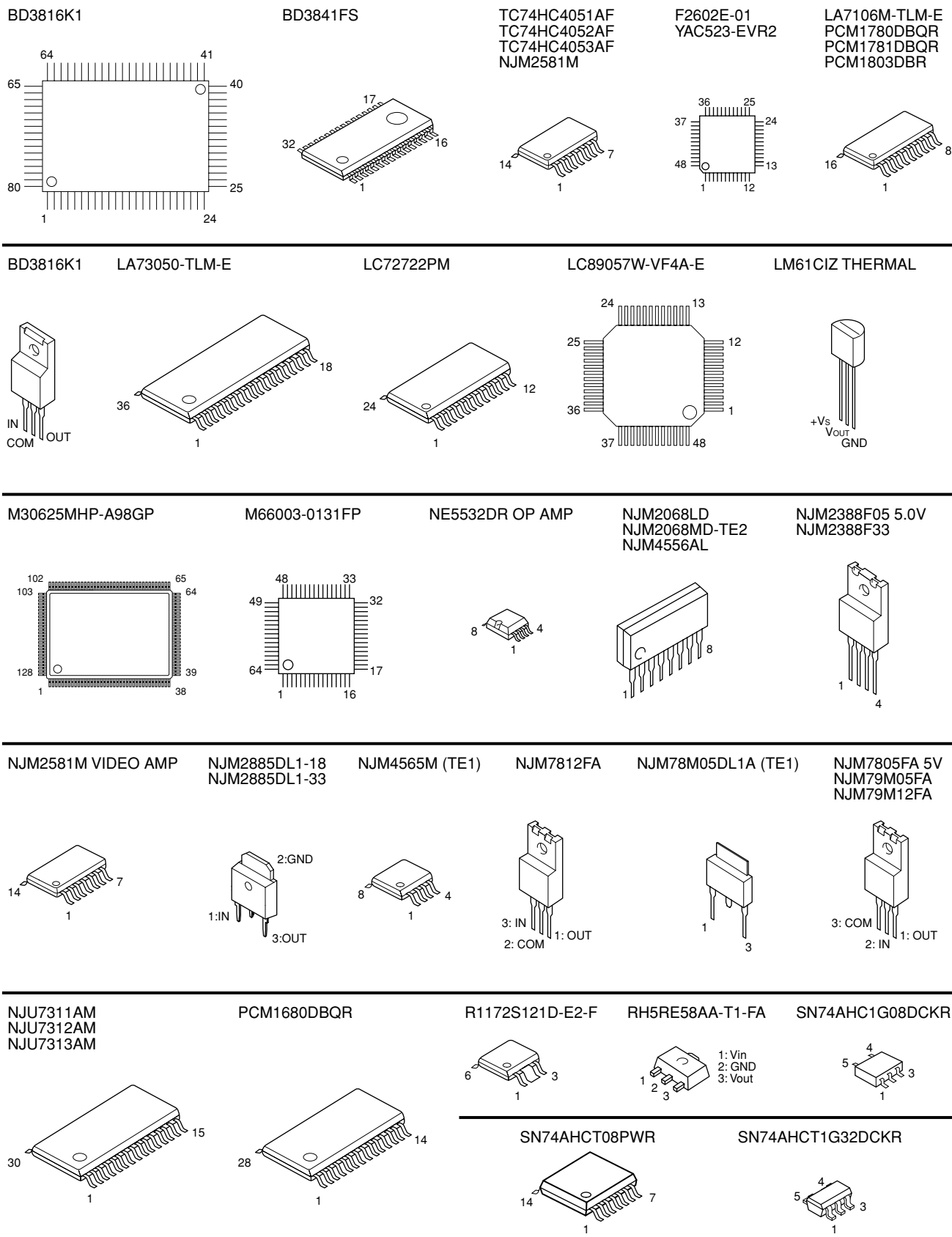
PIN NO.	SIGNAL NAME	TYPE ⁽¹⁾	PULL ⁽²⁾	GPIO ⁽³⁾	DESCRIPTION
56	EM_D[14]	IO	-	N	EMIF Data Bus [lower 16 Bits]
57	Core Supply (CVpp)				
58	EM_D[13]	IO	-	N	EMIF Data Bus [lower 16 Bits]
59	EM_D[12]	IO	-	N	EMIF Data Bus [lower 16 Bits]
60	IO Supply (DVpp)				
61	EM_D[11]	IO	-	N	EMIF Data Bus [lower 16 Bits]
62	Ground(Vss)				
63	EM_D[10]	IO	-	N	EMIF Data Bus [lower 16 Bits]
64	EM_D[9]	IO	-	N	EMIF Data Bus [lower 16 Bits]
65	Core Supply (CVpp)				
66	EM_D[8]	IO	-	N	EMIF Data Bus [lower 16 Bits]
67	EM_WE_DQM[1]	O	-	N	Write Enable or Byte Enable for EM_D[15:8]
68	IO Supply (DVpp)				
69	Ground(Vss)				
70	EM_CLK	O	-	N	SDRAM Clock
71	EM_CKE	O	-	N	SDRAM Clock Enable
72	Ground(Vss)				
73	IO Supply (DVpp)				
74	EM_A[11]	O	-	N	EMIF Address Bus
75	EM_A[9]	O	-	N	EMIF Address Bus
76	EM_A[8]	O	-	N	EMIF Address Bus
77	Core Supply (CVpp)				
78	Ground(Vss)				
79	EM_A[7]	O	-	N	EMIF Address Bus
80	EM_A[6]	O	-	N	EMIF Address Bus
81	IO Supply (DVpp)				
82	Ground(Vss)				
83	EM_A[5]	O	-	N	EMIF Address Bus
84	EM_A[4]	O	-	N	EMIF Address Bus
85	Core Supply (CVpp)				
86	EM_A[3]	O	-	N	EMIF Address Bus
87	Ground(Vss)				
88	EM_A[2]	O	-	N	EMIF Address Bus
89	EM_A[1]	O	-	N	EMIF Address Bus
90	Core Supply (CVpp)				
91	EM_A[0]	O	-	N	EMIF Address Bus
92	IO Supply (DVpp)				
93	EM_A[10]	O	-	N	EMIF Address Bus
94	EM_BA[1]	O	-	N	SDRAM Bank Address and Asynchronous Memory LOW-Order Address
95	Ground(Vss)				
96	EM_BA[0]	O	-	N	SDRAM Bank Address and Asynchronous Memory LOW-Order Address
97	EM_CS[0]	O	-	N	SDRAM Chip Select
98	EM_RAS	O	-	N	SDRAM Row Address Strobe
99	Ground(Vss)				
100	EM_CS[2]	O	-	N	Asynchronous Memory Chip Select
101	Core Supply (CVpp)				
102	EM_RW	O	-	N	Asynchronous Memory Read/not Write
103	IO Supply (DVpp)				
104	EM_OE	O	-	N	SDRAM Output Enable
105	SPI0_ENA/I2C1_SDA	IO	-	Y	SPI0 Enable (Ready) or I2c1 Serial Data
106	Ground(Vss)				
107	SPI0_SCS/I2C1_SCL	IO	-	Y	SPI0 Slave Chip Select or I2c1 Serial Clock
108	SPI0_CLK/I2C0_SCL	IO	-	Y	SPI0 Serial Clock or I2c0 Serial Clock
109	Ground(Vss)				
110	SPI0_SIMO	IO	-	Y	SPI0 Data Pin Slave In Master Out

IC60 : D70YE101RFP250 (DSP P.C.B)
Decoder/Post Processor

PIN NO.	SIGNAL NAME	TYPE ⁽¹⁾	PULL ⁽²⁾	GPIO ⁽³⁾	DESCRIPTION
111	SPI0_SOMI/I2C0_SDA	IO	-	Y	SPI0 Data Pin Slave Out Master In or I2C0 Serial Data
112	IO Supply (DVpp)				
113	AXR0[0]	IO	-	Y	McASP0 Serial Data 0
114	Ground(Vss)				
115	AXR0[1]	IO	-	Y	McASP0 Serial Data 1
116	AXR0[2]	IO	-	Y	McASP0 Serial Data 2
117	AXR0[3]	IO	-	Y	McASP0 Serial Data 3
118	Ground(Vss)				
119	AXR0[4]	IO	-	Y	McASP0 Serial Data 4
120	AXR0[5]/SOI1_SCS	IO	-	Y	McASP0 Serial Data 5 or SPI1 Slave Chip Select
121	AXR0[6]/SPI1_ENA	IO	-	Y	McASP0 Serial Data 6 or SPI1 Enable (Ready)
122	AXR0[7]/SPI1_CLK	IO	-	Y	McASP0 Serial Data 7 or SPI1 Serial Clock
123	Core Supply (CVpp)				
124	Ground(Vss)				
125	IO Supply (DVpp)				
126	AXR0[8]/AXR1[5]/SPI1_SOMI	IO	-	Y	McASP0 Serial Data 8 or McASP1 Serial Data 5 or SPI1 Data Pin Slave Out Master In
127	AXR0[9]/AXR1[4]/SPI1_SIMO	IO	-	Y	McASP0 Serial Data 9 or McASP1 Serial Data 4 or SPI1 Data Pin Slave In Master Out
128	Core Supply (CVpp)				
129	Ground(Vss)	IO	-	Y	
130	AXR0[10]/AXR1[3]	IO	-	Y	McASP0 Serial Data 10 or McASP1 Serial Data 3
131	AXR0[11]/AXR1[2]				McASP0 Serial Data 11 or McASP1 Serial Data 2
132	Core Supply (CVpp)				
133	Ground(Vss)	IO	-	Y	
134	AXR0[12]/AXR1[1]	IO	-	Y	McASP0 Serial Data 12 or McASP1 Serial Data 1
135	AXR0[13]/AXR1[0]				McASP0 Serial Data 13 or McASP1 Serial Data 0
136	IO Supply (DVpp)	IO	-	Y	
137	AXR0[14]/AXR2[1]	IO	-	Y	McASP0 Serial Data 14 or McASP2 Serial Data 1
138	AXR0[15]/AXR2[0]	IO	-	Y	McASP0 Serial Data 15 or McASP2 Serial Data 0
139	ACLKR0				McASP0 Receive bit Clock
140	Ground(Vss)	IO	-	Y	
141	AFSR0	IO	-	Y	McASP0 Receive Frame Sync (L/R Clock)
142	ACLKX0	IO	-	Y	McASP0 Transmit Bit Clock
143	AHCLKR0/AHCLKR1	IO	-	Y	McASP0 and McASP1 Receive Master Clock
144	AFSX0				McASP0 Transmit Frame Sync (L/R Clock)

PIN CONNECTION DIAGRAM

• ICs



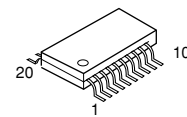
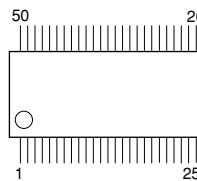
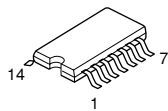
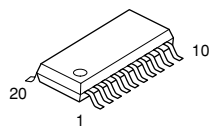
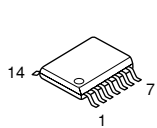
SN74LV157APWR
SN74LVU04APWR

SN74LV245APWR TRAN

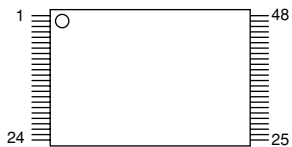
TC4013BP FF
TC74VHCU04FT INVER

W9816G6CH-7 SDRAM

YAC520-EE2



S29AL004D70TF1020



• Diodes

1N4002S
1SS133,176
1SS270A
1SS355
1SS380
1T2
MTZJ13A 13V
MTZJ15A 15V
MTZJ15B 15V
MTZJ2.4B 2.4V
MTZJ27B 27V
MTZJ30A 30V
MTZJ5.1C 5.1V

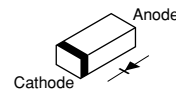
RB441Q-40 T-77
RB441Q-40 T-77

D2SBA20 1.5A 200V
D5SB20 5A 200V

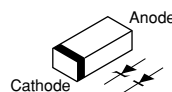
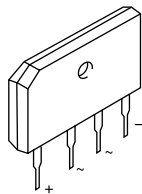
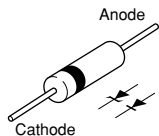
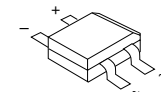
MA8030-L 2.9V
MA8051-M 5.1V
MA8056-M 5.6V
MA8068-L 6.6V
MA8068-M 6.8V
MA8075-H 7.7V
MA8091-M 9.1V
MA8100-M 10V

RB500V-40
RB501V-40
UDZ 3.6BTE-17 3.6V
UDZ5.1B 5.1V

MA8082-H 8.5V



S1NB20 1A 200V
S1NB60 1.0A 600V



• Transistors

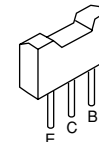
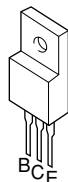
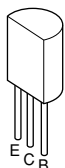
2SA1015 Y
2SA933S Q,R
2SA949 O,Y
2SC1740S QRS
2SC1815 Y
2SC1890A D,E
2SC2229 O,Y
2SC2240 GR,BL

2SC3326 A,B
2SC3837K T146 N,P
2SC3906K T146 R,S

2SB1257
2SB1274 Q,R,S

2SA1695 O,P,Y
2SC4468 O,P,Y
2SD1915F S,T
2SD2014
2SK2158-T2B-A
2SK246 Y
2SK3288
2SK3850

2SA1708 S,T
2SA1770 S,T
2SC4488 S,T
2SC4614 S,T
2SD1938F S,T



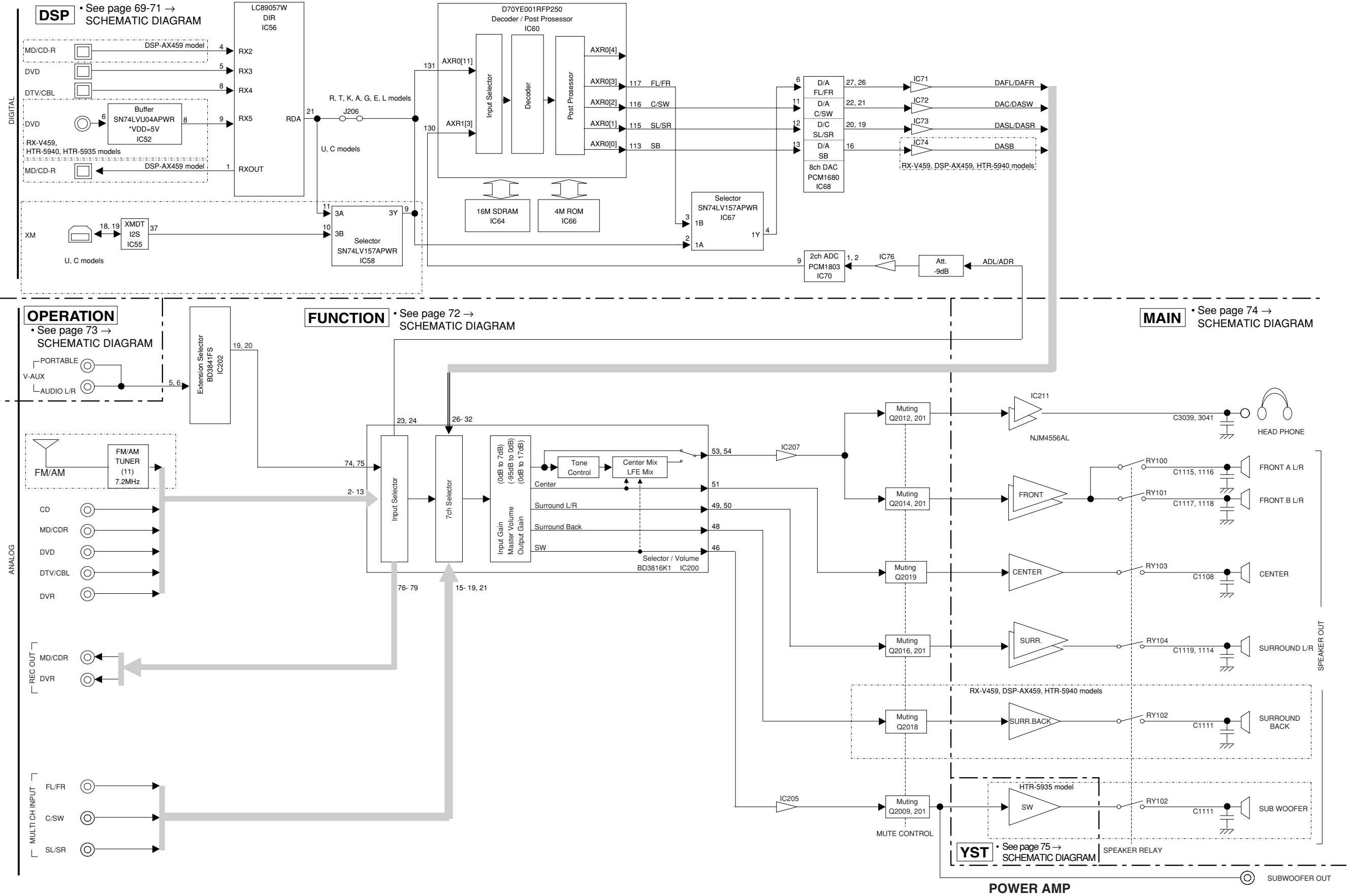
2SA1037K Q,R,S
2SC2412K Q,R,S
DTA114ES
DTC114EKA
DTC114ES
DTC124EKA
DTC144ES



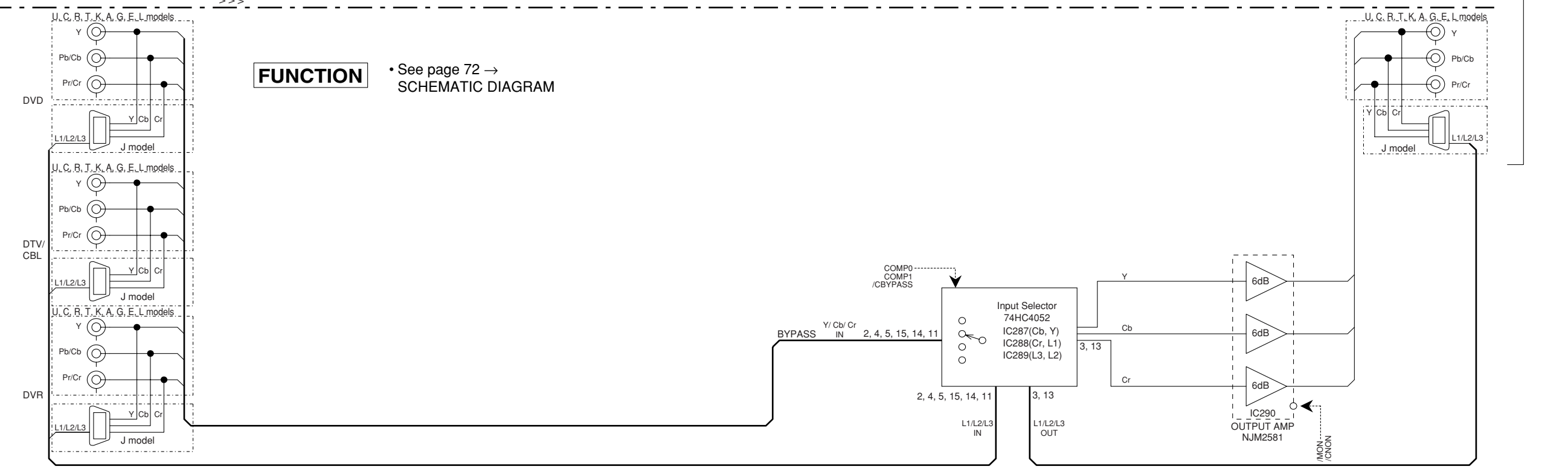
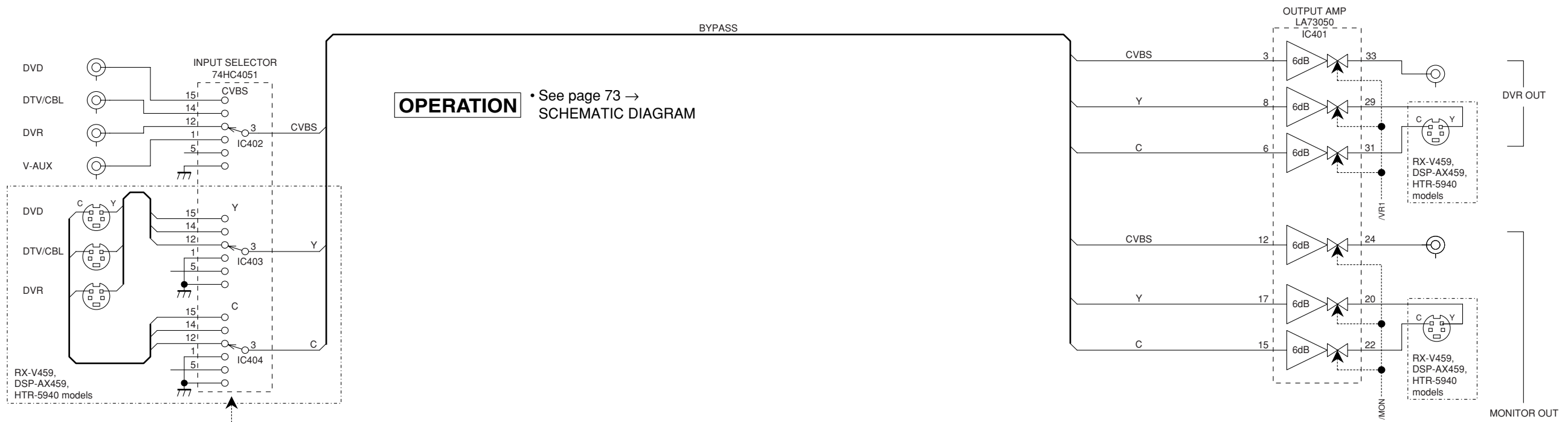
RX-V459/HTR-5940/DSP-AX459
HTR-5935

BLOCK DIAGRAMS

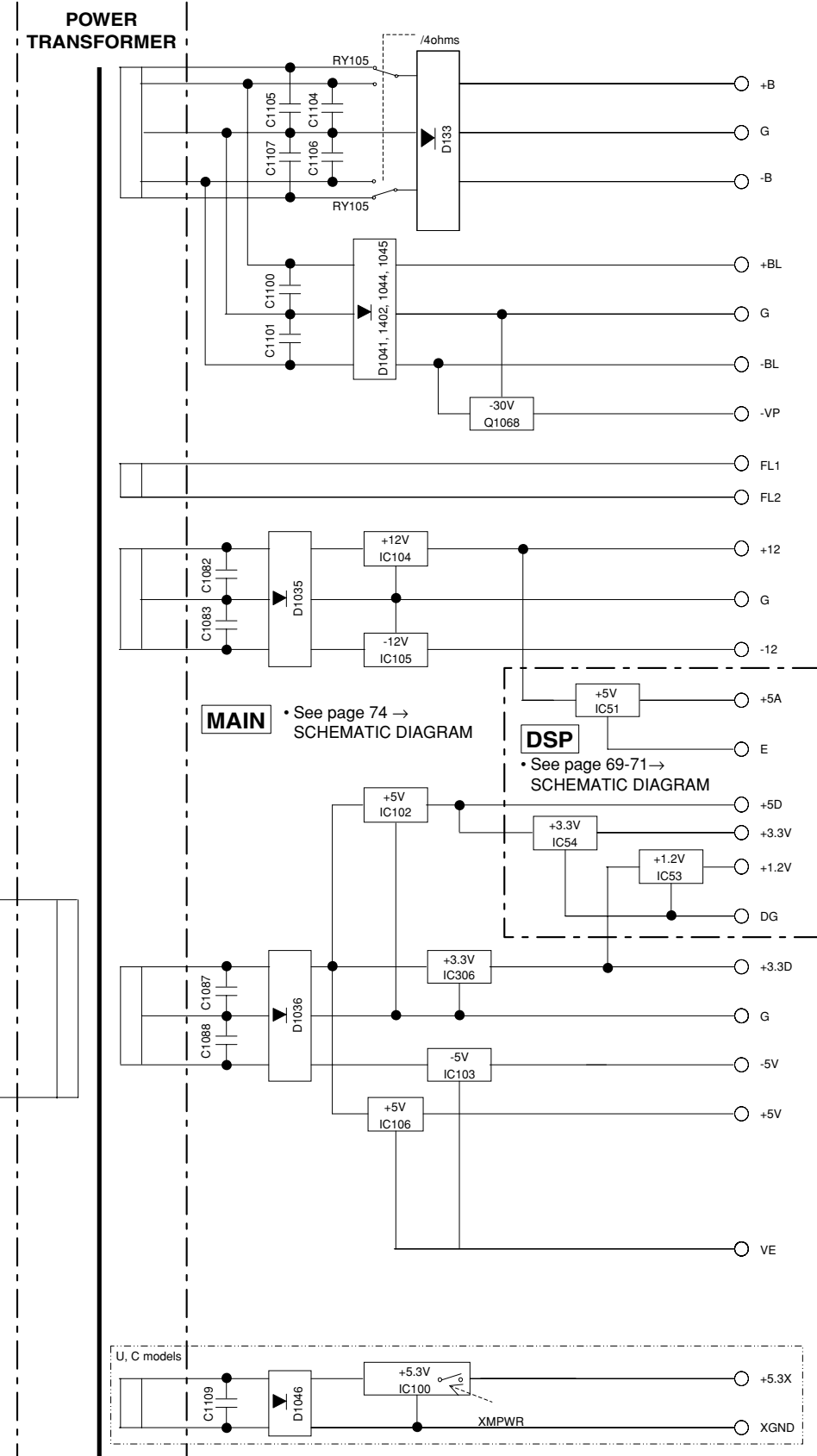
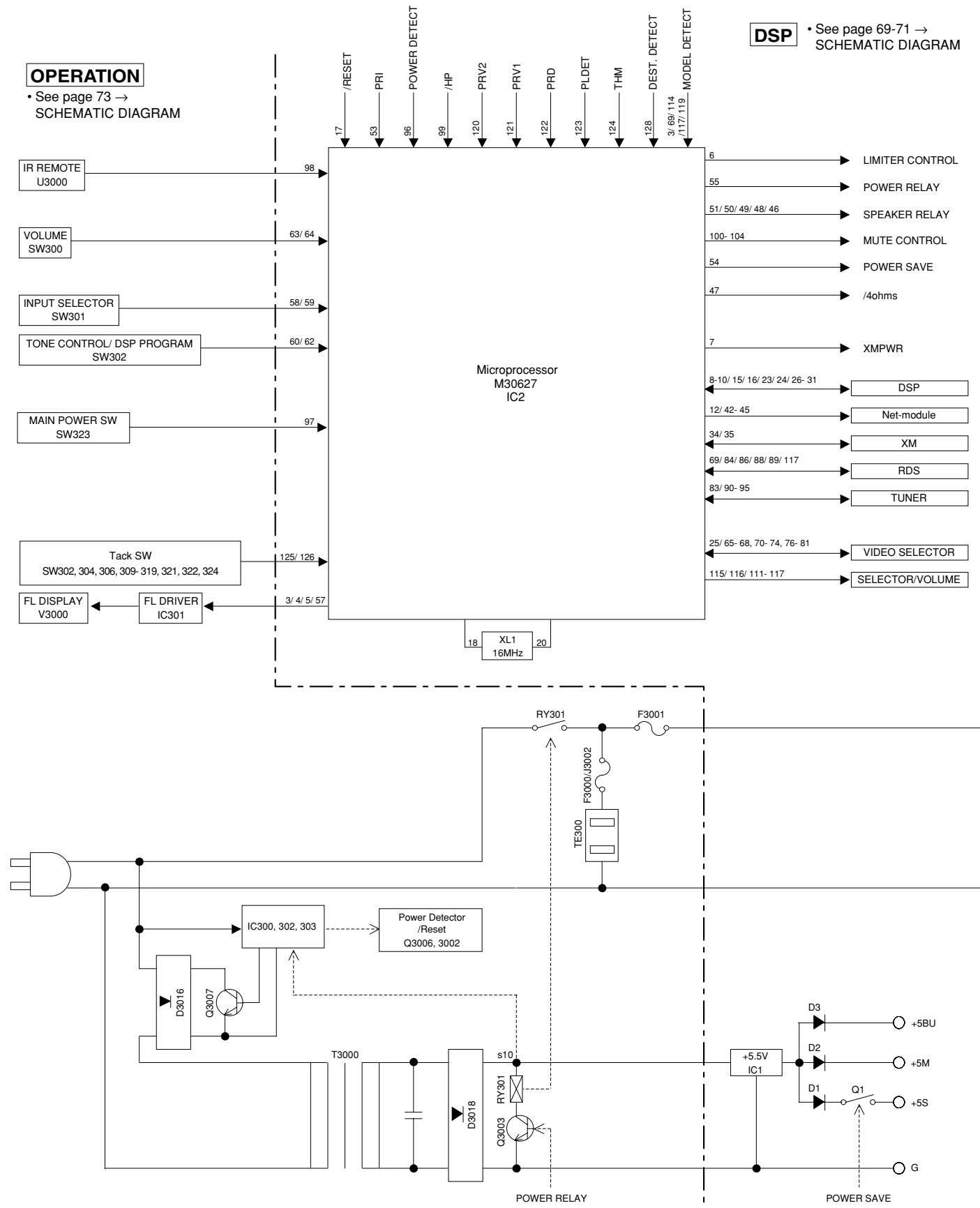
AUDIO BLOCK DIAGRAM



VIDEO BLOCK DIAGRAM



CONTROL/POWER BLOCK DIAGRAM



PRINTED CIRCUIT BOARDS

DSP P.C.B. (Side A)
Lead Free Solder Used

FUNCTION (1)
(CB200)

FUNCTION (1)
(CB202)

VIA
VIC
S/V
SDTN
SCKN /CES
/VSY
SVIDD
/INTCNV
SDA
/VR1
/MON
CPNTD
COMP0
COMP1
CBYPASS
/CONE
IPV
IPE
IPY
IPC

CKFD
DTFD
CEFD/MOD0
ADKEY1
ADKEY0
VRB
VRA
TONEB
TONEA
ISB
ISA
/BLK
MG
/BLK
MG
REM
MASTER
/PSW
RM
RM+
+5M
+5S
MG
VP

/RES
+5M
PDET
MG
MG
PRY
S10
S10

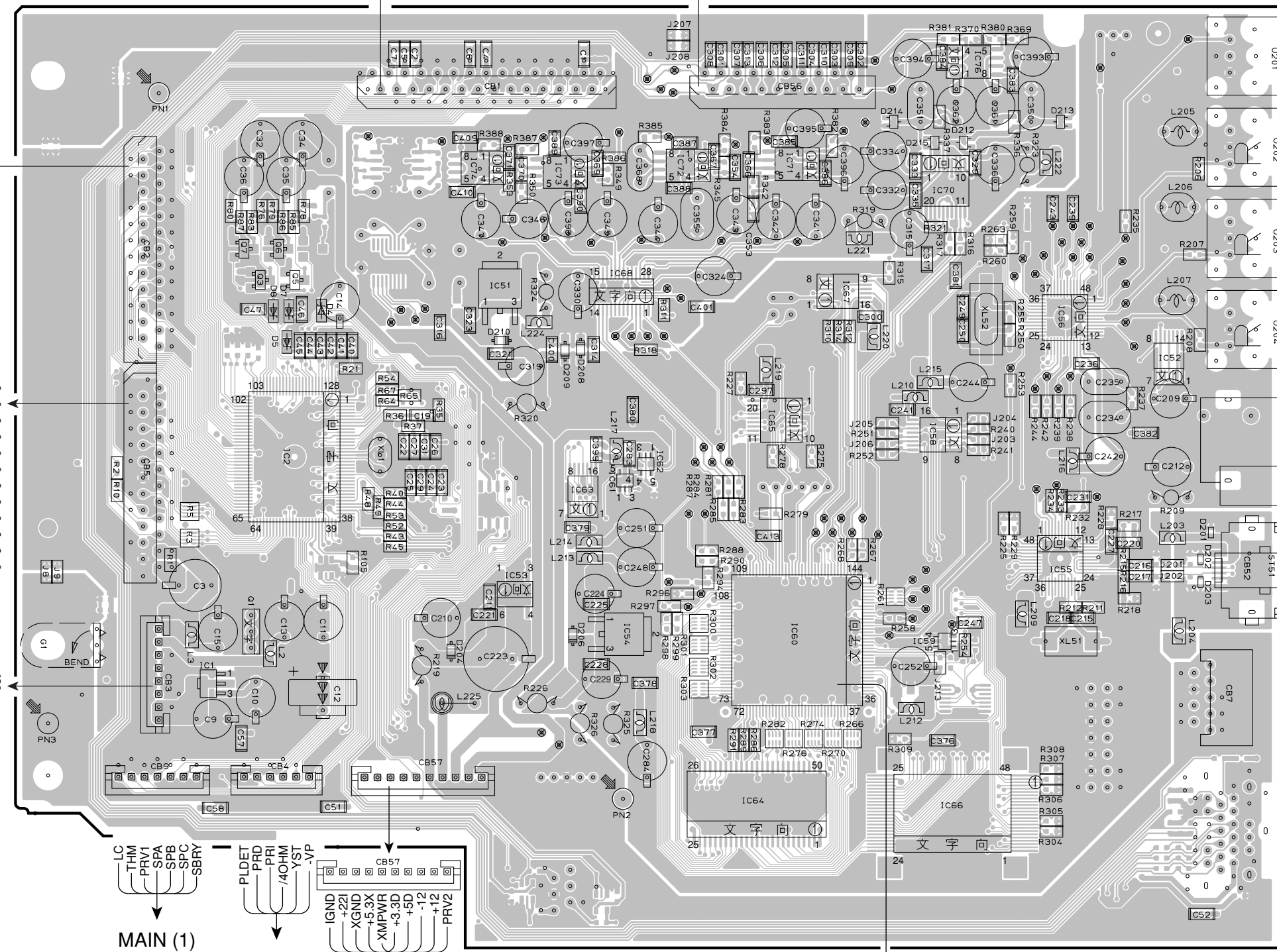
LC
THM
PRV1
SPA
SPB
SPC
SBRV

PLDET
PRD
PRI
/4OHM
YST
-VP

IGND
+221
XGND
+5.3X
XMPWR
+3.3D
+5D
-12
-12
PRV2

TRIGGER
RM-
/ST
TUNED
TMT
CMP
SDRN
SCKN
SDTN /ICXM
SDRP
SCKP
/HP
MTHP
MTFS
MTCT
MTSW
MTZ2
CKEV
DTEV
CKZ2
DTZ2
-12
+12
CKEX
DTEX

IPR
IE
REMSense
XMR
XML
E
SB
E
SR
SL
E
C
R
L
E
ADR
ADL



MD/CD-R
MD/CD-R
DVD
DTV/CBL
DVD
DIGITAL OUTPUT
OPTICAL
DIGITAL INPUT
COAXIAL

XM

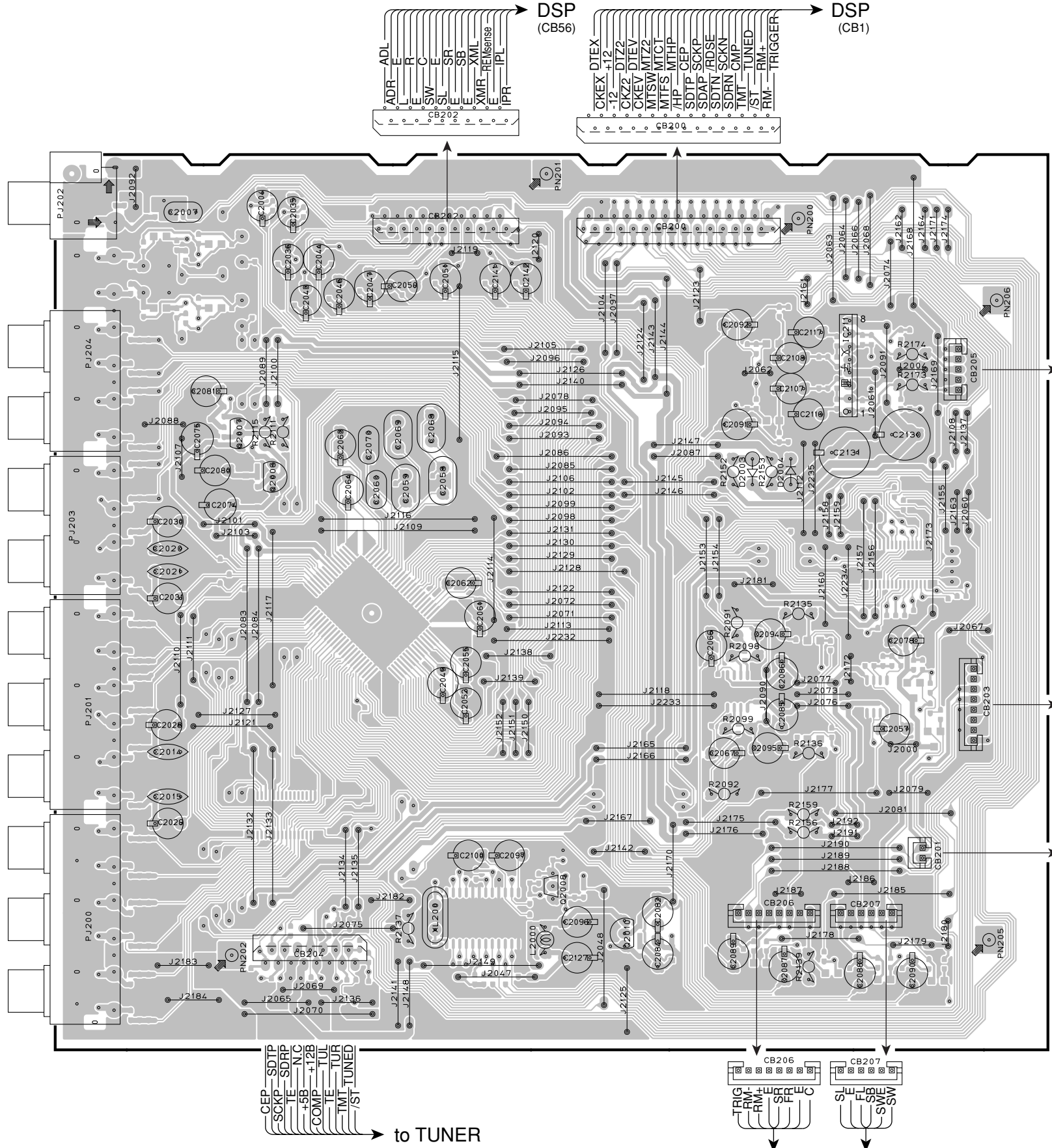
• Semiconductor Location

Ref no.	Location	Ref no.	Location
D4	D4	IC59	G5
D5	D4	IC60	F5
D7	D4	IC61	E5
D8	D4	IC62	F4
D201	H5	IC63	E5
D202	H5	IC64	F6
D203	H5	IC65	F4
D204	E5	IC66	G6
D206	E5	IC67	F4
D208	E4	IC68	E4
D209	E4	IC69	D3
D210	E4	IC70	G3
D212	G3	IC71	F3
D213	H3	IC72	F3
D214	G3	IC73	E3
D215	G3	IC74	E3
IC1	C6	IC75	D3
IC2	D4	IC76	G2
IC51	E4	Q1	D5
IC52	H4	Q3	D3
IC53	E5	Q4	D3
IC54	E5	Q5	D3
IC55	H5	Q6	D3
IC56	H4	Q7	D3
IC58	G4		

No replacement part available. / サービス部品供給なし

FUNCTION (1) P.C.B. (Side A)

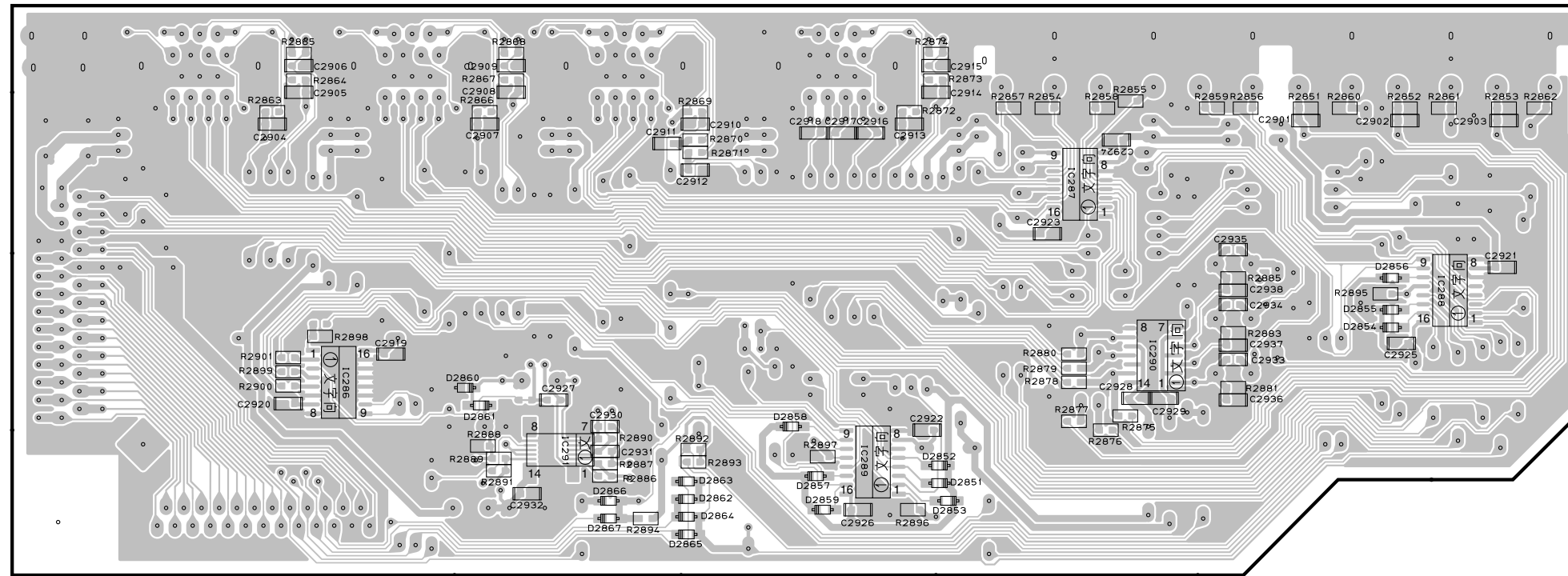
OUTPUT
 SUB WOOFER
 CENTER/SUB WOOFER
 SURROUND L/R
 FRONT L/R
AUDIO — MD/CD-R —
 OUT (REC) L/R
 IN (PLAY) L/R
 CD L/R
AUDIO — DVR —
 OUT L/R
 IN L/R
 DTV/CBL L/R
 DVD L/R



• Semiconductor Location

Ref no.	Location	Ref no.	Location
D2003	G3	Q2007	D3
D2004	G3	Q2008	F6
IC211	G3	Q2010	F6
Q2006	D3		

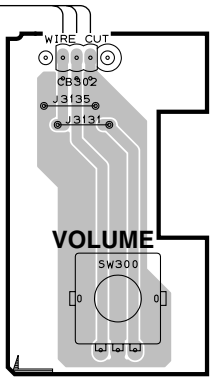
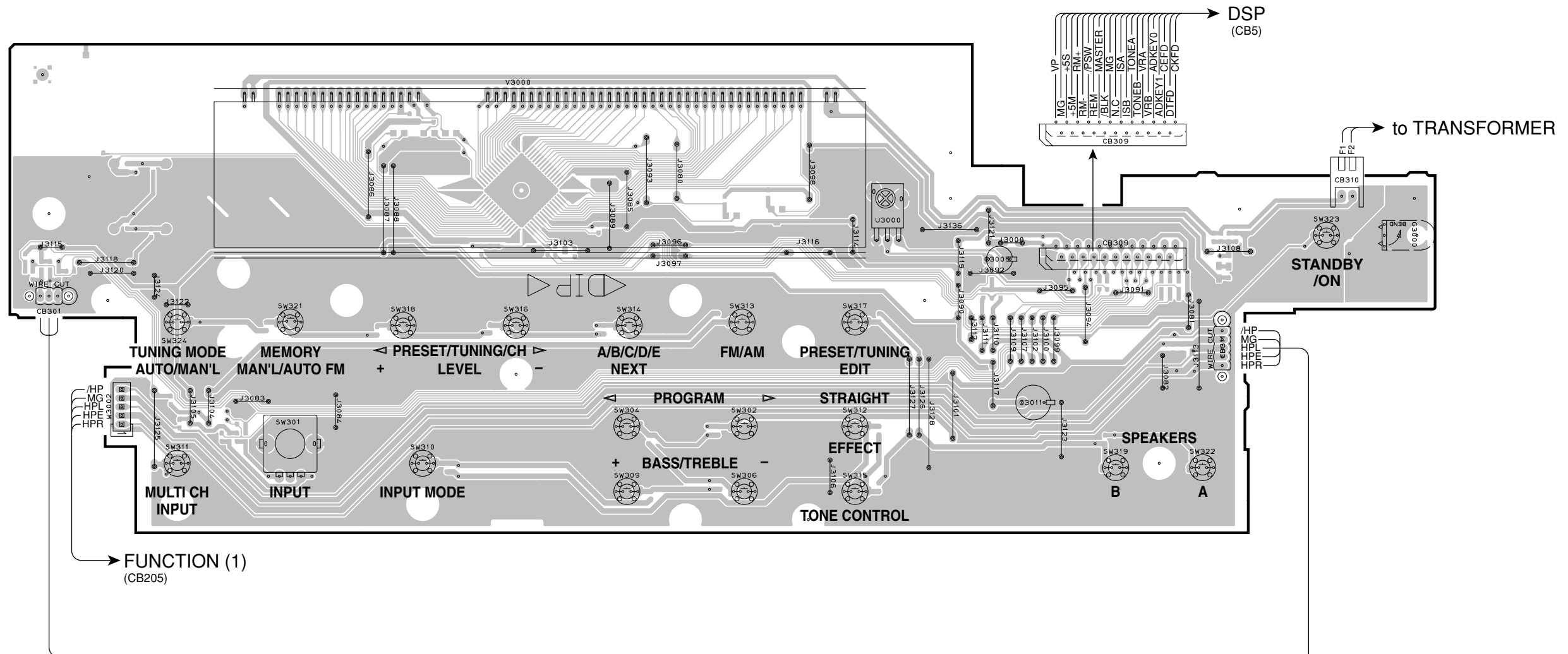
FUNCTION (2) P.C.B. (Side B)
Lead Free Solder Used



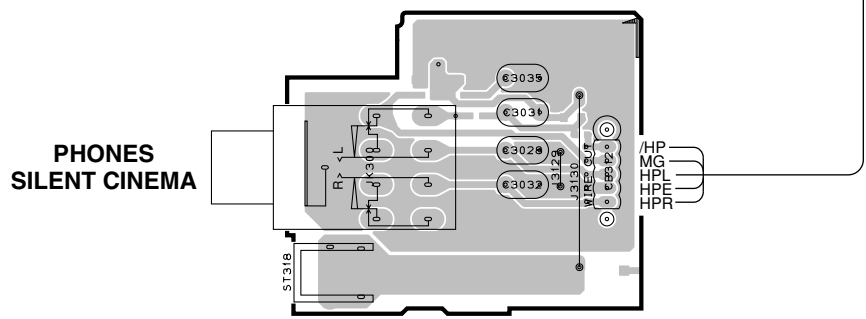
• **Semiconductor Location**

Ref no.	Location	Ref no.	Location
D2851	F4	D2863	E4
D2852	F4	D2864	E5
D2853	F5	D2865	E5
D2854	H4	D2866	E5
D2855	H4	D2867	E5
D2856	H4	IC286	D4
D2857	F4	IC287	G3
D2858	F4	IC288	H4
D2859	F5	IC289	F4
D2860	D4	IC290	G4
D2861	D4	IC291	E4
D2862	E5		

OPERATION (1) P.C.B. (Side A)



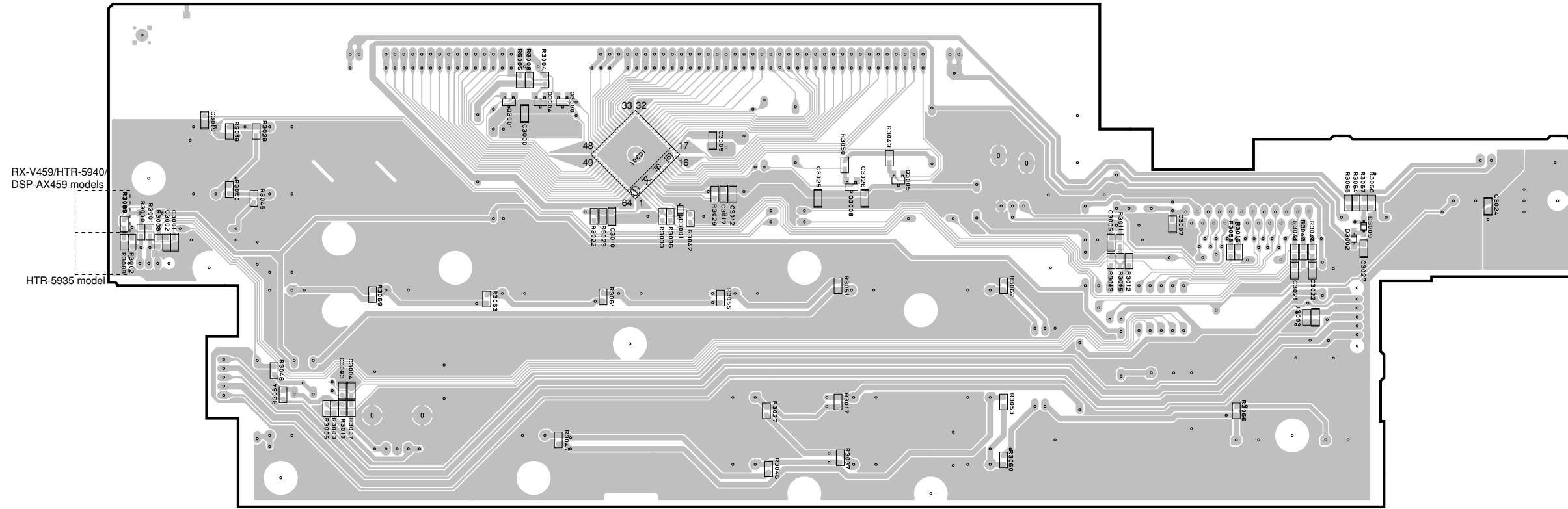
OPERATION (6) P.C.B. (Side A)



OPERATION (3) P.C.B. (Side A)

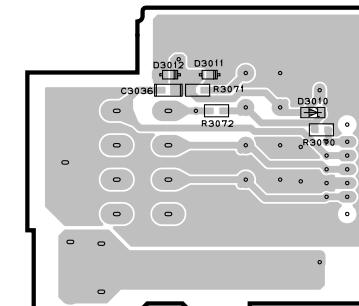
OPERATION (1) P.C.B. (Side B)

Lead Free Solder Used



OPERATION (3) P.C.B. (Side B)

Lead Free Solder Used



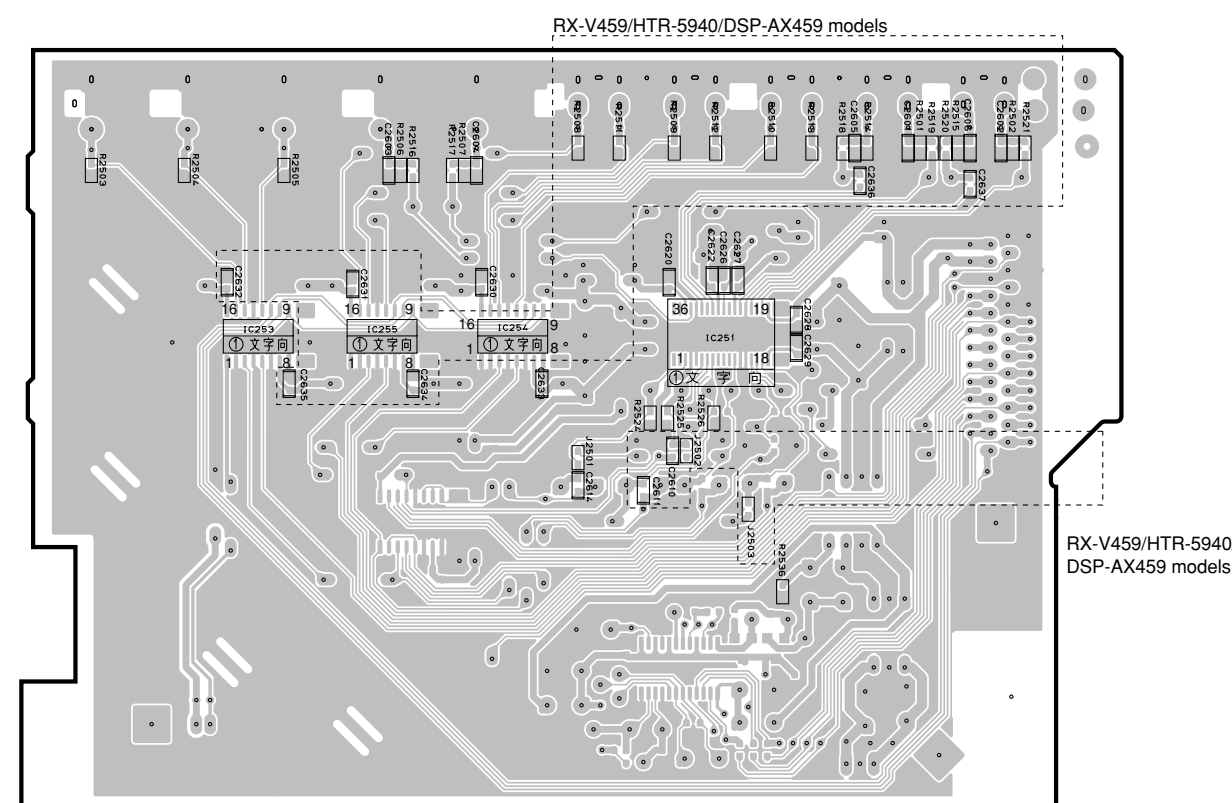
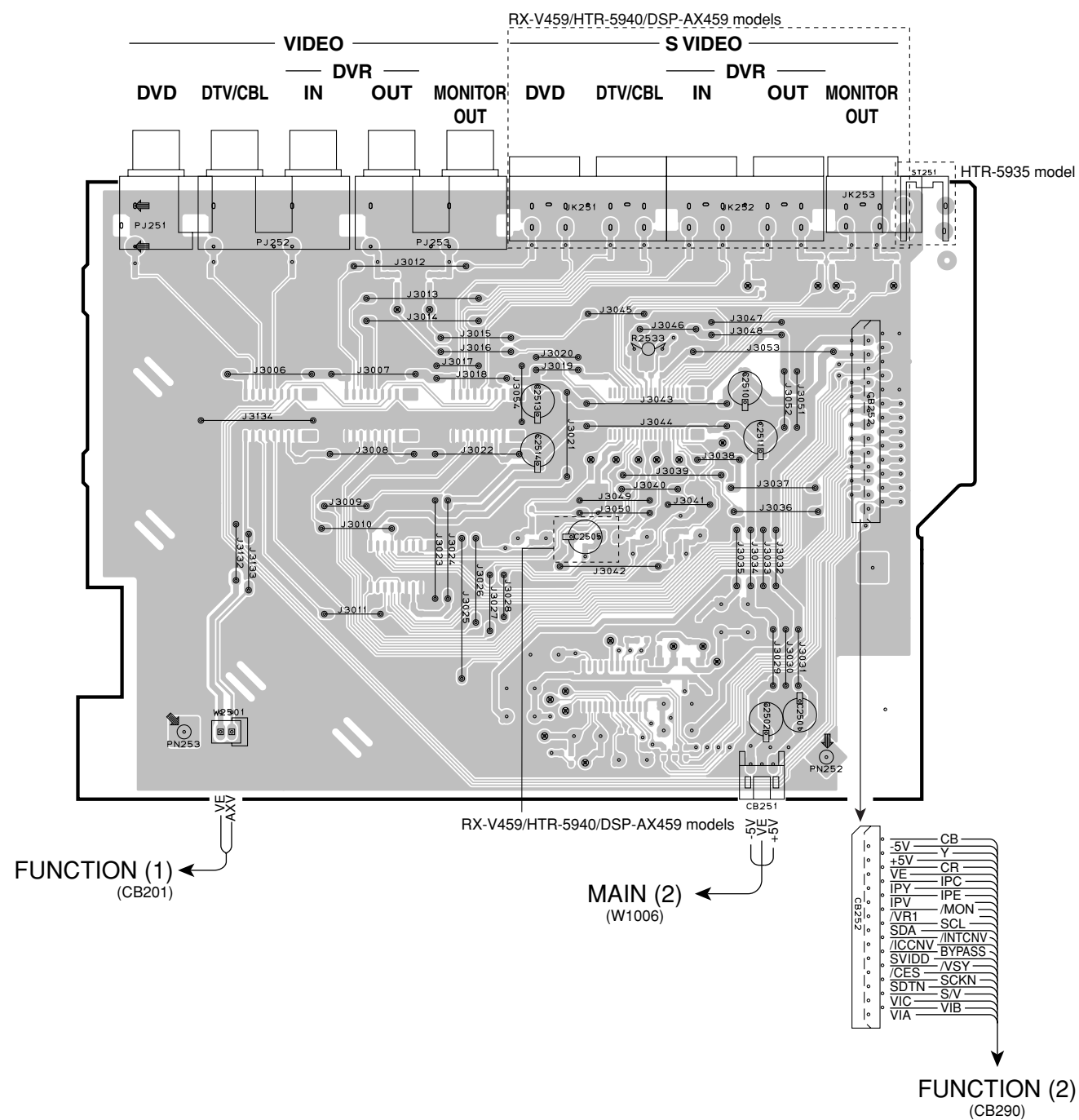
• **Semiconductor Location**

Ref no.	Location	Ref no.	Location
D3001	E3	IC301	D3
D3002	H3	Q3000	D2
D3009	H3	Q3001	D2
D3010	H6	Q3004	D2
D3011	G5	Q3005	F3
D3012	G5	Q3008	F3

OPERATION (2) P.C.B. (Side A)

OPERATION (2) P.C.B. (Side B)

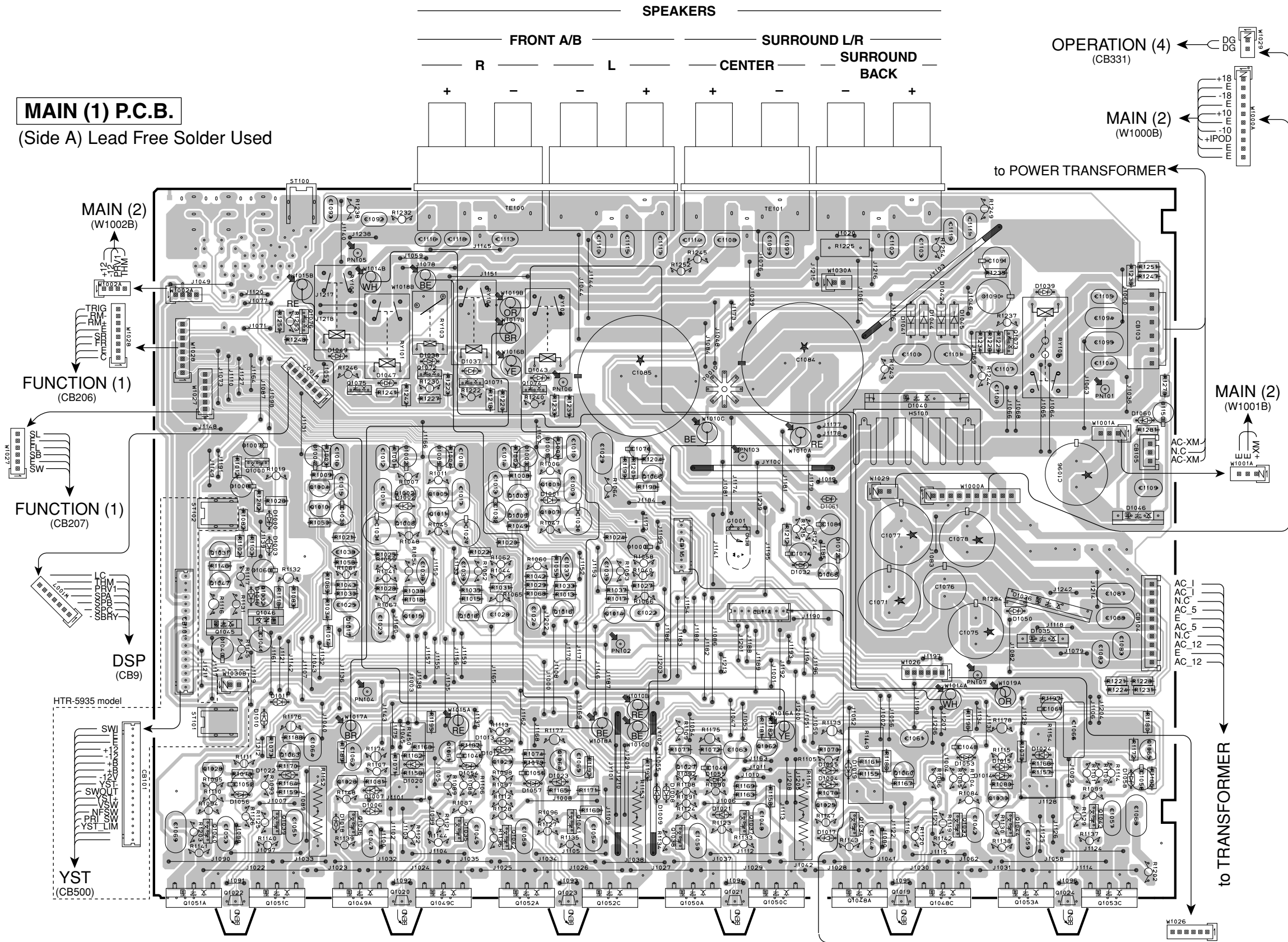
Lead Free Solder Used



• Semiconductor Location

Ref no.	Location	Ref no.	Location
IC251	H4	IC254	G4
IC253	G4	IC255	G4

MAIN (1) P.C.B.
(Side A) Lead Free Solder Used



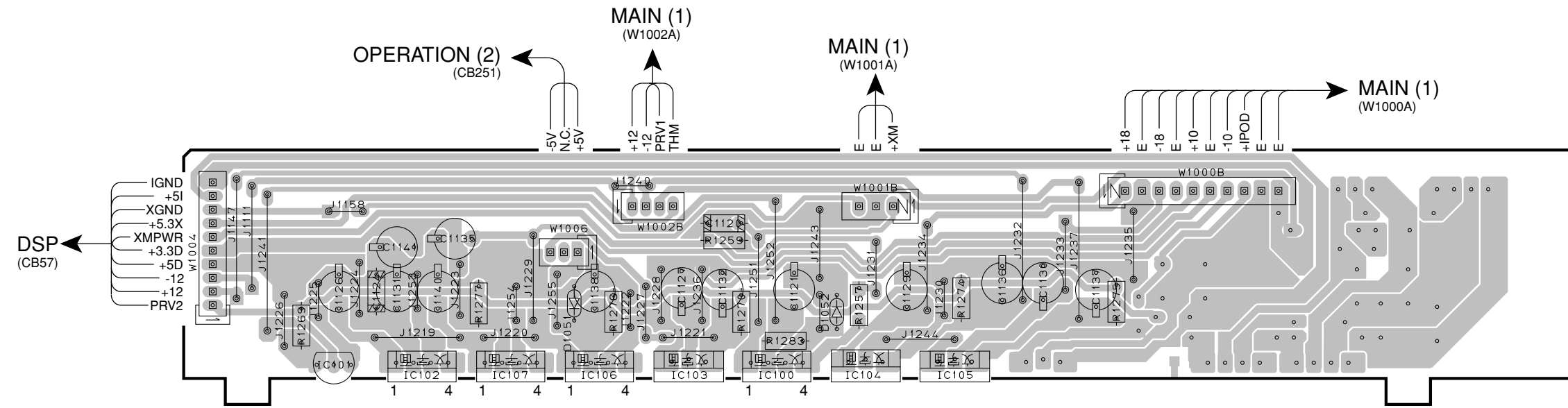
• Semiconductor Location

Ref no.	Location	Ref no.	Location
D1000	C4	Q1014	E5
D1001	E4	Q1015	D5
D1002	D4	Q1016	E5
D1003	C4	Q1017	D5
D1004	F6	Q1018	D5
D1005	F6	Q1019	G6
D1006	D6	Q1020	D6
D1007	D6	Q1021	F6
D1008	F6	Q1022	C6
D1009	E6	Q1023	E6
D1010	C5	Q1024	H6
D1011	C5	Q1025	F6
D1012	D5	Q1026	D6
D1013	D5	Q1027	F6
D1014	G6	Q1028	C6
D1015	G6	Q1029	E6
D1016	C5	Q1030	G6
D1017	F6	Q1031	C4
D1018	D6	Q1032	C5
D1019	G6	Q1033	G6
D1020	D6	Q1034	G6
D1021	F6	Q1035	D6
D1022	C6	Q1036	D6
D1023	E6	Q1037	F6
D1024	H5	Q1038	F6
D1031	C3	Q1039	C6
D1032	F4	Q1040	C6
D1033	C2	Q1041	E6
D1034	C3	Q1042	E6
D1035	H5	Q1043	H6
D1036	H5	Q1044	H6
D1037	D3	Q1045	C5
D1038	D3	Q1046	C5
D1039	H3	Q1047	C4
D1040	G3	Q1048A	G6
D1041	G3	Q1048C	G6
D1042	G3	Q1049A	D6
D1043	E3	Q1049C	D6
D1044	G3	Q1050A	F6
D1045	G3	Q1050C	F6
D1046	H4	Q1051A	C6
D1047	D3	Q1051C	C6
D1048	H4	Q1052A	E6
D1049	D3	Q1052C	E6
D1050	H5	Q1053A	H6
D1053	G6	Q1053C	H6
D1054	D6	Q1060	G6
D1055	F6	Q1061	D5
D1056	C6	Q1062	F5
D1057	E6	Q1063	C5
D1058	H6	Q1064	E5
D1060	H3	Q1065	H5
Q1000	C4	Q1066	E4
Q1001	E4	Q1068	F4
Q1002	D4	Q1069	C2
Q1003	E4	Q1070	C3
Q1004	C4	Q1071	D3
Q1005	D4	Q1072	D3
Q1007	E4	Q1073	H3
Q1008	D4	Q1074	E3
Q1009	E4	Q1075	D3
Q1010	C4	Q1076	C3
Q1011	D4		

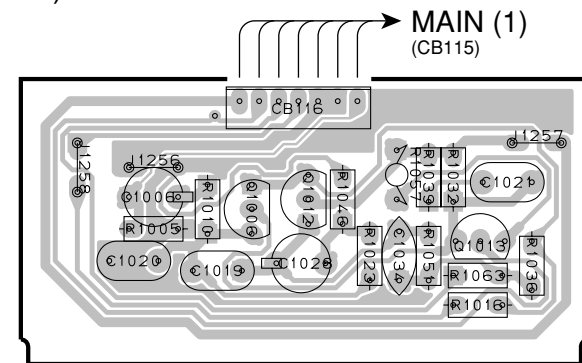
X: NOT USED
O: USED/APPLICABLE

Circuit No.	RX-V459 model/DSP-AX459 model	HTR-5935 model	Circuit No.	RX-V459 model/DSP-AX459 model	HTR-5935 model
C1003, 1013, 1014, 1024, 1032, 1037	O	X	R1002, 1008, 1013, 1020, 1029, 1033,		
J1000, 1001, 1010	X	O	1055, 1060, 1068, 1042, 1049	O	X
J1011, 1019, 1020	O	X	R1199, 1225	X	O
Q1003, 1009, 1016	O	X	W1030A	X	O

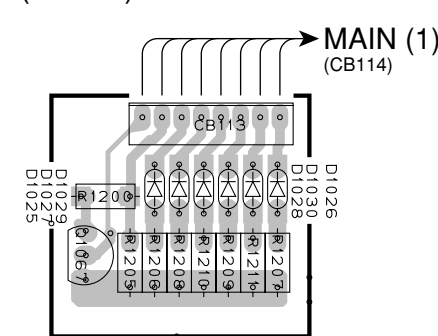
MAIN (2) P.C.B. (Side A) Lead Free Solder Used



MAIN (4) P.C.B. (Side A) Lead Free Solder Used



MAIN (5) P.C.B. (Side A) Lead Free Solder Used

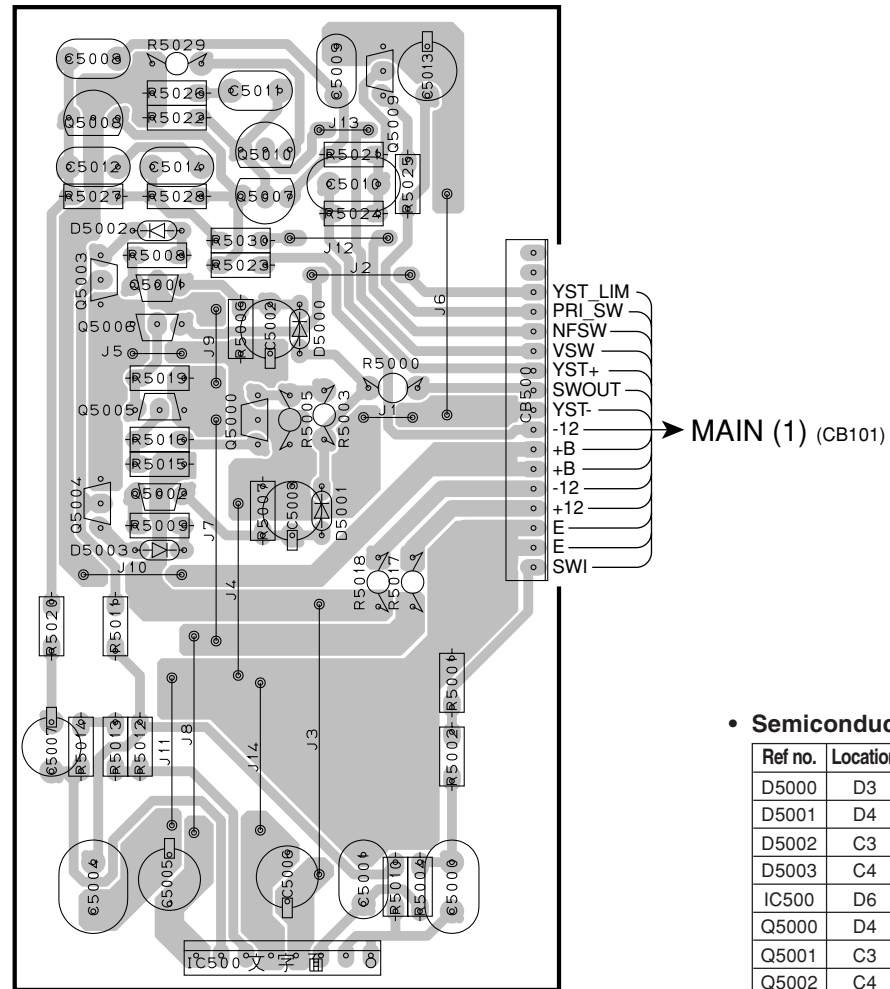


• **Semiconductor Location**

Ref no.	Location	Ref no.	Location
D1025	G6	IC103	E4
D1026	G6	IC104	F4
D1027	G6	IC105	F4
D1028	G6	IC106	D4
D1029	G6	IC107	D4
D1030	G6	IC110	F4
D1051	D3	Q1006	D6
D1052	F4	Q1012	D6
IC100	E4	Q1013	E6
IC101	C4	Q1067	F6
IC102	D4		

HTR-5935

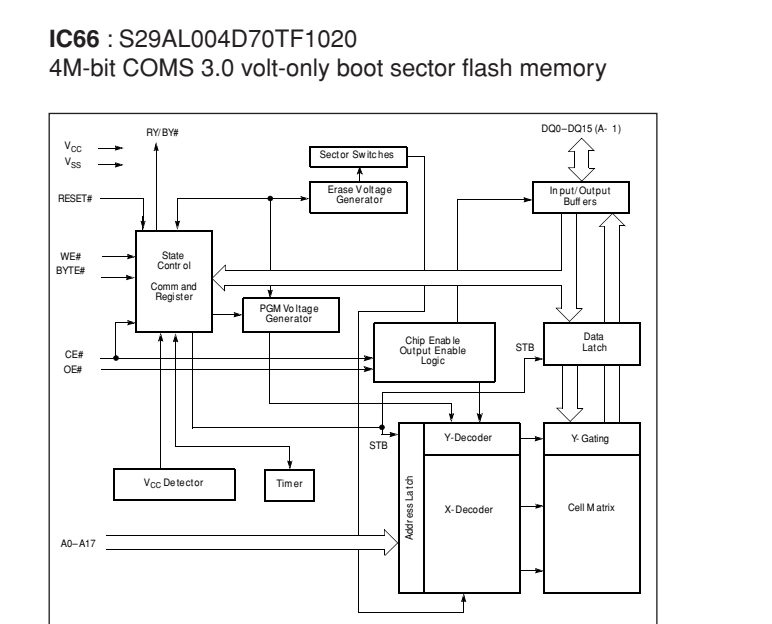
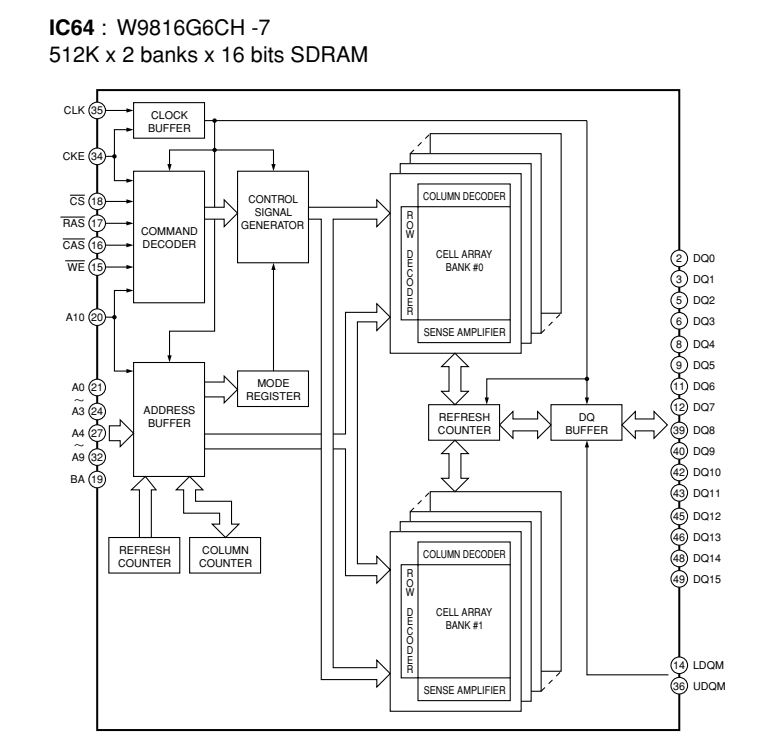
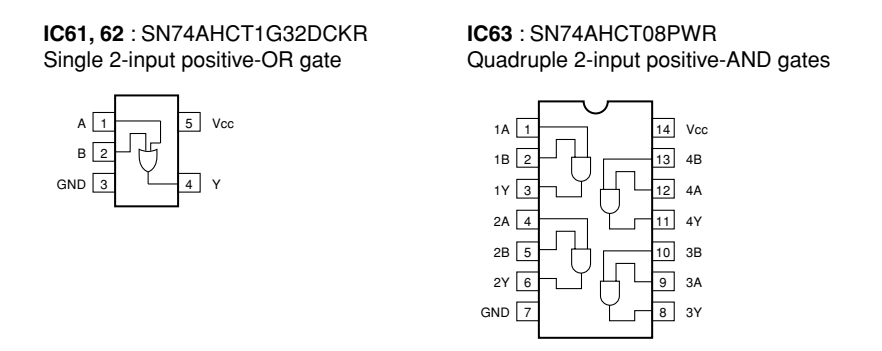
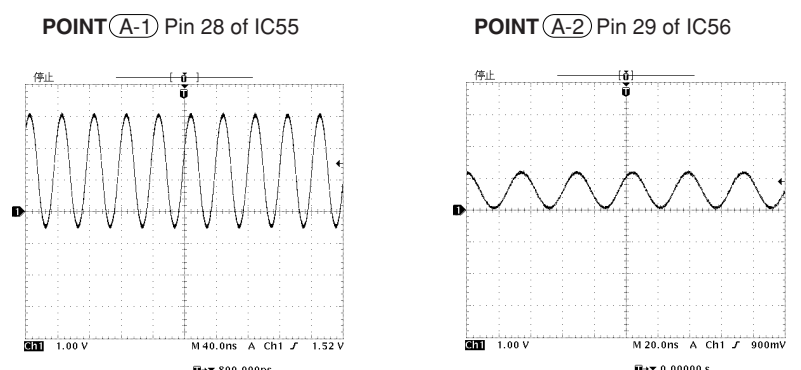
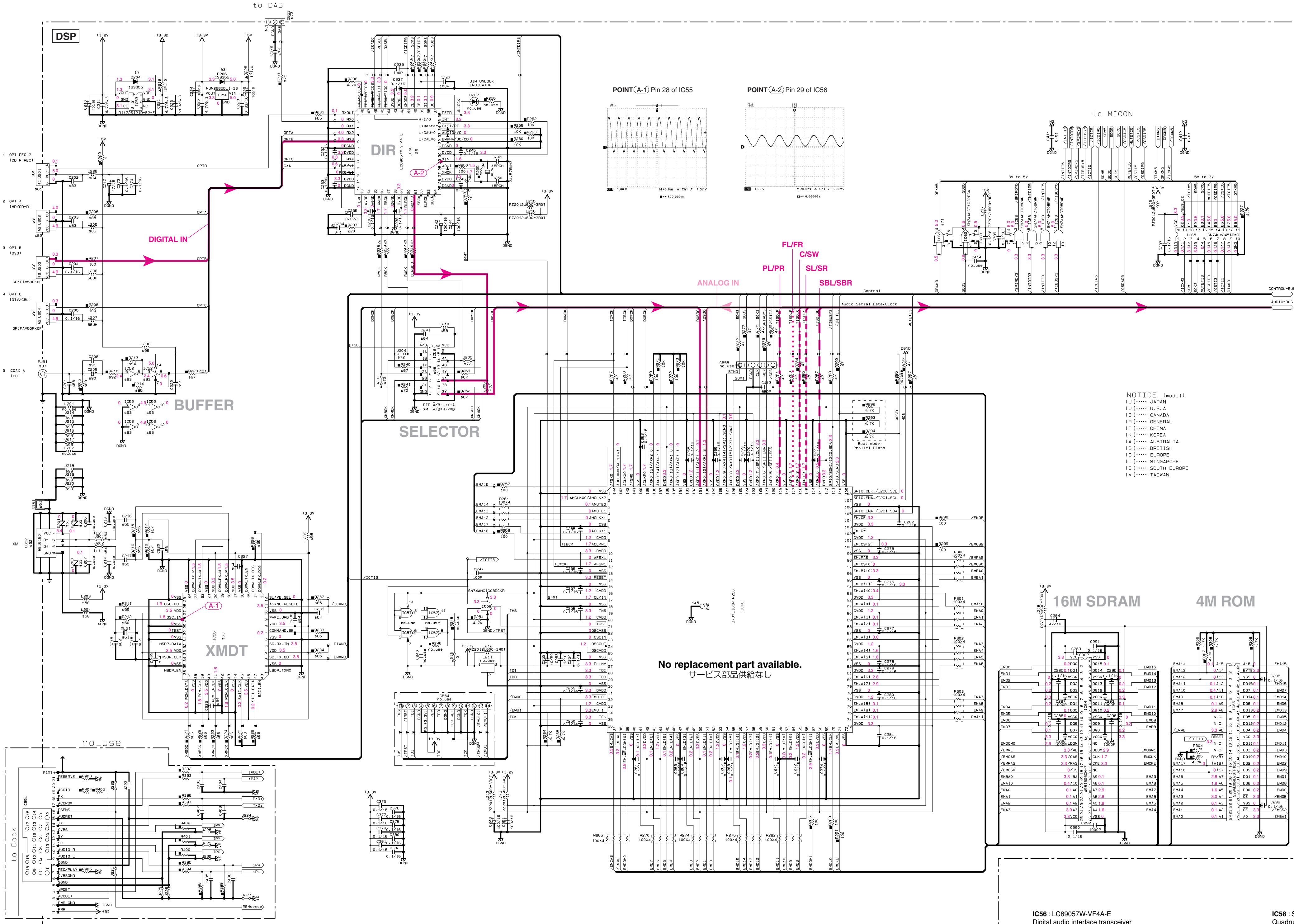
YST P.C.B. (Side A) Lead Free Solder Used



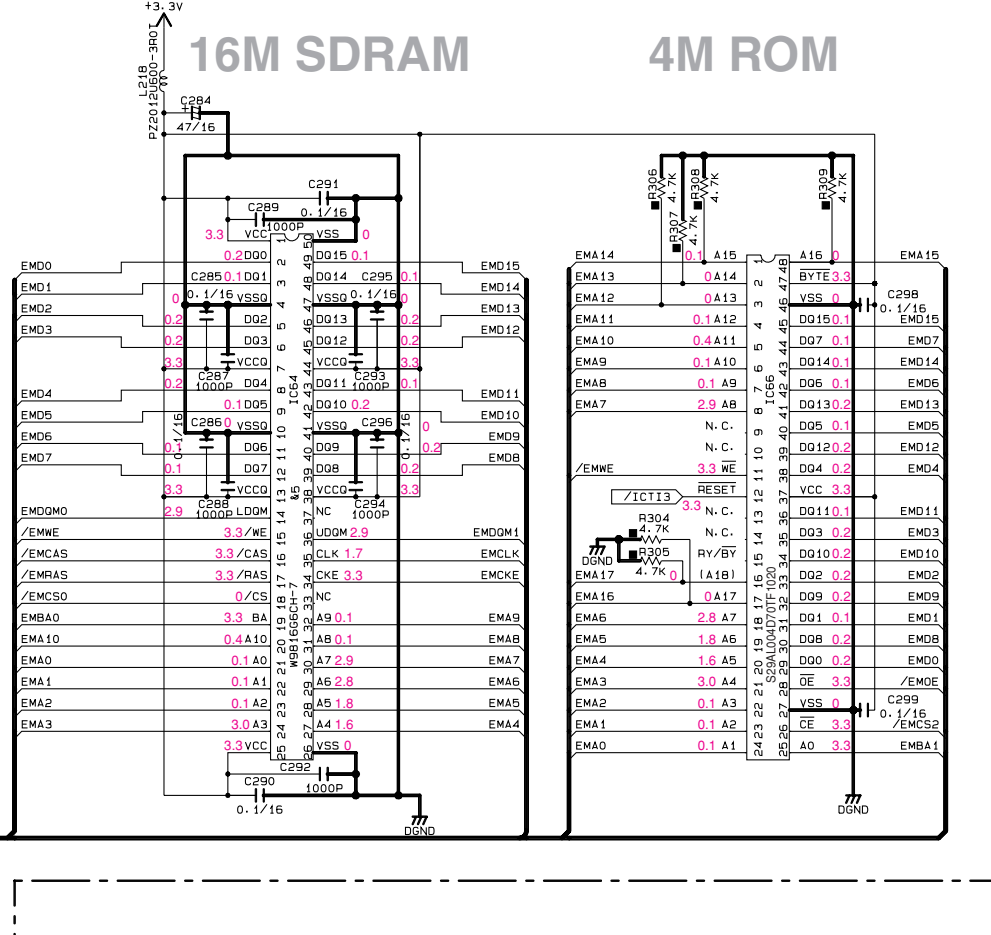
• Semiconductor Location

Ref no.	Location	Ref no.	Location
D5000	D3	Q5003	C3
D5001	D4	Q5004	C4
D5002	C3	Q5005	C4
D5003	C4	Q5006	C3
IC500	D6	Q5007	D3
Q5000	D4	Q5008	C3
Q5001	C3	Q5009	D3
Q5002	C4	Q5010	D3

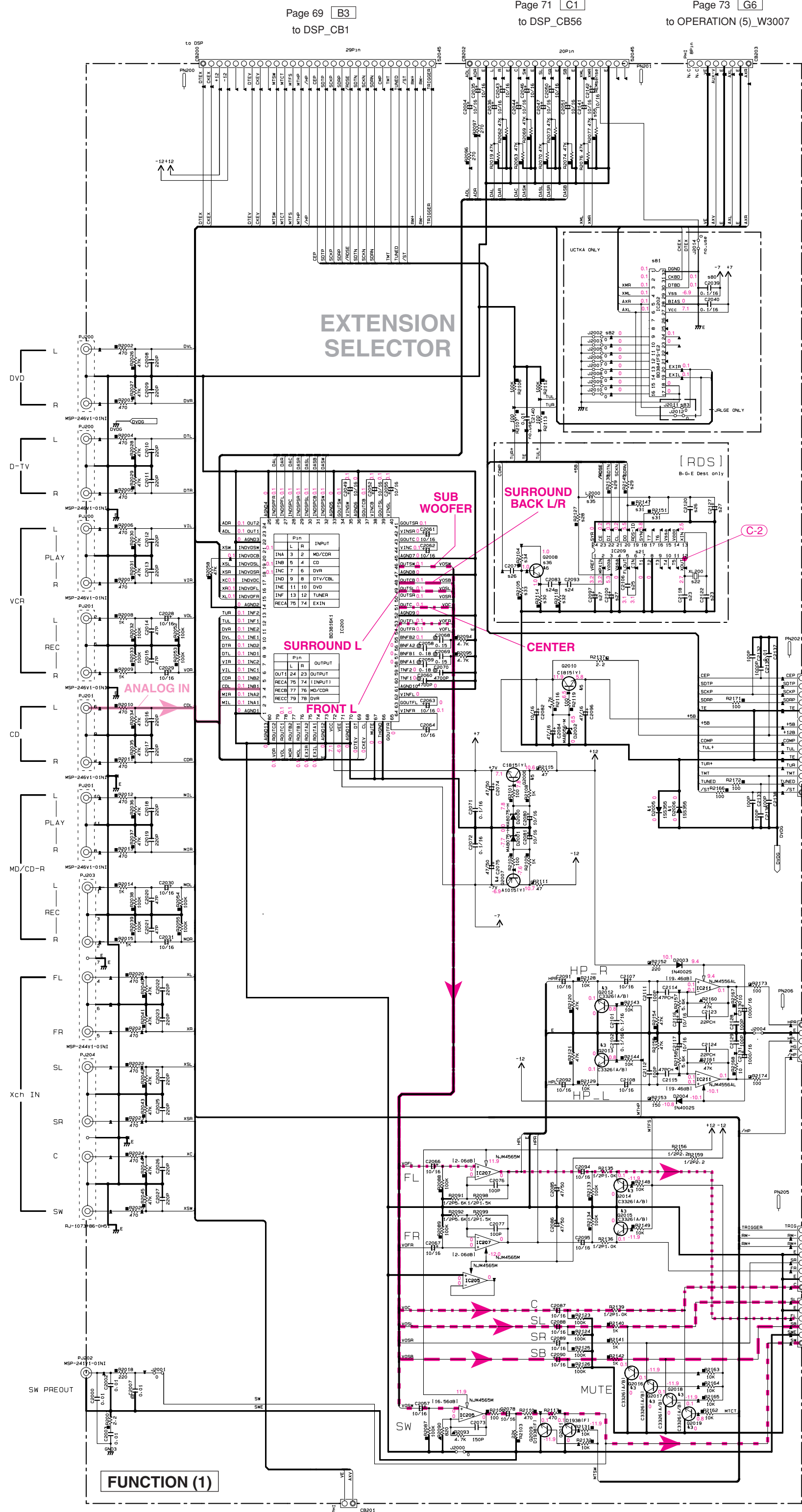
DSP 2/3



NOTICE (mode1)
 (J)..... JAPAN
 (U)..... U.S.A
 (C)..... CANADA
 (E)..... GENERAL
 (Y)..... CHINA
 (K)..... KOREA
 (A)..... AUSTRALIA
 (B)..... BRITISH
 (G)..... EUROPE
 (L)..... SINGAPORE
 (E)..... SOUTH EUROPE
 (V)..... TAIWAN



FUNCTION



Page 73 [L3] to OPERATION (2)_W2051

Interchangeable Parts List (V3030P Set)

NO.	LOC.	Part No.	Part Name	QTY	Remarks
412	W2051	W2051	W2051	1	
413	W2051	W2051	W2051	1	
414	W2051	W2051	W2051	1	
415	W2051	W2051	W2051	1	
416	W2051	W2051	W2051	1	
417	W2051	W2051	W2051	1	
418	W2051	W2051	W2051	1	
419	W2051	W2051	W2051	1	

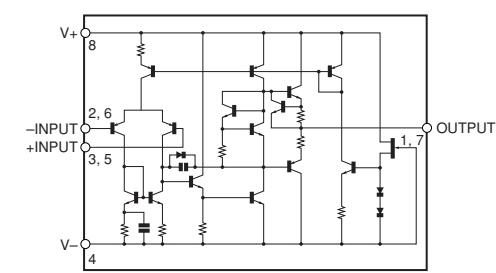
Interchangeable Parts List (V3030P Set)

NO.	LOC.	Part No.	Part Name	QTY	Remarks
420	W2051	W2051	W2051	1	
421	W2051	W2051	W2051	1	
422	W2051	W2051	W2051	1	
423	W2051	W2051	W2051	1	
424	W2051	W2051	W2051	1	
425	W2051	W2051	W2051	1	
426	W2051	W2051	W2051	1	
427	W2051	W2051	W2051	1	
428	W2051	W2051	W2051	1	
429	W2051	W2051	W2051	1	
430	W2051	W2051	W2051	1	
431	W2051	W2051	W2051	1	
432	W2051	W2051	W2051	1	
433	W2051	W2051	W2051	1	
434	W2051	W2051	W2051	1	
435	W2051	W2051	W2051	1	
436	W2051	W2051	W2051	1	
437	W2051	W2051	W2051	1	
438	W2051	W2051	W2051	1	
439	W2051	W2051	W2051	1	
440	W2051	W2051	W2051	1	
441	W2051	W2051	W2051	1	
442	W2051	W2051	W2051	1	
443	W2051	W2051	W2051	1	
444	W2051	W2051	W2051	1	
445	W2051	W2051	W2051	1	
446	W2051	W2051	W2051	1	
447	W2051	W2051	W2051	1	
448	W2051	W2051	W2051	1	
449	W2051	W2051	W2051	1	
450	W2051	W2051	W2051	1	
451	W2051	W2051	W2051	1	
452	W2051	W2051	W2051	1	
453	W2051	W2051	W2051	1	
454	W2051	W2051	W2051	1	
455	W2051	W2051	W2051	1	
456	W2051	W2051	W2051	1	
457	W2051	W2051	W2051	1	
458	W2051	W2051	W2051	1	
459	W2051	W2051	W2051	1	
460	W2051	W2051	W2051	1	
461	W2051	W2051	W2051	1	
462	W2051	W2051	W2051	1	
463	W2051	W2051	W2051	1	
464	W2051	W2051	W2051	1	
465	W2051	W2051	W2051	1	
466	W2051	W2051	W2051	1	
467	W2051	W2051	W2051	1	
468	W2051	W2051	W2051	1	
469	W2051	W2051	W2051	1	
470	W2051	W2051	W2051	1	
471	W2051	W2051	W2051	1	
472	W2051	W2051	W2051	1	
473	W2051	W2051	W2051	1	
474	W2051	W2051	W2051	1	

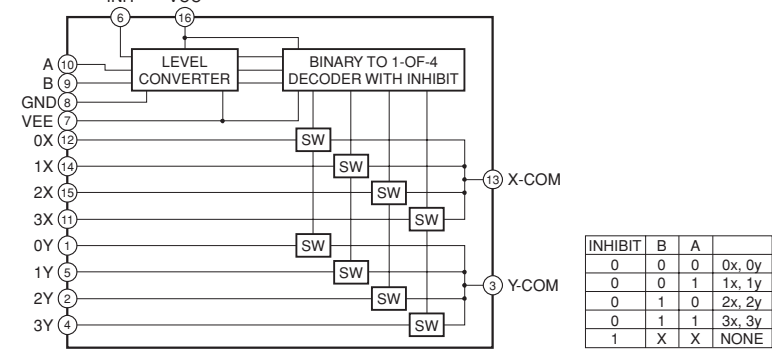
Page 74 [E2] to MAIN (1)_W1027

Page 74 [E3] to MAIN (1)_W1028

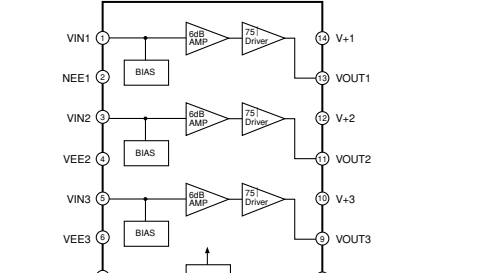
IC218 : NJM4556AL Dual operational amplifier



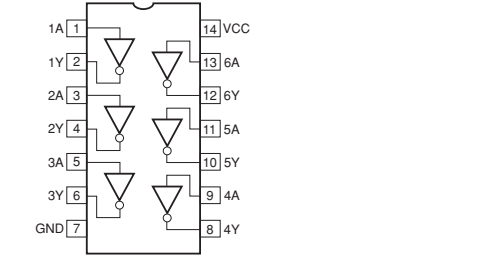
IC286-288, 289 : TC74HC4052AF Analog multiplexers/demultiplexers



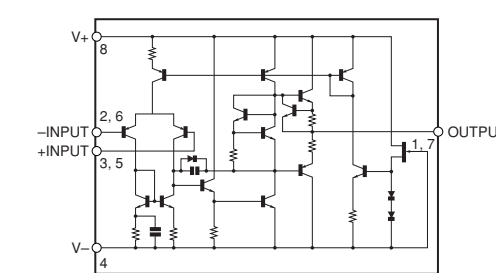
IC290 : NJM2581M Video amplifier



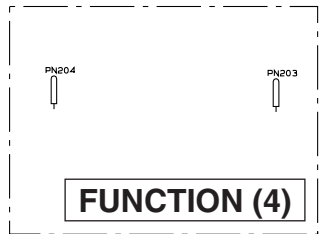
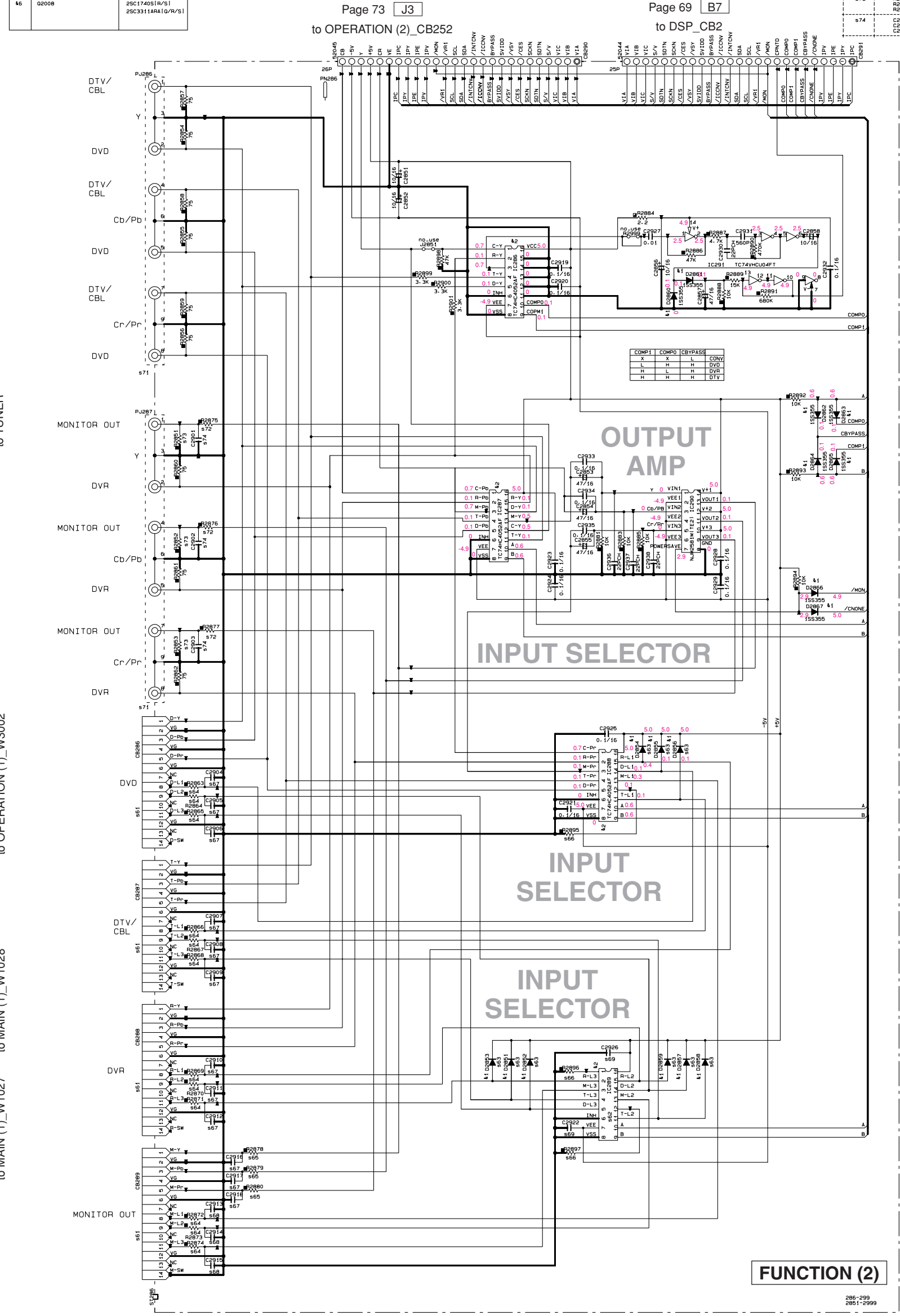
IC291 : TC74VHC04FT Hex inverters



IC205, 207 : NJM4565M Dual operational amplifier



★ All voltages are measured with a 10M Ω /V DC electronic volt meter.
 ★ Components having special characteristics are marked with a triangle, and must be replaced with parts having specifications equal to those originally installed.
 ★ Schematic diagram is subject to change without notice.
 ● 電圧は、内部抵抗10M Ω の電圧計で測定したものです。
 ● 三角形印のある部品は、安全性確保部品を示しています。部品の交換が必要な場合、パーツリストに記載されている部品を使用してください。
 ● 本回路図は標準回路図です。改良のため予告なく変更することがございます。



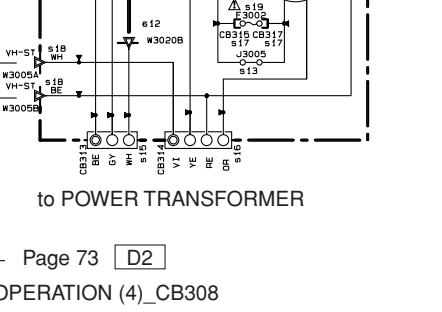
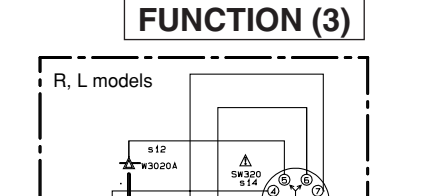
CAPACITOR

REMARKS	PARTS NAME	UNIT
NO. MARK	ELECTROLYTIC CAPACITOR	H
NO. MARK	TANTALUM CAPACITOR	H
NO. MARK	CERAMIC CAPACITOR	H
NO. MARK	CERAMIC TUNING CAPACITOR	H
NO. MARK	POLYESTER FILM CAPACITOR	H
NO. MARK	POLYPROPYLENE FILM CAPACITOR	H
NO. MARK	POLYETHYLENE FILM CAPACITOR	H
NO. MARK	SEMICONDUCTIVE CERAMIC CAPACITOR	H

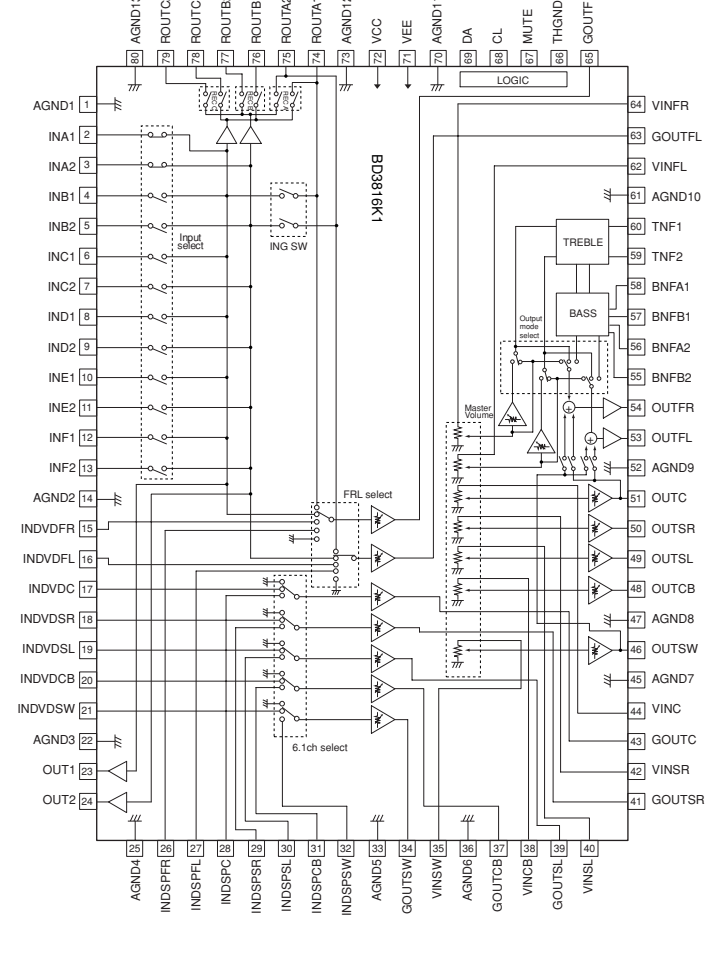
RESISTOR

REMARKS	PARTS NAME	UNIT
NO. MARK	CARBON FILM RESISTOR (1/4W)	H
NO. MARK	CARBON FILM RESISTOR (1/10W)	H
NO. MARK	METAL GLAZE FILM RESISTOR	H
NO. MARK	METAL PLATE RESISTOR	H
NO. MARK	FIRE PROOF CARBON FILM RESISTOR	H
NO. MARK	CEMENT HOUSED RESISTOR	H
NO. MARK	SEMI-VARIABLE RESISTOR	H
NO. MARK	CHIP RESISTOR	H

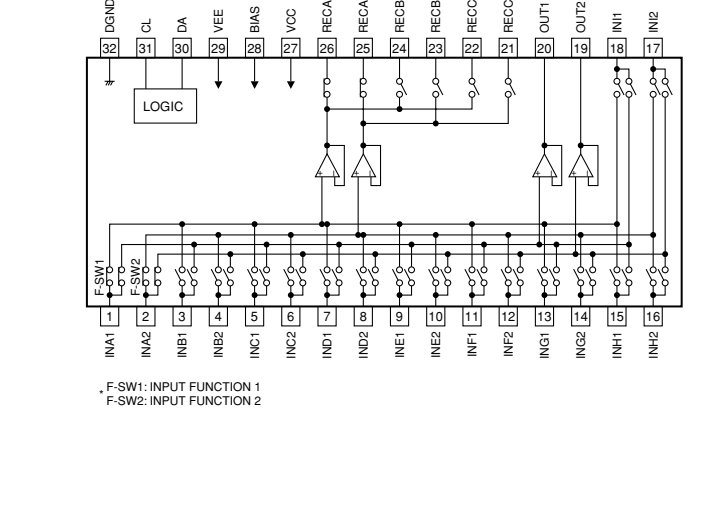
NOTICE (note)
 (J) JAPAN
 (U) U.S.A.
 (C) CANADA
 (R) GENERAL
 (T) CHINA
 (K) KOREA
 (A) AUSTRALIA
 (B) BRITISH
 (E) EUROPE
 (L) SINGAPORE
 (S) SOUTH EUROPE
 (V) TAIWAN



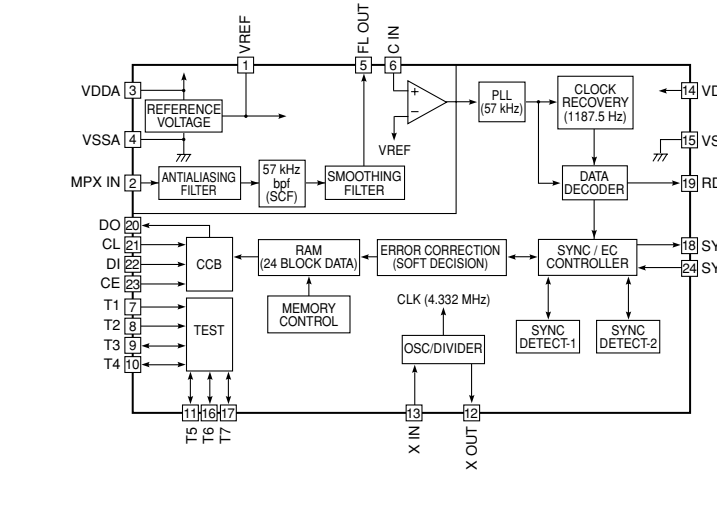
IC200 : BD3816K1 7-channel volume IC for 7-channel



IC202 : BD3841FS Function switch



IC209 : LC72722PM RDS signal processor



OPERATION

U, C, T, K, A, G, J models
to POWER TRANSFORMER

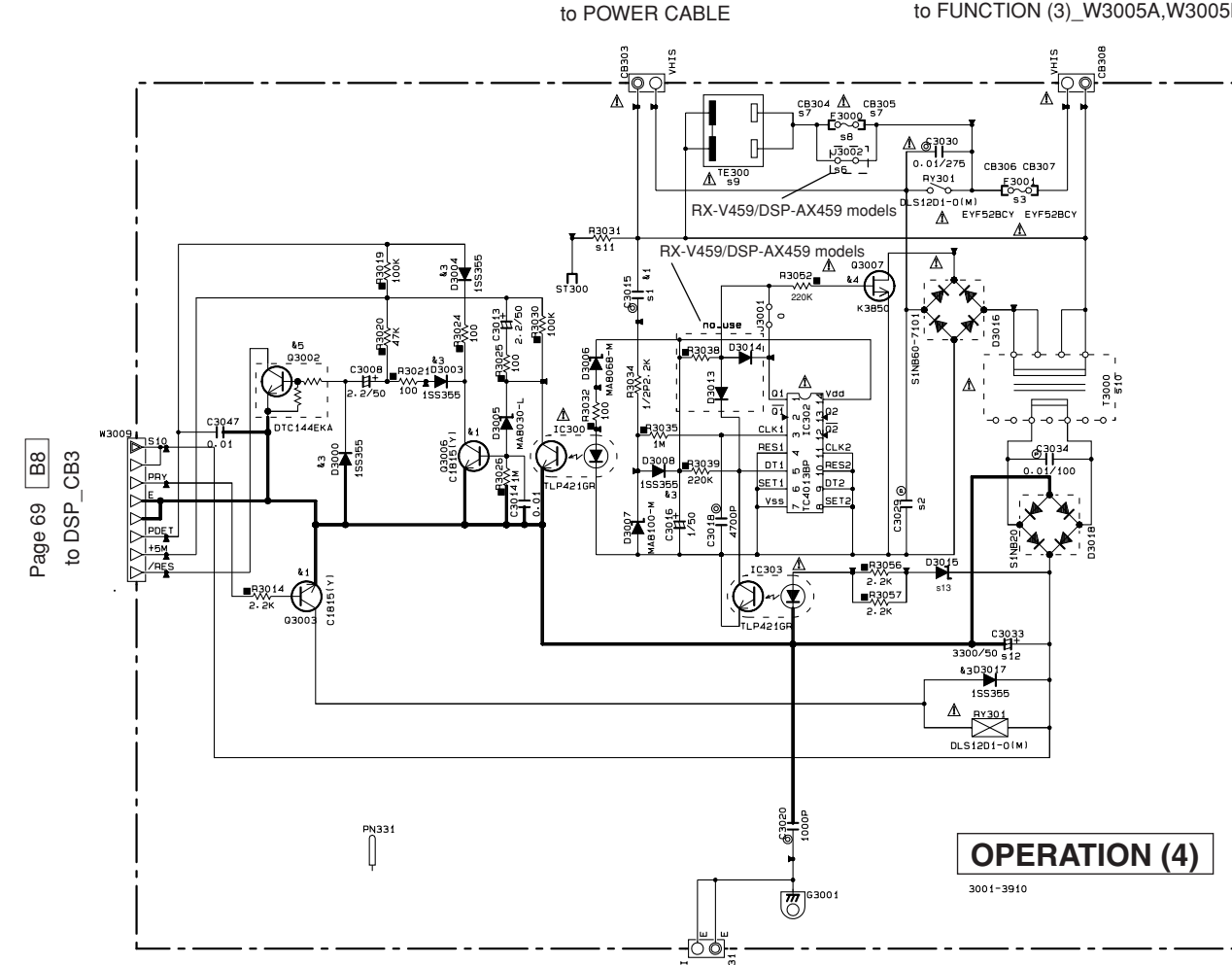
Page 72 [J9]
R, L models
to FUNCTION (3)_W3005A,W3005B

NOTICE (model)
(J)..... JAPAN
(U)..... U.S.A
(C)..... CANADA
(G)..... GENERAL
(T)..... CHINA
(K)..... KOREA
(A)..... AUSTRALIA
(B)..... BRITISH
(E)..... EUROPE
(L)..... SINGAPORE
(V)..... SOUTH EUROPE
(V)..... TAIWAN

RESISTOR PARTS NAME, CAPACITOR PARTS NAME tables with various electronic component specifications.

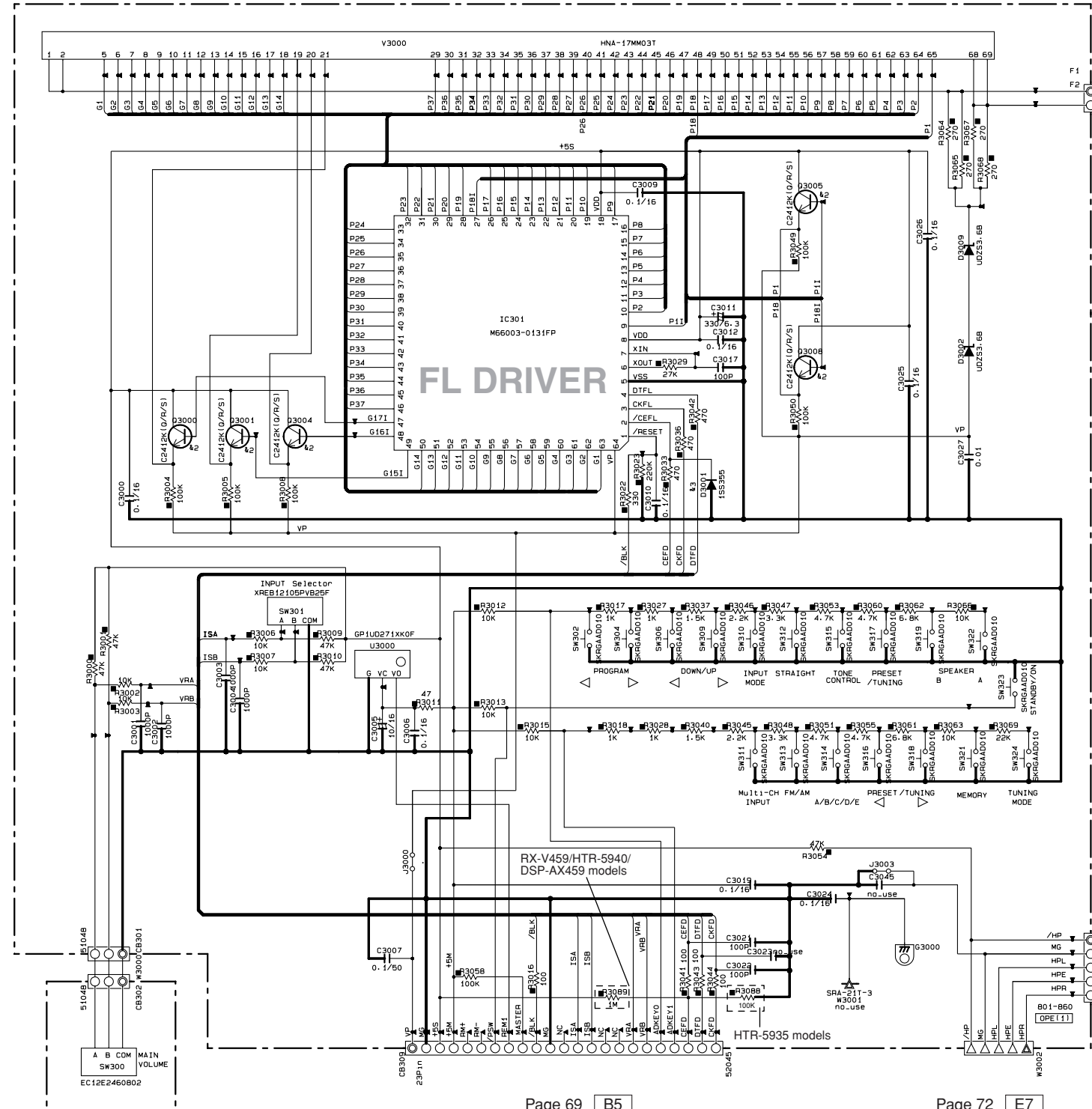
DESTINATION PART LIST table with columns for part number, description, and quantity.

Interchangeable Parts at Manufacture-Stage table with columns for part number, description, and part name.



Page 74 [H7]
to MAIN (1)_W1029

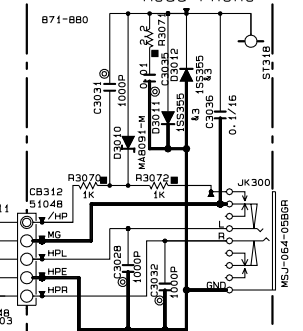
OPERATION (1)



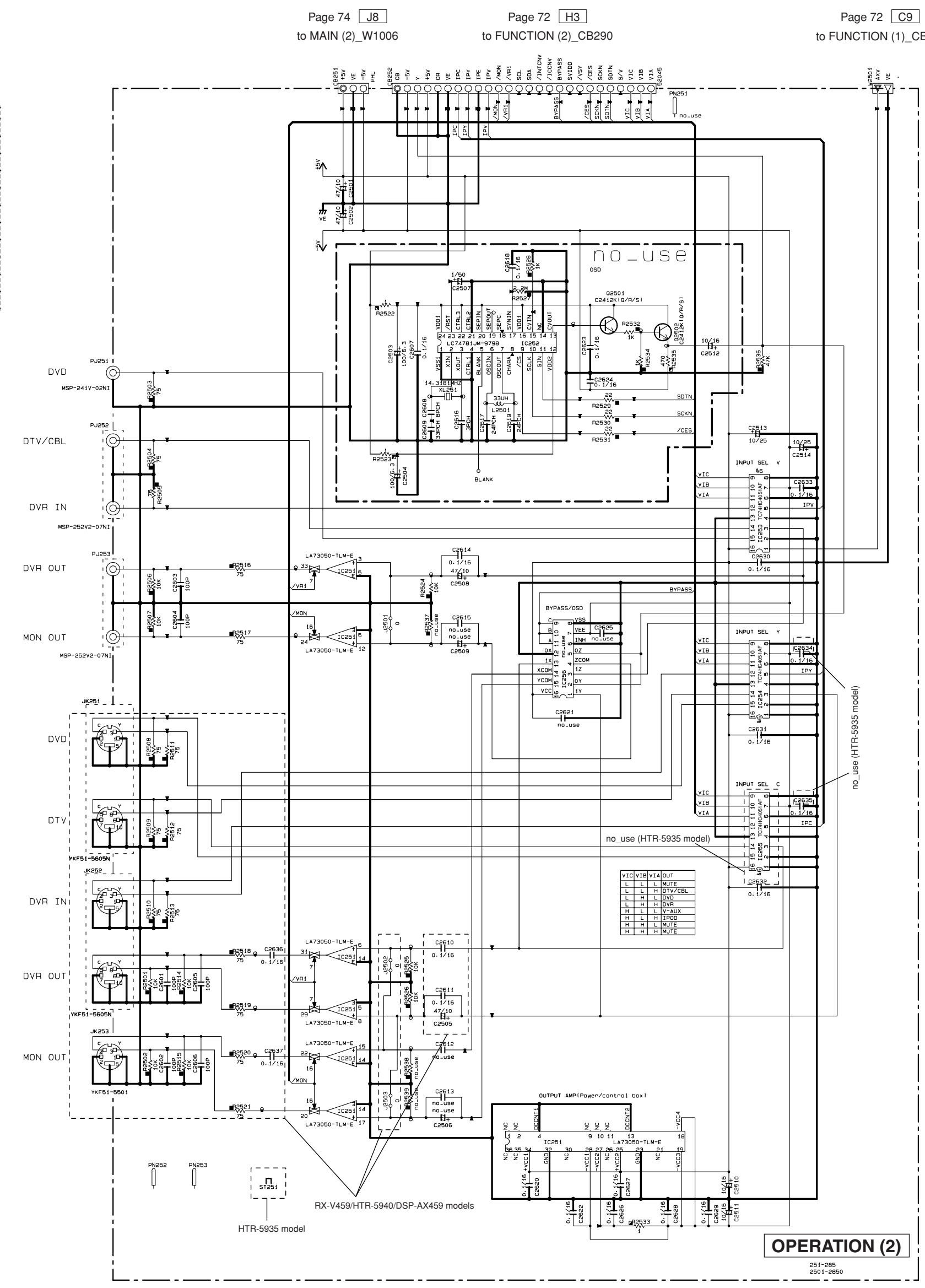
Page 69 [B5]
to DSP_CB5

Page 72 [E7]
to FUNCTION (1)_CB205

OPERATION (3)



OPERATION (5)

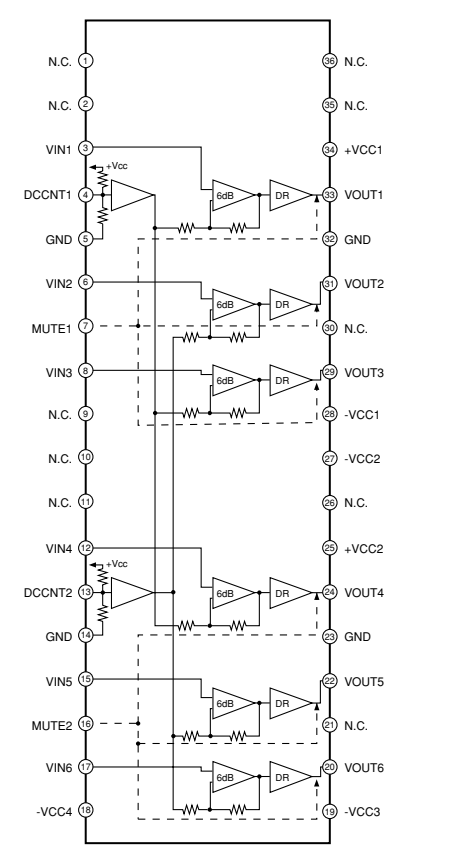


Page 74 [J8]
to MAIN (2)_W1006

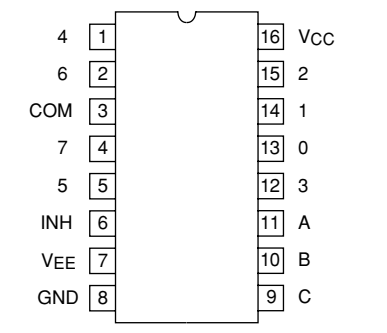
Page 72 [H3]
to FUNCTION (2)_CB290

Page 72 [C9]
to FUNCTION (1)_CB201

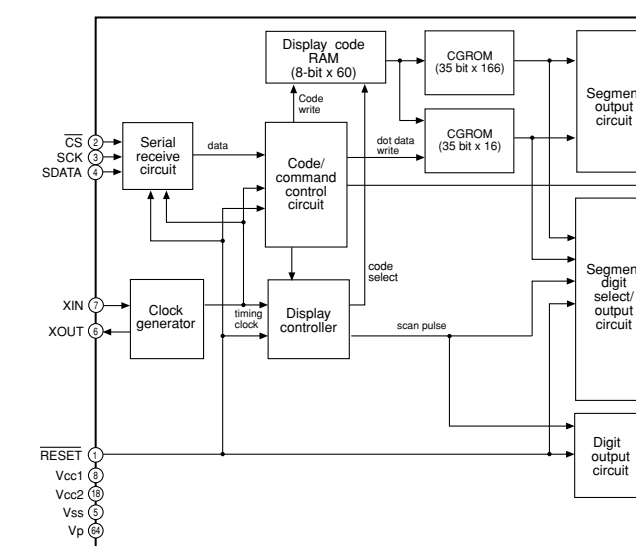
IC251 : LA73050-TLM-E
Analog amplifier



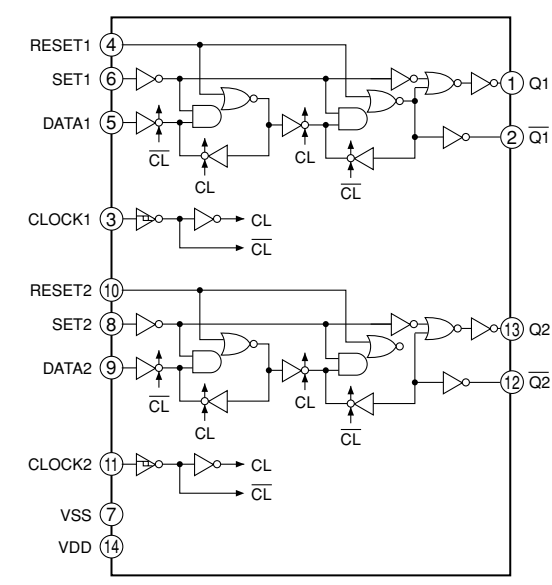
IC253-255 : TC74HC4051AF
Analog multiplexers/demultiplexers



IC301 : M66003-0131FP
FL display driver



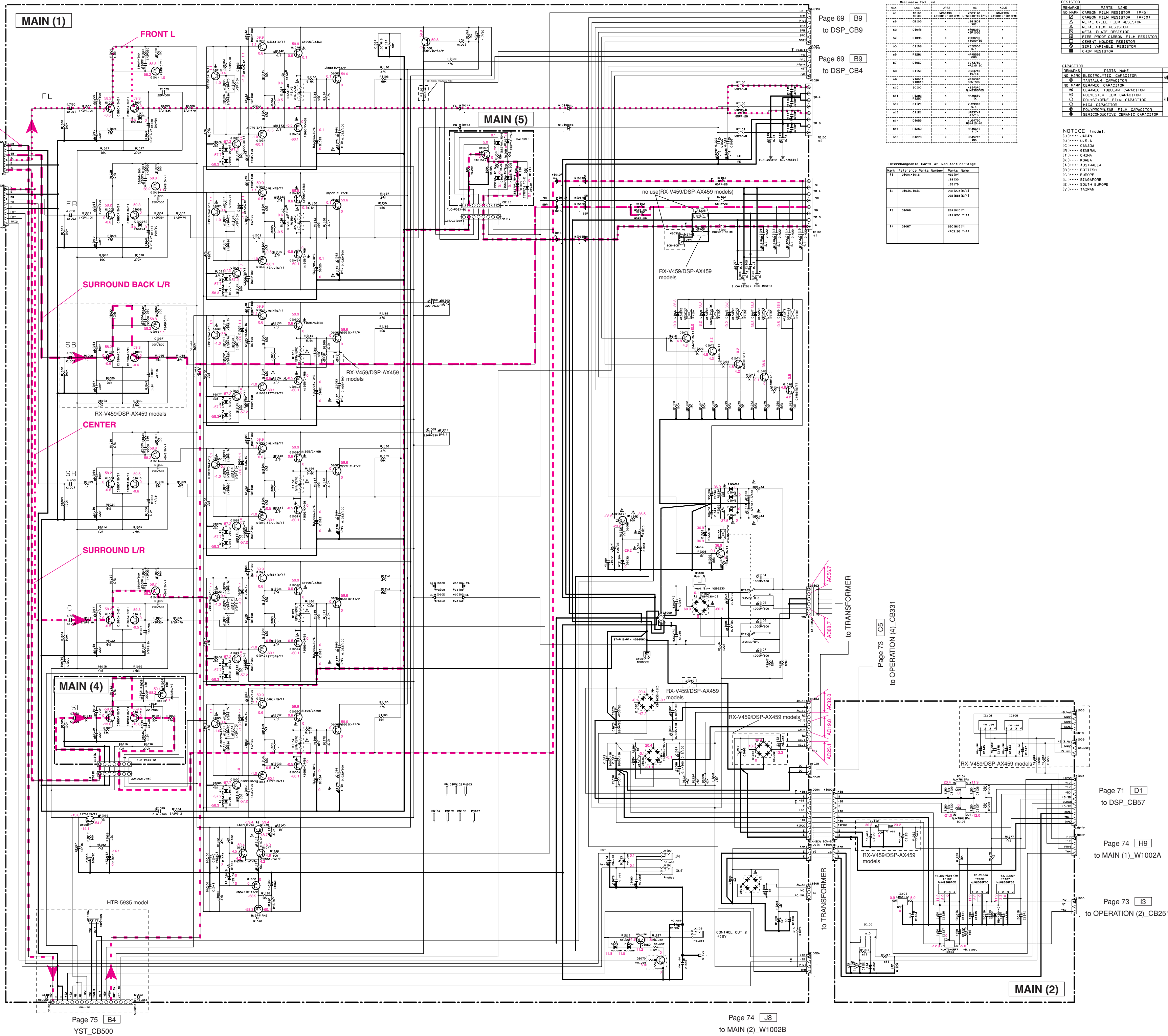
IC302 : TC4013BP
Dual D-type flip flop



* All voltages are measured with a 10MΩ/V DC electronic volt meter.
* Components having special characteristics are marked ! and must be replaced with parts having specifications equal to those originally installed.
* Schematic diagram is subject to change without notice.

● 電圧は、内部抵抗10MΩの電圧計で測定したものです。
● !印のある部品は、安全性確保部品を示しています。部品の交換が必要な場合、パーツリストに記載されている部品を使用してください。
● 本回路図は標準回路図です。改良のため予告なく変更することがございます。

MAIN



RESISTOR

NO	LOC	PART	IC	VALUE
41	1010	10000000000		100M
42	1010	10000000000		100M
43	1010	10000000000		100M
44	1010	10000000000		100M
45	1010	10000000000		100M
46	1010	10000000000		100M
47	1010	10000000000		100M
48	1010	10000000000		100M
49	1010	10000000000		100M
50	1010	10000000000		100M
51	1010	10000000000		100M
52	1010	10000000000		100M
53	1010	10000000000		100M
54	1010	10000000000		100M
55	1010	10000000000		100M
56	1010	10000000000		100M
57	1010	10000000000		100M
58	1010	10000000000		100M
59	1010	10000000000		100M
60	1010	10000000000		100M

CAPACITOR

NO	LOC	PART	IC	VALUE
61	1010	10000000000		100M
62	1010	10000000000		100M
63	1010	10000000000		100M
64	1010	10000000000		100M
65	1010	10000000000		100M
66	1010	10000000000		100M
67	1010	10000000000		100M
68	1010	10000000000		100M
69	1010	10000000000		100M
70	1010	10000000000		100M
71	1010	10000000000		100M
72	1010	10000000000		100M
73	1010	10000000000		100M
74	1010	10000000000		100M
75	1010	10000000000		100M
76	1010	10000000000		100M
77	1010	10000000000		100M
78	1010	10000000000		100M
79	1010	10000000000		100M
80	1010	10000000000		100M

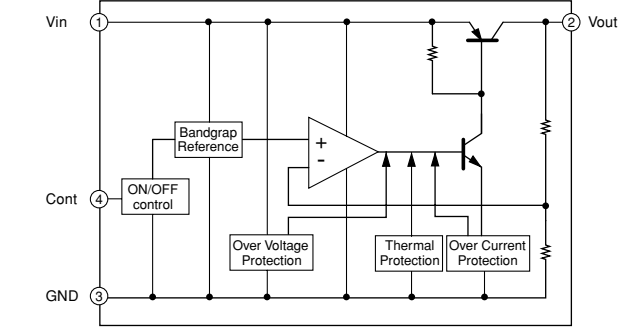
NOTICE (model)

- J..... JAPAN
- U..... U.S.A.
- C..... CANADA
- B..... BRITAIN
- T..... TAIWAN
- K..... KOREA
- A..... AUSTRALIA
- S..... SWITZERLAND
- D..... DENMARK
- L..... LUXEMBOURG
- E..... EUROPE
- V..... VIETNAM

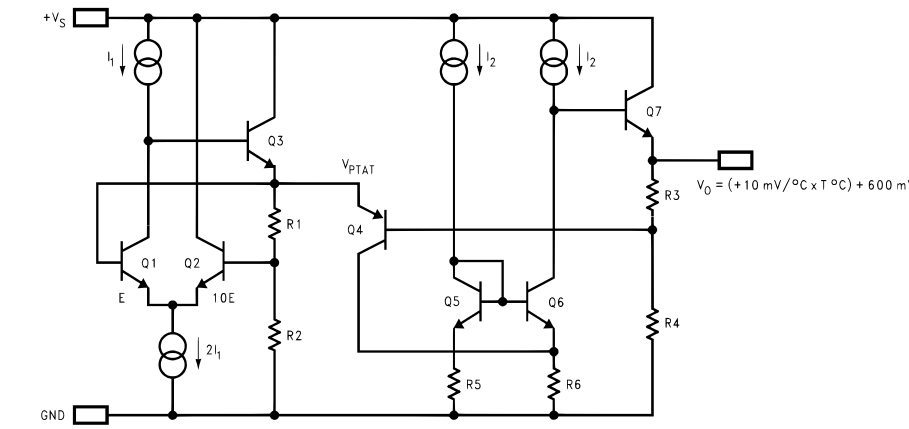
TRANSFORMER PARTS BY MANUFACTURE

NO	DESCRIPTION	DATE	NAME
1	TRANSFORMER	2007/10/11	YOSHIDA
2	TRANSFORMER	2007/10/11	YOSHIDA
3	TRANSFORMER	2007/10/11	YOSHIDA
4	TRANSFORMER	2007/10/11	YOSHIDA

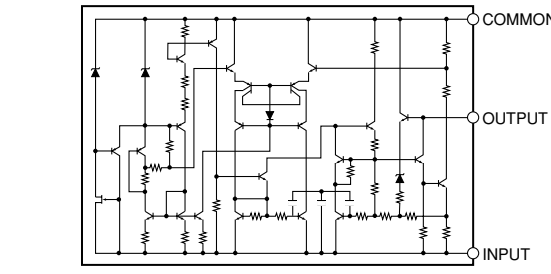
IC100, 102, 106 : NJM2388F
Low dropout voltage regulator with ON/OFF control



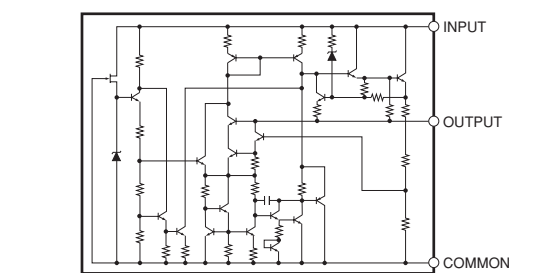
IC101 : LM61CIZ
Temperature sensor



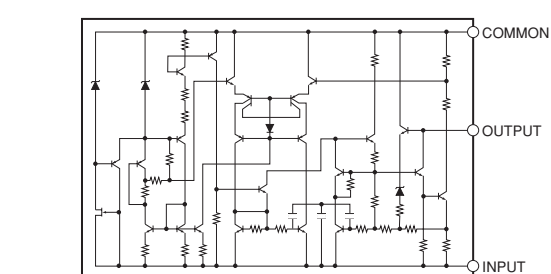
IC103 : NJM79M05FA
Voltage regulator



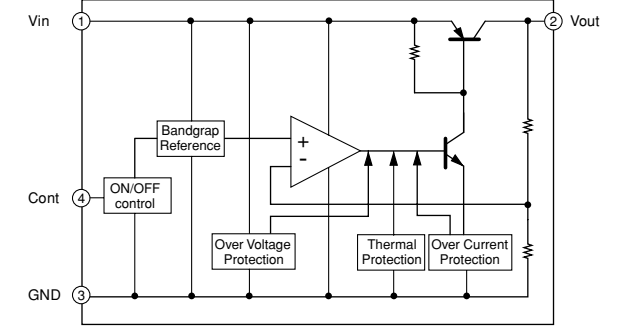
IC104 : NJM7812FA
Voltage regulator



IC105 : NJM79M12FA
Voltage regulator



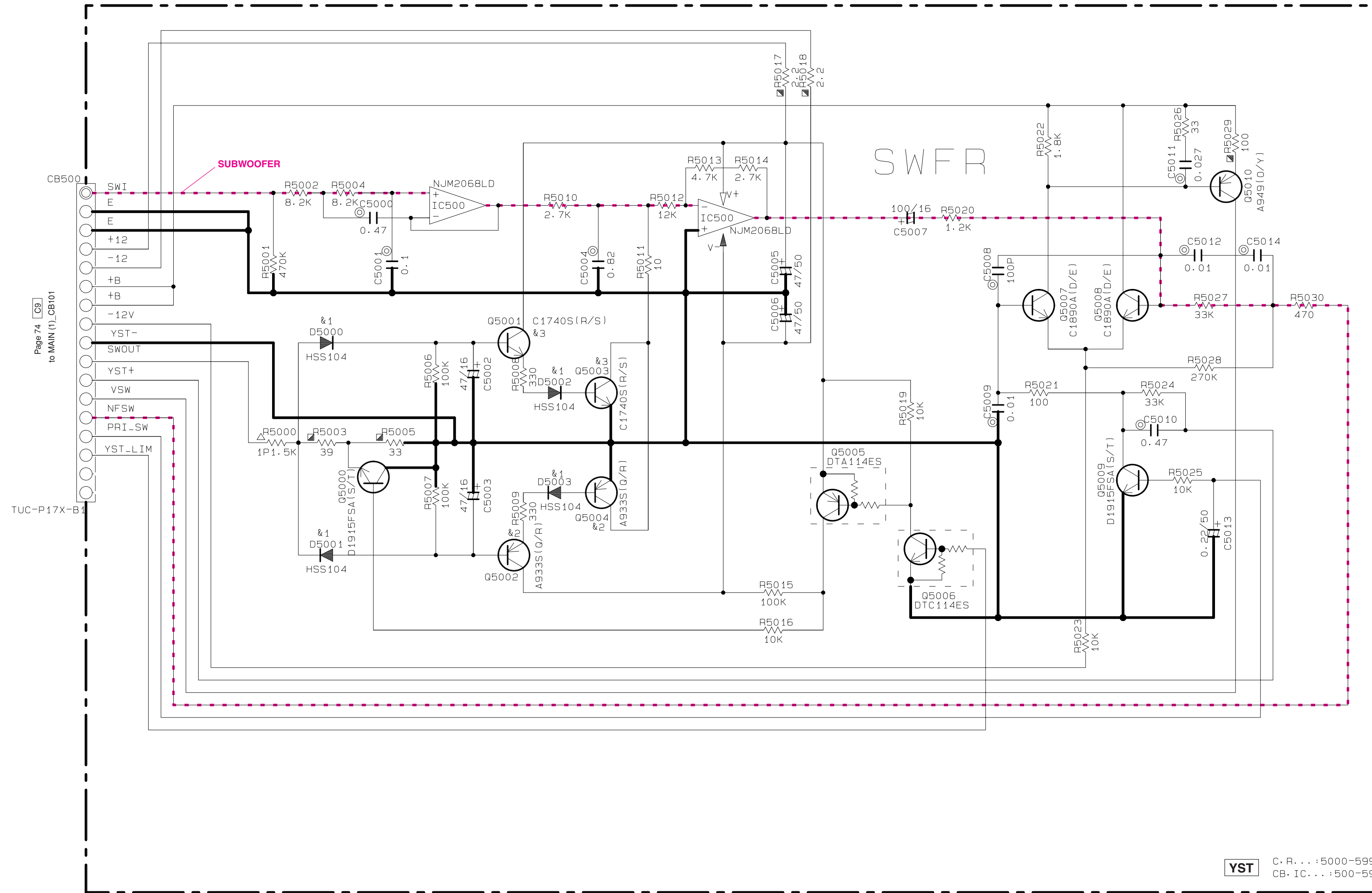
IC107 : NJM2388F
Low dropout voltage regulator with ON/OFF control



* All voltages are measured with a 10MΩ/V DC electronic volt meter.
* Components having special characteristics are marked with a triangle (▲) and must be replaced with parts having specifications equal to those originally installed.
* Schematic diagram is subject to change without notice.

● 電圧は、内部抵抗10MΩの電圧計で測定したものです。
● !印のある部品は、安全性確保部品を示しています。部品の交換が必要な場合、パーツリストに記載されている部品を使用してください。
● 本回路図は標準回路図です。改良のため予告なく変更することがございます。

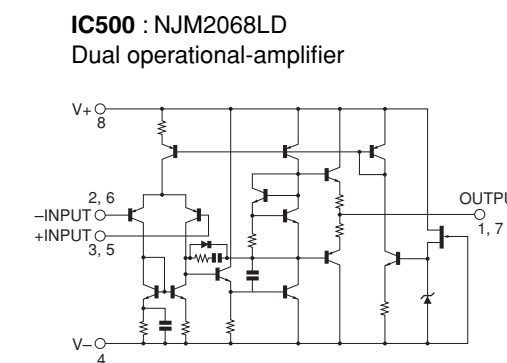
YST HTR-5935



Interchangeable Parts at Manufacture-Stage

Mark	Reference Parts Number	Parts Name
&1	D5000-5003	HSS104 1SS355 1SS176
&2	Q5002-5004	2SA933S(Q/R) 2SA1309A(Q/R/S)
&3	Q5001-5003	2SC1740S(R/S) 2SC3311ARA(Q/R/S)

NOTICE (mode1)
 (J)..... JAPAN
 (U)..... U.S.A
 (C)..... CANADA
 (R)..... GENERAL
 (T)..... CHINA
 (K)..... KOREA
 (A)..... AUSTRALIA
 (B)..... BRITISH
 (G)..... EUROPE
 (L)..... SINGAPORE
 (E)..... SOUTH EUROPE
 (V)..... TAIWAN



* All voltages are measured with a 10MΩ/V DC electronic volt meter.
 * Components having special characteristics are marked with a triangle symbol and must be replaced with parts having specifications equal to those originally installed.
 * Schematic diagram is subject to change without notice.
 ● 電圧は、内部抵抗10MΩの電圧計で測定したものです。
 ● 印のある部品は、安全性確保部品を示しています。部品の交換が必要な場合、パーツリストに記載されている部品を使用してください。
 ● 本回路図は標準回路図です。改良のため予告なく変更することがございます。

■ REPLACEMENT PARTS LIST

• ELECTRICAL COMPONENT PARTS

WARNING

- Components having special characteristics are marked \triangle and must be replaced with parts having specifications equal to those originally installed.
- \triangle 印のある部分は、安全確保部品を示しています。部品の交換が必要な場合、パーツリストに記載されている部品を使用してください。
- 部品価格ランクは、予告なく変更することがあります。

ABBREVIATIONS IN THIS LIST ARE AS FOLLOWS:

C.A.EL.CHP	: CHIP ALUMI.ELECTROLYTIC CAP	L.EMIT	: LIGHT EMITTING MODULE
C.CE	: CERAMIC CAP	LED.DSPLY	: LED DISPLAY
C.CE.ARRAY	: CERAMIC CAP ARRAY	LED.INFRD	: LED,INFRARED
C.CE.CHP	: CHIP CERAMIC CAP	MODUL.RF	: MODULATOR,RF
C.CE.ML	: MULTILAYER CERAMIC CAP	PHOT.CPL	: PHOTO COUPLER
C.CE.M.CHP	: CHIP MULTILAYER CERAMIC CAP	PHOT.INTR	: PHOTO INTERRUPTER
C.CE.SAFTY	: RECOGNIZED CERAMIC CAP	PHOT.RFLCT	: PHOTO REFLECTOR
C.CE.TUBLR	: CERAMIC TUBULAR CAP	PIN.TEST	: PIN,TEST POINT
C.CE.SMI	: SEMI CONDUCTIVE CERAMIC CAP	PLST.RIVET	: PLASTIC RIVET
C.EL	: ELECTROLYTIC CAP	R.ARRAY	: RESISTOR ARRAY
C.MICA	: MICA CAP	R.CAR.	: CARBON RESISTOR
C.ML.FLM	: MULTILAYER FILM CAP	R.CAR.CHP	: CHIP RESISTOR
C.MP	: METALLIZED PAPER CAP	R.CAR.FP	: FLAME PROOF CARBON RESISTOR
C.MYLAR	: MYLAR FILM CAP	R.FUS	: FUSABLE RESISTOR
C.MYLAR.ML	: MULTILAYER MYLAR FILM CAP	R.MTL.CHP	: CHIP METAL FILM RESISTOR
C.PAPER	: PAPER CAPACITOR	R.MTL.FLM	: METAL FILM RESISTOR
C.PLS	: POLYSTYRENE FILM CAP	R.MTL.OXD	: METAL OXIDE FILM RESISTOR
C.POL	: POLYESTER FILM CAP	R.MTL.PLAT	: METAL PLATE RESISTOR
C.POLY	: POLYETHYLENE FILM CAP	RSNR.CE	: CERAMIC RESONATOR
C.PP	: POLYPROPYLENE FILM CAP	RSNR.CRYS	: CRYSTAL RESONATOR
C.TNTL	: TANTALUM CAP	R.TW.CEM	: TWIN CEMENT FIXED RESISTOR
C.TNTL.CHP	: CHIP TANTALUM CAP	R.CEMENT	: CEMENT RESISTOR
C.TRIM	: TRIMMER CAP	SCR.BND.HD	: BIND HEAD B-TIGHT SCREW
CN	: CONNECTOR	SCR.BW.HD	: BW HEAD TAPPING SCREW
CN.BS.PIN	: CONNECTOR,BASE PIN	SCR.CUP	: CUP TIGHT SCREW
CN.CANNON	: CONNECTOR,CANNON	SCR.TERM	: SCREW TERMINAL
CN.DIN	: CONNECTOR,DIN	SCR.TR	: SCREW,TRANSISTOR
CN.FLAT	: CONNECTOR,FLAT CABLE	SUPRT.PCB	: SUPPORT,P.C.B.
CN.POST	: CONNECTOR,BASE POST	SURG.PRTCT	: SURGE PROTECTOR
COIL.MX.AM	: COIL,AM MIX	SW.TACT	: TACT SWITCH
COIL.AT.FM	: COIL,FM ANTENNA	SW.LEAF	: LEAF SWITCH
COIL.DT.FM	: COIL,FM DETECT	SW.LEVER	: LEVER SWITCH
COIL.MX.FM	: COIL,FM MIX	SW.MICRO	: MICRO SWITCH
COIL.OUTPT	: OUTPUT COIL	SW.PUSH	: PUSH SWITCH
DIOD.ARRAY	: DIODE ARRAY	SW.RT.ENC	: ROTARY ENCODER
DIODE.BRG	: DIODE BRIDGE	SW.RT.MTR	: ROTARY SWITCH WITH MOTOR
DIODE.CHP	: CHIP DIODE	SW.RT	: ROTARY SWITCH
DIODE.VAR	: VARACTOR DIODE	SW.SLIDE	: SLIDE SWITCH
DIOD.Z.CHP	: CHIP ZENER DIODE	TERM.SP	: SPEAKER TERMINAL
DIODE.ZENR	: ZENER DIODE	TERM.WRAP	: WRAPPING TERMINAL
DSCR.CE	: CERAMIC DISCRIMINATOR	THRMST.CHP	: CHIP THERMISTOR
FER.BEAD	: FERRITE BEADS	TR.CHP	: CHIP TRANSISTOR
FER.CORE	: FERRITE CORE	TR.DGT	: DIGITAL TRANSISTOR
FET.CHP	: CHIP FET	TR.DGT.CHP	: CHIP DIGITAL TRANSISTOR
FL.DSPLY	: FLUORESCENT DISPLAY	TRANS	: TRANSFORMER
FLTR.CE	: CERAMIC FILTER	TRANS.PULS	: PULSE TRANSFORMER
FLTR.COMB	: COMB FILTER MODULE	TRANS.PWR	: POWER TRANSFORMER ASS'Y
FLTR.LC.RF	: LC FILTER,EMI	TUNER.AM	: TUNER PACK,AM
GND.MTL	: GROUND PLATE	TUNER.FM	: TUNER PACK,FM
GND.TERM	: GROUND TERMINAL	TUNER.PK	: FRONT-ENDTUNER PACK
HOLDER.FUS	: FUSE HOLDER	VR	: ROTARY POTENTIOMETER
IC.PRTCT	: IC PROTECTOR	VR.MTR	: POTENTIOMETER WITH MOTOR
JUMPER.CN	: JUMPER CONNECTOR	VR.SW	: POTENTIOMETER WITH ROTARY SW
JUMPER.TST	: JUMPER,TEST POINT	VR.SLIDE	: SLIDE POTENTIOMETER
L.DTCT	: LIGHT DETECTING MODULE	VR.TRIM	: TRIMMER POTENTIOMETER

P.C.B. DSP

Ref. No.	Part No.	Description	Remarks	Markets	部 品 名	Rank	
*	WG685000	P. C. B.	DSP		J	P C B D S P	
*	WG685100	P. C. B.	DSP		UC	P C B D S P	
*	WG685200	P. C. B.	DSP		R	P C B D S P	
*	WG685300	P. C. B.	DSP		T	P C B D S P	
*	WG685400	P. C. B.	DSP		K	P C B D S P	
*	WG685500	P. C. B.	DSP		A	P C B D S P	
*	WG685700	P. C. B.	DSP		GE	P C B D S P	
*	WG685800	P. C. B.	DSP		L	P C B D S P	
CB1	VQ047900	CN	29P			F F Cコネクタ	03
CB2	VP082900	CN. BS. PIN	25P			F F Cコネクタ	02
CB3	VB390400	CN. BS. PIN	8P			ベースピン	01
CB4	VB390200	CN. BS. PIN	6P			コネクタベースポスト	01
CB5	VM689000	CN. BS. PIN	23P			F F Cコネクタ	02
CB7	VQ044400	CN. BS. PIN	9P			F F Cコネクタ	01
CB9	VB390300	CN. BS. PIN	7P			ベースピン	01
* CB52	WE161800	CN. BS. PIN	4P		UC	シリアルバスコネクタ	
CB56	VQ047500	CN. BS. PIN	20P			F F Cコネクタ	01
CB57	VB390600	CN. BS. PIN	10P			コネクタベースポスト	01
C1	US064100	C. CE. CHP	0.01uF	50V B		チップセラコン	01
C2	US062100	C. CE. CHP	100pF	50V B		チップセラコン	01
C3	UR868100	C. EL	100uF	50V		ケミコン	01
C4	US063100	C. CE. CHP	1000pF	50V B		チップセラコン	01
C5-7	US062100	C. CE. CHP	100pF	50V B		チップセラコン	01
C8	US135100	C. CE. CHP	0.1uF	16V		チップセラコン	01
C9	UR867100	C. EL	10uF	50V		ケミコン	01
C10	UR837100	C. EL	10uF	16V		ケミコン	01
C11	UR818220	C. EL	220uF	6.3V		ケミコン	01
C12	WB165500	C. EL	0.33F	5.5V		ゴールドキャパシタ	
C13	UR818220	C. EL	220uF	6.3V		ケミコン	01
C14	UR837330	C. EL	33uF	16V		ケミコン	01
C15	UR838100	C. EL	100uF	16V		ケミコン	01
C16-19	US135100	C. CE. CHP	0.1uF	16V		チップセラコン	01
C20-21	US135100	C. CE. CHP	0.1uF	16V		チップセラコン	01
C22-29	US063100	C. CE. CHP	1000pF	50V B		チップセラコン	01
C30-31	US063100	C. CE. CHP	1000pF	50V B		チップセラコン	01
C32	UR866220	C. EL	2.2uF	50V		ケミコン	01
C34-36	UR866220	C. EL	2.2uF	50V		ケミコン	01
C40-48	US064100	C. CE. CHP	0.01uF	50V B		チップセラコン	01
C50-59	US135100	C. CE. CHP	0.1uF	16V		チップセラコン	01
C60-63	US135100	C. CE. CHP	0.1uF	16V		チップセラコン	01
C201	US061220	C. CE. CHP	22pF	50V B	UCRTKAGEL	チップセラコン	01
C202-203	US135100	C. CE. CHP	0.1uF	16V	J	チップセラコン	01
C204-205	US135100	C. CE. CHP	0.1uF	16V		チップセラコン	01
C208	US135100	C. CE. CHP	0.1uF	16V	UCRTKAGEL	チップセラコン	01
C209	UR847220	C. EL	22uF	25V	UCRTKAGEL	ケミコン	01
* C211	WG251600	C. CE. CHP	4.7uF	6.3V		チップセラ	
C212	UR237470	C. EL	47uF	16V		ケミコン	
C215	US060500	C. CE. CHP	5pF	50V B	UC	チップセラコン	01
C216-217	US035100	C. CE. CHP	0.1uF	16V B	UC	チップセラコン	01
C218	US060500	C. CE. CHP	5pF	50V B	UC	チップセラコン	01
C219	US135100	C. CE. CHP	0.1uF	16V	UC	チップセラコン	01
C210	UR238100	C. EL	100uF	16V		ケミコン	
C220	US035100	C. CE. CHP	0.1uF	16V B	UC	チップセラコン	01
* C221	WG251600	C. CE. CHP	4.7uF	6.3V		チップセラ	
C222	US135100	C. CE. CHP	0.1uF	16V	UCRTKAGEL	チップセラコン	01
* C223	UR019220	C. EL	220uF	6.3V		ケミコン	
C224	UR238100	C. EL	100uF	16V		ケミコン	
* C225	WG251600	C. CE. CHP	4.7uF	6.3V		チップセラ	
C226-227	US135100	C. CE. CHP	0.1uF	16V	UC	チップセラコン	01
* C228	US135330	C. CE. CHP	0.33uF	16V		チップセラコン	01

* New Parts * 新規部品

RX-V459/HTR-5940/DSP-AX459
HTR-5935

P.C.B. DSP

Ref. No.	Part No.	Description	Remarks	Markets	部 品 名	Rank
C229	UR038100	C. EL	100uF 16V		ケミコン	
C230-231	US135100	C. CE. CHP	0.1uF 16V	UC	チップセラコン	01
C232-233	US135100	C. CE. CHP	0.1uF 16V		チップセラコン	01
C234	VE326000	C. MYLAR	0.1uF 50V		マイラーコン	01
C235	UA654220	C. MYLAR	0.022uF 50V J		マイラーコン	01
C236-238	US135100	C. CE. CHP	0.1uF 16V		チップセラコン	01
C239	US062100	C. CE. CHP	100pF 50V B		チップセラコン	01
C241	US135100	C. CE. CHP	0.1uF 16V	UC	チップセラコン	01
C242	UR238100	C. EL	100uF 16V		ケミコン	01
C243	US062100	C. CE. CHP	100pF 50V B		チップセラコン	01
C244	UR238100	C. EL	100uF 16V		ケミコン	01
C245-246	US135100	C. CE. CHP	0.1uF 16V		チップセラコン	01
C247	US062100	C. CE. CHP	100pF 50V B		チップセラコン	01
C248	UR238100	C. EL	100uF 16V		ケミコン	
C249-250	US061180	C. CE. CHP	18pF 50V B		チップセラコン	01
C251	UR238100	C. EL	100uF 16V		ケミコン	
C252	UR867100	C. EL	10uF 50V		ケミコン	01
C253	US126100	C. CE. CHP	1uF 10V		チップセラコン	01
C254	US035100	C. CE. CHP	0.1uF 16V B		チップセラコン	01
C255-283	US135100	C. CE. CHP	0.1uF 16V		チップセラコン	01
C284	UR837470	C. EL	47uF 16V		ケミコン	01
C285-286	US135100	C. CE. CHP	0.1uF 16V		チップセラコン	01
C287-289	US063100	C. CE. CHP	1000pF 50V B		チップセラコン	01
C290	US035100	C. CE. CHP	0.1uF 16V B		チップセラコン	01
C291	US135100	C. CE. CHP	0.1uF 16V		チップセラコン	01
C292-294	US063100	C. CE. CHP	1000pF 50V B		チップセラコン	01
C295-299	US135100	C. CE. CHP	0.1uF 16V		チップセラコン	01
C300	US135100	C. CE. CHP	0.1uF 16V		チップセラコン	01
C301-313	US061470	C. CE. CHP	47pF 50V B		チップセラコン	01
C314	US064100	C. CE. CHP	0.01uF 50V B		チップセラコン	01
C315	UR837100	C. EL	10uF 16V		ケミコン	01
C316-317	US064100	C. CE. CHP	0.01uF 50V B		チップセラコン	01
C318	US135100	C. CE. CHP	0.1uF 16V		チップセラコン	01
C319	UR238100	C. EL	100uF 16V		ケミコン	01
C320	US126100	C. CE. CHP	1uF 10V		チップセラコン	01
C321	US135330	C. CE. CHP	0.33uF 16V		チップセラコン	01
C322	US062100	C. CE. CHP	100pF 50V B		チップセラコン	01
C323	US035100	C. CE. CHP	0.1uF 16V B		チップセラコン	01
C324	UR837100	C. EL	10uF 16V		ケミコン	01
C325-326	US126100	C. CE. CHP	1uF 10V		チップセラコン	01
C329	US135100	C. CE. CHP	0.1uF 16V		チップセラコン	01
C330	UR238100	C. EL	100uF 16V		ケミコン	01
C332	UR837100	C. EL	10uF 16V		ケミコン	01
C333	US135100	C. CE. CHP	0.1uF 16V		チップセラコン	01
C334	UR837100	C. EL	10uF 16V		ケミコン	01
C335	US135100	C. CE. CHP	0.1uF 16V		チップセラコン	01
C336	UR238100	C. EL	100uF 16V		ケミコン	01
C337-340	US135100	C. CE. CHP	0.1uF 16V		チップセラコン	01
C341-347	UR837100	C. EL	10uF 16V		ケミコン	01
C350-351	UA654100	C. MYLAR	0.01uF 50V J		マイラーコン	01
C352-354	US062680	C. CE. CHP	680pF 50V B		チップセラコン	01
C355	UA654470	C. MYLAR	0.047uF 50V J		マイラーコン	01
C356-358	US062680	C. CE. CHP	680pF 50V B		チップセラコン	01
C361-362	UR837100	C. EL	10uF 16V		ケミコン	01
C365-367	US062100	C. CE. CHP	100pF 50V B		チップセラコン	01
C368	UA653390	C. MYLAR	3900pF 50V J		マイラーコン	01
C369-371	US062100	C. CE. CHP	100pF 50V B		チップセラコン	01
C373-390	US135100	C. CE. CHP	0.1uF 16V		チップセラコン	01
C393-398	UR237470	C. EL	47uF 16V		ケミコン	01
C399	US135100	C. CE. CHP	0.1uF 16V		チップセラコン	01

* New Parts * 新規部品

P.C.B. DSP

Ref. No.	Part No.	Description	Remarks	Markets	部 品 名	Rank
C400-402	US135100	C. CE. CHP	0. 1uF 16V		チップセラコン	01
C409-410	US135100	C. CE. CHP	0. 1uF 16V		チップセラコン	01
C411-412	US064100	C. CE. CHP	0. 01uF 50V B		チップセラコン	01
C413	US062680	C. CE. CHP	680pF 50V B		チップセラコン	01
D1-2	VT332900	DIODE	1SS355		ダイオード	01
D3	VV833200	DIODE	1SS380		ダイオード	01
D4-5	VU992600	DIODE. ZENR	MA8051-M 5. 1V		ツェナーダイオード	01
D6	VT332900	DIODE	1SS355		ダイオード	01
D7-9	VU992600	DIODE. ZENR	MA8051-M 5. 1V		ツェナーダイオード	01
D10	VT332900	DIODE	1SS355		ダイオード	01
D201-203	WE674800	DIODE	AVRL161A1R1NTB		チップバリスタ	01
D204	VT332900	DIODE	1SS355		ダイオード	01
D206	VT332900	DIODE	1SS355		ダイオード	01
D208-210	VT332900	DIODE	1SS355		ダイオード	01
D212-215	WB081800	DIODE	SB01-050		ショットキーダイオード	01
IC1	X5886A00	IC	RH5RE58AA-T1-FA		電源 I C	04
* IC2	X7361A00	IC. CPU	M30625MHP-A98GP	MASK ROM	I C C P U	
IC51	XS534A00	IC	NJM78M05DL1A (TE1)		電源 I C	02
IC52	X3936A00	IC	SN74LVU04PWR		ロジック I C	
* IC53	X7195A00	IC	R1172S121D-E2-F		電源 I C	
* IC54	X6869A00	IC	NJM2885DL1-33		電源 I C	03
* IC55	X6227B00	IC	F2602E-01		C P U / 周辺 I C	
IC56	X6989A00	IC	LC89057W-VF4A-E		I C	07
IC58	X6123A00	IC	SN74LV157APWR		ロジック I C	02
IC59	X3833A00	IC	SN74AHC1G08DCKR		ロジック I C	01
IC61	X2080A00	IC	SN74AHCT1G32DCKR		ロジック I C	01
IC62	X2080A00	IC	SN74AHCT1G32DCKR		ロジック I C	01
IC63	X3824A00	IC	SN74AHCT08PWR		ロジック I C	01
IC64	X2590B00	IC	W9816GGCH-7 SDRAM		メモリ I C 1 6 M	06
IC65	X3693A00	IC	SN74LV245APWR TRAN		ロジック I C	
* IC66	X7577A00	IC	S29AL004D70TF I020		メモリ I C 4 M	
IC67	X6123A00	IC	SN74LV157APWR		ロジック I C	02
* IC68	X7355A00	IC	PCM1680DBQR		I C	
* IC70	X7357A00	IC	PCM1803DBR		I C	
* IC71-74	X7378A00	IC	NJM4565M (TE1)		アンプ I C	
* IC76	X7378A00	IC	NJM4565M (TE1)		アンプ I C	
J201-202		R. CHP	0 Ω 1/16W J		チップ抵抗	
J203-206		R. CHP	0 Ω 1/16W J		チップ抵抗	
J214-217		R. CHP	0 Ω 1/16W J		チップ抵抗	
J218-220		R. CHP	0 Ω 1/16W J		チップ抵抗	
PJ51	V4483900	JACK. P I N	1P YKC21-3895N		ピンジャック	02
PN1-3	V9637500	P I N	L=70 #18		スタイルピン	
Q1	VP872600	T R	2SA1708 S, T		トランジスタ	01
Q2	VV655700	T R. DGT	DTC144EKA		デジタルトランジスタ	01
Q3-7	VV556500	T R	2SA1037K Q, R, S		トランジスタ	01
Q8	WF767900	F E T	5HP01C-TB-E		F E T	01
Q9	WF767900	F E T	5HP01C-TB-E		F E T	01
R21		R. CHP	10 Ω 1/16W J		チップ抵抗	
R21		R. CHP	1. 2K Ω 1/16W J		チップ抵抗	
R21		R. CHP	4. 7K Ω 1/16W J		チップ抵抗	
R21		R. CHP	6. 8K Ω 1/16W J		チップ抵抗	
R21		R. CHP	10K Ω 1/16W J		チップ抵抗	
R21		R. CHP	15K Ω 1/16W J		チップ抵抗	
R21		R. CHP	47K Ω 1/16W J		チップ抵抗	
R21		R. CHP	100K Ω 1/16W J		チップ抵抗	
R23		R. CHP	15K Ω 1/16W J		チップ抵抗	
R47		R. CHP	100 Ω 1/16W J		チップ抵抗	
R52-54		R. CHP	100 Ω 1/16W J		チップ抵抗	
R205		R. CHP	82 Ω 1/16W J		チップ抵抗	
R206		R. CHP	100 Ω 1/16W J		チップ抵抗	

* New Parts * 新規部品

RX-V459/HTR-5940/DSP-AX459
HTR-5935

P.C.B. DSP & P.C.B. FUNCTION

Ref. No.	Part No.	Description	Remarks	Markets	部 品 名	Rank
R209	HV753100	R. CAR. FP	1Ω 1/4W		不燃化カーボン抵抗	01
R210		R. CHP	680Ω 1/16W J	UCRTKAGEL	チップ抵抗	
R211		R. CHP	470Ω 1/16W J	UC	チップ抵抗	
R212		R. CHP	1MΩ 1/16W J	UC	チップ抵抗	
R213		R. CHP	4.7KΩ 1/16W J	UCRTKAGEL	チップ抵抗	
R214		R. CHP	18KΩ 1/16W J	UCRTKAGEL	チップ抵抗	
R215-216		R. CHP	100Ω 1/16W J	UC	チップ抵抗	
R217-218		R. CHP	1KΩ 1/16W J	UC	チップ抵抗	
R219	V8070000	R. MTL. FLM	1Ω 1W		金属被膜抵抗	01
R220		R. CHP	100Ω 1/16W J	UCRTKAGEL	チップ抵抗	
R221-224		R. CHP	270Ω 1/16W J	UC	チップ抵抗	
R225		R. CHP	470KΩ 1/16W J	UC	チップ抵抗	
R226	V8070000	R. MTL. FLM	1Ω 1W		金属被膜抵抗	01
R228		R. CHP	100KΩ 1/16W J	UC	チップ抵抗	
R229		R. CHP	470KΩ 1/16W J	UC	チップ抵抗	
R232-234		R. CHP	100KΩ 1/16W J	UC	チップ抵抗	
R235		R. CHP	100Ω 1/16W J	J	チップ抵抗	
R240		R. CHP	47Ω 1/16W J	UC	チップ抵抗	
R241		R. CHP	22Ω 1/16W J	UC	チップ抵抗	
R251-252		R. CHP	47Ω 1/16W J	UC	チップ抵抗	
R319	HV753100	R. CAR. FP	1Ω 1/4W		不燃化カーボン抵抗	01
R320	V8070400	R. MTL. FLM	15Ω 1W		金属被膜抵抗	
R323-324	VU224000	R. MTL. FLM	0.22Ω 1W		金属被膜抵抗	01
R325-326	V8070100	R. MTL. FLM	2.2Ω 1W		金属被膜抵抗	01
* U201	WG559700	CN. PHOTO	1P GP1FAV50TK0F	J	光ファイバデタリンク	
* U202	WG559800	CN. PHOTO	1P GP1FAV50RK0F	J	光ファイバ受信器	
* U203-204	WG559800	CN. PHOTO	1P GP1FAV50RK0F		光ファイバ受信器	
* XL1	WA674700	RSNR. CE	16MHz CSTLS16MOX51		セラミック振動子	
* XL51	WE436500	RSNR. CRY5	45.1584MHz	UC	水晶振動子	
* XL52	V3625700	RSNR. CRY5	24.576MHz		水晶振動子	03
* * * * *	WG689000	P. C. B.	FUNCTION	J	P C B ファンクション	
	WG689100	P. C. B.	FUNCTION	UCTKA	P C B ファンクション	
	WG689200	P. C. B.	FUNCTION	R	P C B ファンクション	
	WG689400	P. C. B.	FUNCTION	GE	P C B ファンクション	
	WG689500	P. C. B.	FUNCTION	L	P C B ファンクション	
CB200	VQ047900	CN	29P		F F Cコネクタ	03
CB201	VB389800	CN. BS. PIN	2P		ベースピン	01
CB202	VQ047500	CN. BS. PIN	20P		F F Cコネクタ	01
CB203	VB390400	CN. BS. PIN	8P		ベースピン	01
CB204	VM859600	CN. BS. PIN	15P		F F Cコネクタ	01
CB205	VB390100	CN. BS. PIN	5P		ベースピン	01
CB206	VB390400	CN. BS. PIN	8P		ベースピン	01
CB207	VB390200	CN. BS. PIN	6P		コネクタベースポスト	01
CB286-289	WE262500	CN. D-TERM	14P SE	J	D端子コネクタ	05
CB290	VN520900	CN. BS. PIN	52045 26P TE		F F Cコネクタ	02
CB291	VQ045400	CN. BS. PIN	25P		F F Cコネクタ	03
* CB313	V9377800	CN. BS. PIN	3P SE VH SERIES	RL	ベース付ポスト	
* CB314	V9377900	CN. BS. PIN	4P	RL	ベース付ポスト	
CB315	WC050700	CL IP. FUSE	EYF-52BCY	R	ヒューズクリップ	01
CB317	WC050700	CL IP. FUSE	EYF-52BCY	R	ヒューズクリップ	01
C2000	US064100	C. CE. CHP	0.01uF 50V B		チップセラコン	01
C2002-2003	US064100	C. CE. CHP	0.01uF 50V B		チップセラコン	01
C2004	UR837100	C. EL	10uF 16V		ケミコン	01
C2007	UA654100	C. MYLAR	0.01uF 50V J		マイラーコン	01
C2008-2013	US062220	C. CE. CHP	220pF 50V B		チップセラコン	01
C2014-2015	FG651470	C. CE	47pF 50V		セラコン	01
C2016-2019	US062220	C. CE. CHP	220pF 50V B		チップセラコン	01

* New Parts * 新規部品

P.C.B. FUNCTION

Ref. No.	Part No.	Description	Remarks	Markets	部 品 名	Rank
C2020-2021	FG651470	C. CE	47pF 50V		セラコン	01
C2022-2027	US062220	C. CE. CHP	220pF 50V B		チップセラコン	01
C2028-2031	UR837100	C. EL	10uF 16V		ケミコン	01
C2035	UR837100	C. EL	10uF 16V		ケミコン	01
C2036	UR237100	C. EL	10uF 16V		ケミコン	01
C2039-2040	US135100	C. CE. CHP	0.1uF 16V	UCTKA	チップセラコン	01
C2043	UR237100	C. EL	10uF 16V		ケミコン	01
C2044	UR237100	C. EL	10uF 16V		ケミコン	01
C2046-2047	UR237100	C. EL	10uF 16V		ケミコン	01
C2049	UR837100	C. EL	10uF 16V		ケミコン	01
C2050-2051	UR237100	C. EL	10uF 16V		ケミコン	01
C2052	UR837100	C. EL	10uF 16V		ケミコン	01
C2055	UR837100	C. EL	10uF 16V		ケミコン	01
C2057	UR837100	C. EL	10uF 16V		ケミコン	01
C2058-2059	VE326300	C. MYLAR	0.18uF 50V		マイラーコン	01
C2060	UA653470	C. MYLAR	4700pF 50V J		マイラーコン	01
C2061-2064	UR837100	C. EL	10uF 16V		ケミコン	01
C2066-2067	UR837100	C. EL	10uF 16V		ケミコン	01
C2068-2069	VE326200	C. MYLAR	0.15uF 50V		マイラーコン	01
C2070	UA653470	C. MYLAR	4700pF 50V J		マイラーコン	01
C2071-2072	US135100	C. CE. CHP	0.1uF 16V		チップセラコン	01
C2073	US062150	C. CE. CHP	150pF 50V B		チップセラコン	01
C2074-2075	UR867470	C. EL	47uF 50V		ケミコン	01
C2076-2077	US062100	C. CE. CHP	100pF 50V B		チップセラコン	01
C2078	UR837100	C. EL	10uF 16V		ケミコン	01
C2079	US135100	C. CE. CHP	0.1uF 16V	GE	チップセラコン	01
C2080-2082	UR837100	C. EL	10uF 16V		ケミコン	01
C2083	US062330	C. CE. CHP	330pF 50V B	GE	チップセラコン	01
C2084	UR837470	C. EL	47uF 16V		ケミコン	01
C2085-2086	UR867470	C. EL	47uF 50V		ケミコン	01
C2087-2092	UR837100	C. EL	10uF 16V		ケミコン	01
C2093	US062330	C. CE. CHP	330pF 50V B	GE	チップセラコン	01
C2094-2095	UR837100	C. EL	10uF 16V		ケミコン	01
C2096	UR837470	C. EL	47uF 16V		ケミコン	01
C2097	UR837470	C. EL	47uF 16V	GE	ケミコン	01
C2100	UR837470	C. EL	47uF 16V	GE	ケミコン	01
C2101-2102	US135100	C. CE. CHP	0.1uF 16V		チップセラコン	01
C2106	US062560	C. CE. CHP	560pF 50V B	GE	チップセラコン	01
C2107-2108	UR837100	C. EL	10uF 16V		ケミコン	01
C2111-2112	US062100	C. CE. CHP	100pF 50V B		チップセラコン	01
C2114-2115	US061470	C. CE. CHP	47pF 50V B		チップセラコン	01
C2116-2117	UR837100	C. EL	10uF 16V		ケミコン	01
C2118	US061270	C. CE. CHP	27pF 50V B	GE	チップセラコン	01
C2120	US135100	C. CE. CHP	0.1uF 16V	GE	チップセラコン	01
C2122	US061270	C. CE. CHP	27pF 50V B	GE	チップセラコン	01
C2123-2124	US061220	C. CE. CHP	22pF 50V B		チップセラコン	01
C2127	UR837470	C. EL	47uF 16V	GE	ケミコン	01
C2128-2129	US062100	C. CE. CHP	100pF 50V B		チップセラコン	01
C2130-2131	UR839100	C. EL	1000uF 16V		ケミコン	01
C2132-2133	US062100	C. CE. CHP	100pF 50V B		チップセラコン	01
C2135	US063100	C. CE. CHP	1000pF 50V B		チップセラコン	01
C2136	US062100	C. CE. CHP	100pF 50V B		チップセラコン	01
C2137	US064100	C. CE. CHP	0.01uF 50V B		チップセラコン	01
C2138	US062100	C. CE. CHP	100pF 50V B		チップセラコン	01
C2140	US064100	C. CE. CHP	0.01uF 50V B		チップセラコン	01
C2141-2142	UR837100	C. EL	10uF 16V	UCTKA	ケミコン	01
C2851-2852	UR837100	C. EL	10uF 16V		ケミコン	01
C2853-2855	UR837470	C. EL	47uF 16V		ケミコン	01
C2856	UR837100	C. EL	10uF 16V		ケミコン	01
C2857	UR837470	C. EL	47uF 16V		ケミコン	01

* New Parts * 新規部品

RX-V459/HTR-5940/DSP-AX459
HTR-5935

P.C.B. FUNCTION

Ref. No.	Part No.	Description	Remarks	Markets	部 品 名	Rank
C2858	UR837100	C. EL	10uF 16V		ケミコン	01
C2901-2903	US060800	C. CE. CHP	8pF 50V B		チップセラコン	01
C2904-2912	US060800	C. CE. CHP	8pF 50V B	J	チップセラコン	01
C2913-2915	US064100	C. CE. CHP	0.01uF 50V B	J	チップセラコン	01
C2916-2918	US060800	C. CE. CHP	8pF 50V B	J	チップセラコン	01
C2919-2921	US135100	C. CE. CHP	0.1uF 16V		チップセラコン	01
C2922	US135100	C. CE. CHP	0.1uF 16V	J	チップセラコン	01
C2923-2925	US135100	C. CE. CHP	0.1uF 16V		チップセラコン	01
C2926	US135100	C. CE. CHP	0.1uF 16V	J	チップセラコン	01
C2927	US064100	C. CE. CHP	0.01uF 50V B		チップセラコン	01
C2928-2929	US135100	C. CE. CHP	0.1uF 16V		チップセラコン	01
C2930	US061220	C. CE. CHP	22pF 50V B		チップセラコン	01
C2931	US062560	C. CE. CHP	560pF 50V B		チップセラコン	01
C2932-2935	US135100	C. CE. CHP	0.1uF 16V		チップセラコン	01
C2936-2938	US061220	C. CE. CHP	22pF 50V B		チップセラコン	01
D2000-2001	VU994300	DIODE. ZENR	MA8075-H 7.7V		ツェナーダイオード	
D2002	VU993000	DIODE. ZENR	MA8056-M 5.6V		ツェナーダイオード	01
D2003-2004	VV307700	DIODE	1N4002S		ダイオード	01
D2005-2006	VT332900	DIODE	1SS355		ダイオード	01
D2851-2859	VT332900	DIODE	1SS355	J	ダイオード	01
D2860-2867	VT332900	DIODE	1SS355		ダイオード	01
F3002	KB000790	FUSE	T4A 250V	R	ヒューズ	01
IC200	X5092A00	IC	BD3816K1		IC	
IC202	X3547A00	IC	BD3841FS	UCTKA	IC	06
* IC205	X7378A00	IC	NJM4565M(Te1)		アンプIC	
* IC207	X7378A00	IC	NJM4565M(Te1)		アンプIC	
IC209	X0082A00	IC	LC72722PM	GE	IC	
IC211	XP844A00	IC	NJM4556AL		IC	02
* IC286-288	XS790A00	IC	TC74HC4052AF MPX		ロジックIC	
* IC289	XS790A00	IC	TC74HC4052AF MPX	J	ロジックIC	
IC290	X2904A00	IC	NJM2581M VIDEO AMP		アンプIC	06
IC291	XZ509A00	IC	TC74VHC04FT INVER		ロジックIC	01
J2002-2003		R. CHP	0Ω 1/16W J	UCTKA	チップ抵抗	
J2005-2010		R. CHP	0Ω 1/16W J	UCTKA	チップ抵抗	
J2011-2012		R. CHP	0Ω 1/16W J	JRGEL	チップ抵抗	
PJ200-201	V7046800	JACK. PIN	6P MSP-246V1-01N1		ピンジャック	
PJ202	V7189700	JACK. PIN	1P		ピンジャック	01
PJ203	V7046700	JACK. PIN	4P MSP-244V1-01N1		ピンジャック	03
* PJ204	WG674900	JACK. PIN	4P		ピンジャック 4 P	
* PJ286-287	WG471900	JACK. PIN	6P	UCRKTAGEL	ピンジャック 6 P	
PN200-206	V9637500	PIN	L=70 #18		スタイルピン	
PN286	V9637500	PIN	L=70 #18		スタイルピン	
Q2006	iC181510	TR	2SC1815 Y		トランジスタ	01
Q2007	iA101510	TR	2SA1015 Y		トランジスタ	01
Q2008	iC174020	TR	2SC1740S QRS	GE	トランジスタ	01
Q2009	VZ725900	TR	2SD1938F S,T		トランジスタ	01
Q2010	iC181510	TR	2SC1815 Y		トランジスタ	01
Q2011	VZ725900	TR	2SD1938F S,T		トランジスタ	01
Q2012-2019	VD303700	TR	2SC3326 A,B		トランジスタ	01
R2091-2092	HF356560	R. CAR	5.6KΩ 1/2W		カーボン抵抗	
R2098-2099	HF356150	R. CAR	1.5KΩ 1/2W		カーボン抵抗	
R2104		R. CHP	100KΩ 1/16W J	GE	チップ抵抗	
R2105		R. CHP	33KΩ 1/16W J	GE	チップ抵抗	
R2111	HV754470	R. CAR. FP	47Ω 1/4W		不燃化カーボン抵抗	01
R2114		R. CHP	3.3KΩ 1/16W J	GE	チップ抵抗	
R2115	HV754470	R. CAR. FP	47Ω 1/4W		不燃化カーボン抵抗	01
R2118		R. CHP	22KΩ 1/16W J	GE	チップ抵抗	
R2127		R. CHP	100Ω 1/16W J	GE	チップ抵抗	
R2135-2136	HF356100	R. CAR	1KΩ 1/2W		カーボン抵抗	
R2137	HV753220	R. CAR. FP	2.2Ω 1/4W		不燃化カーボン抵抗	01

* New Parts * 新規部品

P.C.B. FUNCTION & P.C.B. OPERATION

Ref. No.	Part No.	Description	Remarks	Markets	部 品 名	Rank	
R2138		R. CHP	470Ω 1/16W J		チップ抵抗		
R2139	HF356100	R. CAR	1KΩ 1/2W		カーボン抵抗		
R2145		R. CHP	470Ω 1/16W J	GE	チップ抵抗		
R2147		R. CHP	10KΩ 1/16W J	GE	チップ抵抗		
R2151		R. CHP	10KΩ 1/16W J	GE	チップ抵抗		
R2152	HV755220	R. CAR. FP	220Ω 1/4W		不燃化カーボン抵抗	01	
R2153	HV755150	R. CAR. FP	150Ω 1/4W		不燃化カーボン抵抗	01	
R2156	HF353220	R. CAR	2.2Ω 1/2W		カーボン抵抗		
R2159	HF353220	R. CAR	2.2Ω 1/2W		カーボン抵抗		
R2173-2174	HV755100	R. CAR. FP	100Ω 1/4W		不燃化カーボン抵抗	01	
R2851-2852		R. CHP	10KΩ 1/16W J	UCRTKAGEL	チップ抵抗		
R2853		R. CHP	10KΩ 1/16W J	UCRTKAL	チップ抵抗		
R2863-2874		R. CHP	100Ω 1/16W J	J	チップ抵抗		
R2875-2877		R. CHP	75Ω 1/16W J	UCRTKAGEL	チップ抵抗		
R2878-2880		R. CHP	75Ω 1/16W J	J	チップ抵抗		
R2884	HV753220	R. CAR. FP	2.2Ω 1/4W		不燃化カーボン抵抗	01	
R2895-2897		R. CHP	10KΩ 1/16W J	J	チップ抵抗		
ST286	V4040500	SCR. TERM	M3		スクリュー/ターミナル	01	
SW320	WB493700	VOLT. SELCT	R8140246	R	電圧切替器		
SW320	WD073700	VOLT. SELCT	R8140254	L	電圧切替器		
XL200	V3930900	RSNR. CRYST	4.332MHz	GE	水晶振動子	05	
* * * * * * * *	WG771600	P. C. B.	OPERATION	459	J	P C B オペレーション	
	WG771700	P. C. B.	OPERATION	459, 5940	UC	P C B オペレーション	
	WG771800	P. C. B.	OPERATION	459	R	P C B オペレーション	
	WG771900	P. C. B.	OPERATION	459, 5940	TK	P C B オペレーション	
	WG772000	P. C. B.	OPERATION	459, 5940	A	P C B オペレーション	
	WG772200	P. C. B.	OPERATION	459, 5940	GE	P C B オペレーション	
	WG772300	P. C. B.	OPERATION	459	L	P C B オペレーション	
	WG772400	P. C. B.	OPERATION	5935	U	P C B オペレーション	
△	CB251	VB858200	CN. BS. PIN	3P		ベースピン	01
	CB252	VN520900	CN. BS. PIN	52045 26P TE		F F Cコネクタ	02
	CB303	VG879900	CN. BS. PIN	2P		ベースピン	01
	CB304	WC050700	CL. IP. FUSE	EYF-52BCY	UCGE	ヒューズクリップ	01
	CB305	WC050700	CL. IP. FUSE	EYF-52BCY	UCGE	ヒューズクリップ	01
△	CB306-307	WC050700	CL. IP. FUSE	EYF-52BCY		ヒューズクリップ	01
	CB308	VG879900	CN. BS. PIN	2P		ベースピン	01
	CB309	VM689000	CN. BS. PIN	23P		F F Cコネクタ	02
	CB310	LB919020	CN. BS. PIN	2P		ベース付ポスト	01
	CB331	LB918020	CN. BS. PIN	2P		ベース付ポスト	01
	C2501	UR827470	C. EL	47uF 10V		ケミコン	01
	C2502	UR827470	C. EL	47uF 10V		ケミコン	01
	C2505	UR827470	C. EL	47uF 10V	459, 5940	ケミコン	01
	C2508	UR827470	C. EL	47uF 10V		ケミコン	01
	C2510	UR837100	C. EL	10uF 16V		ケミコン	01
	C2511	UR837100	C. EL	10uF 16V		ケミコン	01
	C2513-2514	UR847100	C. EL	10uF 25V		ケミコン	01
	C2601-2603	US062100	C. CE. CHP	100pF 50V B	459, 5940	チップセラコン	01
	C2610	US135100	C. CE. CHP	0.1uF 16V	459, 5940	チップセラコン	01
	C2614	US135100	C. CE. CHP	0.1uF 16V		チップセラコン	01
	C2620	US135100	C. CE. CHP	0.1uF 16V		チップセラコン	01
	C2622	US135100	C. CE. CHP	0.1uF 16V		チップセラコン	01
	C2626	US135100	C. CE. CHP	0.1uF 16V		チップセラコン	01
	C2627	US135100	C. CE. CHP	0.1uF 16V		チップセラコン	01
	C2628	US135100	C. CE. CHP	0.1uF 16V		チップセラコン	01
	C2629-2630	US135100	C. CE. CHP	0.1uF 16V		チップセラコン	01
	C2633-2637	US135100	C. CE. CHP	0.1uF 16V		チップセラコン	01
	C3000	US135100	C. CE. CHP	0.1uF 16V		チップセラコン	01

* New Parts * 新規部品

P.C.B. OPERATION

Ref. No.	Part No.	Description	Remarks	Markets	部 品 名	Rank
C3001	US063100	C. CE. CHP	1000pF 50V B		チップセラコン	01
C3002	US063100	C. CE. CHP	1000pF 50V B		チップセラコン	01
C3003	US063100	C. CE. CHP	1000pF 50V B		チップセラコン	01
C3004	US063100	C. CE. CHP	1000pF 50V B		チップセラコン	01
C3005	UM397100	C. EL	10uF 16V		ケミコン	01
C3006	US135100	C. CE. CHP	0.1uF 16V		チップセラコン	01
C3007	US065100	C. CE. CHP	0.1uF 50V B		チップセラコン	01
C3008	UR866220	C. EL	2.2uF 50V		ケミコン	01
C3009	US135100	C. CE. CHP	0.1uF 16V		チップセラコン	01
C3010	US135100	C. CE. CHP	0.1uF 16V		チップセラコン	01
C3011	UM388330	C. EL	330uF 6.3V		ケミコン	01
C3012	US135100	C. CE. CHP	0.1uF 16V		チップセラコン	01
C3013	UR866220	C. EL	2.2uF 50V		ケミコン	01
C3014	US064100	C. CE. CHP	0.01uF 50V B		チップセラコン	01
C3015	WB687100	C. POL. MTL	0.047uF 400V	JUC	メタライズドポリコン	01
C3015	WC041600	C. PP	0.022uF 630V	RTKAGEL	PPコン	01
C3016	UR866100	C. EL	1uF 50V		ケミコン	01
C3017	US062100	C. CE. CHP	100pF 50V B		チップセラコン	01
C3018	UA653470	C. MYLAR	4700pF 50V J		マイラーコン	01
C3019	US135100	C. CE. CHP	0.1uF 16V		チップセラコン	01
C3020	UA653100	C. MYLAR	1000pF 50V J		マイラーコン	03
C3021	US062100	C. CE. CHP	100pF 50V B		チップセラコン	01
C3022	US062100	C. CE. CHP	100pF 50V B		チップセラコン	01
C3024-3025	US135100	C. CE. CHP	0.1uF 16V		チップセラコン	01
C3027	US064100	C. CE. CHP	0.01uF 50V B		チップセラコン	01
C3028	UA653100	C. MYLAR	1000pF 50V J		マイラーコン	03
C3029	WB696300	C. POL. MTL	0.1uF 400V	JUC	メタライズドポリコン	01
C3029	WD257600	C. PP	0.047uF 800V	RTKAGEL	PPコン	01
C3030	V6185300	C. CE. SAFTY	0.01uF 275V		規格認定コン	01
C3031-3032	UA653100	C. MYLAR	1000pF 50V J		マイラーコン	03
C3033	UR239330	C. EL	3300uF 16V	JUCTKAGEL	ケミコン	02
C3033	UR269330	C. EL	3300uF 50V	R	ケミコン	01
C3034	WE102900	C. PP	0.01uF 100V		PPコン	01
C3035	UA654100	C. MYLAR	0.01uF 50V J		マイラーコン	01
C3036-3037	US135100	C. CE. CHP	0.1uF 16V		チップセラコン	01
C3043-3044	US063680	C. CE. CHP	6800pF 50V B		チップセラコン	01
C3046	US135100	C. CE. CHP	0.1uF 16V		チップセラコン	01
C3047	US064100	C. CE. CHP	0.01uF 50V B		チップセラコン	01
D3000	VT332900	DIODE	1SS355		ダイオード	01
D3001	VT332900	DIODE	1SS355		ダイオード	01
D3002	VU171500	DIODE. ZENR	UDZ 3.6BTE-17 3.6V		ツェナーダイオード	01
D3003	VT332900	DIODE	1SS355		ダイオード	01
D3004	VT332900	DIODE	1SS355		ダイオード	01
D3005	VU990500	DIODE. ZENR	MA8030-L 2.9V		ツェナーダイオード	01
D3006	VU993800	DIODE. ZENR	MA8068-M 6.8V		ツェナーダイオード	01
D3007	VU995400	DIODE. ZENR	MA8100-M 10V		ツェナーダイオード	01
D3008	VT332900	DIODE	1SS355		ダイオード	01
D3009	VU171500	DIODE. ZENR	UDZ 3.6BTE-17 3.6V		ツェナーダイオード	01
D3010	VU995000	DIODE. ZENR	MA8091-M 9.1V		ツェナーダイオード	01
D3011-3012	VT332900	DIODE	1SS355		ダイオード	01
D3015	VU995000	DIODE. ZENR	MA8091-M 9.1V	JUCTKAGEL	ツェナーダイオード	01
D3015	VU994700	DIODE. ZENR	MA8082-H 8.5V	R	ツェナーダイオード	01
D3016	V4756800	DIODE	S1NB60 1.0A 600V		D i スタック	01
D3017	VT332900	DIODE	1SS355		ダイオード	01
D3018	VR253700	DIODE. BRG	S1NB20 1A 200V		D l ブリッジ	02
D3019	VT332900	DIODE	1SS355		ダイオード	01
D3020	VT332900	DIODE	1SS355		ダイオード	01
D3026	VT332900	DIODE	1SS355		ダイオード	01
D3027	VT332900	DIODE	1SS355		ダイオード	01
F3000	WG410700	FUSE	8A 125V	UC	ヒューズ	01

* New Parts * 新規部品

P.C.B. OPERATION

Ref. No.	Part No.	Description	Remarks	Markets	部 品 名	Rank
△	F3000	VT942900 FUSE	T2.5A 250V		GE ヒューズ	01
△	F3001	WG410700 FUSE	8A 125V		JUCR ヒューズ	01
△	F3001	KB000790 FUSE	T4A 250V		TKAGEL ヒューズ	01
	IC251	X6742A00 IC	LA73050-TLM-E		アンプ IC	04
	IC253-255	XY549A00 IC	TC74HC4051AFEL		ロジック IC	
△	IC300	V8100500 PHOT. CPL	TLP421 GR		フォトカプラ	01
	IC301	X6386A00 IC	M66003-0131FP		IC	07
△	IC302	iG001180 IC	TC4013BP FF		ロジック IC	05
△	IC303	V8100500 PHOT. CPL	TLP421 GR		フォトカプラ	01
	JK251-252	V9273500 CN. DIN	2P YKF51-5605	459, 5940	DINコネクタ	
	JK253	VS867300 CN. DIN	4P YKF51-5501	459, 5940	DINコネクタ	03
	JK300	V9408200 JACK. PHONE	MSJ-064-05B GR		ホーンジャック	03
*	JK302	WG514200 JACK. MNI	JY-3535+01-090G		ミニジャック	
	PJ251	V7189800 JACK. PIN	1P		ピンジャック	01
	PJ252	V7190000 JACK. PIN	2P		ピンジャック	
	PJ253	V7190000 JACK. PIN	2P		ピンジャック	
	PJ300	V7190100 JACK. PIN	3P		ピンジャック	
	PN252-253	V9637500 PIN	L=70 #18		スタイルピン	
	PN331	V9637500 PIN	L=70 #18		スタイルピン	
	Q3000	VV556400 TR	2SC2412K Q, R, S		トランジスタ	01
	Q3001	VV556400 TR	2SC2412K Q, R, S		トランジスタ	01
	Q3002	VV655700 TR. DGT	DTC144EKA		デジタルトランジスタ	01
	Q3003	iC181510 TR	2SC1815 Y		トランジスタ	01
	Q3004-3005	VV556400 TR	2SC2412K Q, R, S		トランジスタ	01
	Q3006	iC181510 TR	2SC1815 Y		トランジスタ	01
	Q3007	WC741200 FET	2SK3850		FET	
	Q3008	VV556400 TR	2SC2412K Q, R, S		トランジスタ	01
	R2533	HV753100 R. CAR. FP	1Ω 1/4W		不燃化カーボン抵抗	01
	R3031	V6730000 R. CAR.	2.2MΩ 1/2W		放電抵抗	01
	R3034	HF356220 R. CAR	2.2KΩ 1/2W		カーボン抵抗	
△	RY301	V6434900 RELAY	DC DLS12D1-0(M)		リレー 12V TV-8	03
	ST251	V4040500 SCR. TERM	M3	5935	スクリュー/ターミナル	01
	ST300	V4040500 SCR. TERM	M3		スクリュー/ターミナル	01
	ST316	WA246200 SCR. TERM	3.5		スクリューターミナル	
	ST318	WA246200 SCR. TERM	3.5		スクリューターミナル	
	SW300	V9597100 SW. RT. ENC	EC12E2460802		ロータリーエンコーダ	04
	SW301	V9266400 SW. RT. ENC	XREB12105PVB25F		ロータリーエンコーダ	02
	SW302	WD483100 SW. TACT	SKRGAAD010		タクト SW	01
	SW304	WD483100 SW. TACT	SKRGAAD010		タクト SW	01
	SW306	WD483100 SW. TACT	SKRGAAD010		タクト SW	01
	SW309	WD483100 SW. TACT	SKRGAAD010		タクト SW	01
	SW310-311	WD483100 SW. TACT	SKRGAAD010		タクト SW	01
	SW312	WD483100 SW. TACT	SKRGAAD010		タクト SW	01
	SW313-314	WD483100 SW. TACT	SKRGAAD010		タクト SW	01
	SW315-316	WD483100 SW. TACT	SKRGAAD010		タクト SW	01
	SW319	WD483100 SW. TACT	SKRGAAD010		タクト SW	01
	SW321-322	WD483100 SW. TACT	SKRGAAD010		タクト SW	01
△	T3000	XW605A00 TRANS. PWR			J 電源トランス	04
*	T3000	XW606A00 TRANS. PWR			UC 電源トランス	
*	T3000	X6351A00 TRANS. PWR			R 電源トランス	
*	T3000	XW608A00 TRANS. PWR			TKAGEL 電源トランス	
△	TE300	VU543100 OUTLET. AC	2P		J A Cアウトレット	03
△	TE300	VU543100 OUTLET. AC	2P		UC A Cアウトレット	03
△	TE300	V5867400 OUTLET. AC	2P AC-182-GB-11V		RTK A Cアウトレット	
△	TE300	VT915000 OUTLET. AC	1P		A A Cアウトレット	06
△	TE300	VU543400 OUTLET. AC	2P		GEL A Cアウトレット	05
	U3000	V8210200 L. DTCT	GP1UD271XK		リモコン受光ユニット	03
*	V3000	WG474000 FL. DSPLY	HNA-17MM03T	459, 5940	蛍光表示管	
*	V3000	WG473900 FL. DSPLY	17-BT-XXGNK	5935	蛍光表示管	
		V6880300 SHEET			シート/F L	

* New Parts * 新規部品

RX-V459/HTR-5940/DSP-AX459
HTR-5935

P.C.B. OPERATION & P.C.B. MAIN

Ref. No.	Part No.	Description	Remarks	Markets	部 品 名	Rank
	V6007100	SPACER.FL	4.6/10/32		スパーサ FL	
	WG704000	P.C.B.	MAIN	459, 5940	JRTA	P C B メイン
	WG704100	P.C.B.	MAIN	459, 5940	UC	P C B メイン
	WG704200	P.C.B.	MAIN	459, 5940	KGEL	P C B メイン
	WG705000	P.C.B.	MAIN	5935	U	P C B メイン
CB101	V7826700	CN	17P TE TUC SERIES	5935		コネクタープラグ
CB103	LB932060	CN.BS.PIN	6P			ベースポスト
CB104	LB918100	CN.BS.PIN	10P			ベース付ポスト
CB105	LB918030	CN.BS.PIN	3P		UC	ベース付ポスト
CB113	V7827500	SOCKET	8P SE TUC SERIES			コネクターソケット
CB114	V7825800	CN	8P TE TUC SERIES			コネクタープラグ
CB115	V7825700	CN	7P TE TUC SERIES			コネクタープラグ
CB116	V7827400	SOCKET	7P TE TUC SERIES			コネクターソケット
C1000	UR238100	C.EL	100uF 16V			ケミコン
C1001-1002	UR066470	C.EL	4.7uF 50V			ケミコン
C1003-1004	UR066470	C.EL	4.7uF 50V			ケミコン
C1005	UR066470	C.EL	4.7uF 50V			ケミコン
C1006	UR066470	C.EL	4.7uF 50V			ケミコン
C1007	UR237100	C.EL	10uF 16V			ケミコン
C1008	UR248100	C.EL	100uF 25V			ケミコン
C1009	UT652100	C.PP	100pF 100V			PPコン
C1010	UA652220	C.MYLAR	220pF 50V J			マイラーコン
C1011	UT652100	C.PP	100pF 100V			PPコン
C1012	UA652220	C.MYLAR	220pF 50V J			マイラーコン
C1013	UA652100	C.MYLAR	100pF 50V J	459, 5940		マイラーコン
C1014	UA652220	C.MYLAR	220pF 50V J	459, 5940		マイラーコン
C1015	UA652100	C.MYLAR	100pF 50V J			マイラーコン
C1016	UA652220	C.MYLAR	220pF 50V J			マイラーコン
C1017	UT652100	C.PP	100pF 100V			PPコン
C1018	UA652220	C.MYLAR	220pF 50V J			マイラーコン
C1019	UA652100	C.MYLAR	100pF 50V J			マイラーコン
C1020	UA652220	C.MYLAR	220pF 50V J			マイラーコン
C1021	UA653330	C.MYLAR	3300pF 50V J			マイラーコン
C1022-1023	UT653330	C.PP	3300pF 100V			PPコン
C1024-1025	UA653330	C.MYLAR	3300pF 50V J	459, 5940		マイラーコン
C1026	UT653330	C.PP	3300pF 100V			PPコン
C1027	UR268100	C.EL	100uF 50V			ケミコン
C1028	UR837470	C.EL	47uF 16V			ケミコン
C1029	UT654100	C.PP	0.01uF 100V			PPコン
C1030-1031	UR268100	C.EL	100uF 50V			ケミコン
C1032-1033	UR837470	C.EL	47uF 16V	459, 5940		ケミコン
C1034-1039	WG211700	C.CE	22pF 500V			セラコン
C1040-1041	UR297100	C.EL	10uF 100V			ケミコン
C1042	UT652150	C.PP	150pF 100V			PPコン
C1043	UR297100	C.EL	10uF 100V			ケミコン
C1044-1045	UT652150	C.PP	150pF 100V			PPコン
C1046	UR297100	C.EL	10uF 100V			ケミコン
C1047-1048	UT652150	C.PP	150pF 100V			PPコン
C1049	UR297100	C.EL	10uF 100V			ケミコン
C1050-1051	UT652150	C.PP	150pF 100V			PPコン
C1052	UR297100	C.EL	10uF 100V			ケミコン
C1053-1054	UT652150	C.PP	150pF 100V			PPコン
C1055	UR297100	C.EL	10uF 100V			ケミコン
C1056-1057	UT652150	C.PP	150pF 100V			PPコン
C1058	UR297100	C.EL	10uF 100V			ケミコン
C1059	UT652150	C.PP	150pF 100V			PPコン
C1060	UR297100	C.EL	10uF 100V			ケミコン

*
*
*
*

*

* New Parts * 新規部品

RX-V459/HTR-5940/DSP-AX459
HTR-5935

P.C.B. MAIN

Ref. No.	Part No.	Description	Remarks	Markets	部 品 名	Rank
C1061-1065	VR324700	C. MYLAR	0.022uF 100V		マイラーコン	
C1066	UT654220	C. PP	0.022uF 100V		PPコン	01
C1067	UR818100	C. EL	100uF 6.3V		ケミコン	01
C1068-1069	WE100900	C. PP	220pF 630V		PPコン	
C1070	UR866470	C. EL	4.7uF 50V		ケミコン	01
* C1071	WG601900	C. EL	10000uF 16V		ケミコン	
C1072	UR867470	C. EL	47uF 50V		ケミコン	01
C1074	UR858100	C. EL	100uF 35V		ケミコン	01
* C1075	UR249470	C. EL	4700uF 25V		ケミコン	
* C1076	UR249220	C. EL	2200uF 25V		ケミコン	
* C1077	WG602000	C. EL	15000uF 16V		ケミコン	
* C1078	WG601700	C. EL	4700uF 16V		ケミコン	
⚠ C1081	UR866470	C. EL	4.7uF 50V		ケミコン	01
C1082-1083	VR325200	C. MYLAR	0.022uF 100V		マイラーコン	01
* C1084-1085	WE515600	C. EL	8200uF 71V		ケミコン	
C1087-1088	VR325400	C. MYLAR	0.1uF 100V		マイラーコン	01
C1090	UR268330	C. EL	330uF 50V		ケミコン	
C1091	UR268100	C. EL	100uF 50V		ケミコン	
C1092-1093	UA654220	C. MYLAR	0.022uF 50V J		マイラーコン	01
* C1094-1095	VR325400	C. MYLAR	0.1uF 100V		マイラーコン	01
C1096	WG602000	C. EL	15000uF 16V	UC	ケミコン	
C1097	UA654100	C. MYLAR	0.01uF 50V J		マイラーコン	01
C1099	UA654100	C. MYLAR	0.01uF 50V J		マイラーコン	01
C1100-1101	VR325400	C. MYLAR	0.1uF 100V		マイラーコン	01
C1102	UA654100	C. MYLAR	0.01uF 50V J		マイラーコン	01
C1103	UA354100	C. MYLAR	0.01uF 50V		マイラーコン	01
C1104-1107	WA747600	C. MYLAR	1000pF 100V		マイラーコン	01
C1108	UA654220	C. MYLAR	0.022uF 50V J		マイラーコン	01
C1109	VE326000	C. MYLAR	0.1uF 50V	UC	マイラーコン	01
C1110	UA354100	C. MYLAR	0.01uF 50V		マイラーコン	01
C1111	UA654220	C. MYLAR	0.022uF 50V J		マイラーコン	01
C1113	UA354100	C. MYLAR	0.01uF 50V		マイラーコン	01
C1114	UA654220	C. MYLAR	0.022uF 50V J		マイラーコン	01
C1115-1118	UA653470	C. MYLAR	4700pF 50V J		マイラーコン	01
C1119	UA654220	C. MYLAR	0.022uF 50V J		マイラーコン	01
C1120	VJ599100	C. CE. TUBLR	0.1uF 50V	UC	円筒セラコン	01
C1121	UR237470	C. EL	47uF 16V	UC	ケミコン	
C1124	VJ599100	C. CE. TUBLR	0.1uF 50V		円筒セラコン	01
C1126-1127	UR266100	C. EL	1uF 50V		ケミコン	
C1129-1130	UR266100	C. EL	1uF 50V		ケミコン	
C1131	UR238100	C. EL	100uF 16V		ケミコン	
C1132	UR266100	C. EL	1uF 50V		ケミコン	
C1135-1137	UR266100	C. EL	1uF 50V		ケミコン	
C1138	UR238100	C. EL	100uF 16V		ケミコン	
C1140	UR266100	C. EL	1uF 50V		ケミコン	
C1141	UR238100	C. EL	100uF 16V		ケミコン	
C1150	UR237100	C. EL	10uF 16V	UC	ケミコン	
D1000	VG440700	DIODE. ZENR	MTZJ15A 15V		ツェナーダイオード	
D1001-1016	VD631600	DIODE	1SS133, 176		ダイオード	01
D1017-1018	VG435500	DIODE. ZENR	MTZJ2.4B 2.4V		ツェナーダイオード	01
D1019-1030	VN008700	DIODE	1SS270A		ダイオード	01
D1032	VG443200	DIODE. ZENR	MTZJ30A 30V		ツェナーダイオード	01
⚠ D1035	WA653100	DIODE. BRG	KBP103G 1.0A 200V		ダイオードブリッジ	02
* D1036	WF300200	DIODE. BRG	TS4B03G C2		ダイオードブリッジ	
D1037-1039	VG442900	DIODE. ZENR	MTZJ27B 27V		ツェナーダイオード	01
⚠ D1040	WA653200	DIODE. BRG	TS6P03G 6.0A 200V		ダイオードブリッジ	04
⚠ D1041-1042	VS997800	DIODE	1T2		ダイオード	01
D1043	VG442900	DIODE. ZENR	MTZJ27B 27V		ツェナーダイオード	01
D1044-1045	VS997800	DIODE	1T2		ダイオード	01
⚠ D1046	WA653100	DIODE. BRG	KBP103G 1.0A 200V	UC	ダイオードブリッジ	02

* New Parts * 新規部品

RX-V459/HTR-5940/DSP-AX459
HTR-5935

P.C.B. MAIN

Ref. No.	Part No.	Description	Remarks	Markets	部 品 名	Rank
D1047	VG442900	DIODE. ZENR	MTZJ27B 27V		ツェナーダイオード	01
D1049	VG442900	DIODE. ZENR	MTZJ27B 27V		ツェナーダイオード	01
D1050	VG440800	DIODE. ZENR	MTZJ15B 15V		ツェナーダイオード	01
D1051	VU647200	DIODE. SHOT	RB441Q-40 T-77		ショットキーダイオード	01
D1052	VU647200	DIODE. SHOT	RB441Q-40 T-77	UC	ショットキーダイオード	01
D1053-1058	VG437500	DIODE. ZENR	MTZJ5.1C 5.1V		ツェナーダイオード	01
D1060	VG437500	DIODE. ZENR	MTZJ5.1C 5.1V	UC	ツェナーダイオード	01
D1061	VG435500	DIODE. ZENR	MTZJ2.4B 2.4V		ツェナーダイオード	01
G1000	V5995800	PLATE. GND			アースプレート	
* IC100	X6143A00	IC	NJM2388F05 5.0V	UC	電源 IC	
* IC101	X0515A00	IC	LM61C1Z THERMAL		電源 IC	03
* IC102	X6143A00	IC	NJM2388F05 5.0V		電源 IC	
IC103	XE436A00	IC	NJM79M05FA		IC	03
IC104	XJ608A00	IC	NJM7812FA		IC	02
IC105	XD343A00	IC	NJM79M12FA		IC	03
* IC106	X6143A00	IC	NJM2388F05 5.0V		電源 IC	
IC107	X6248A00	IC	NJM2388F33		電源 IC	04
PN101-107	V9637500	PIN	L=70 #18		スタイルピン	
Q1000	VP872600	TR	2SA1708 S,T		トランジスタ	01
Q1001-1012	VP883100	TR	2SC1890A D,E		トランジスタ	01
Q1013-1018	V3966800	TR	2SA949 O,Y		トランジスタ	02
△ Q1019-1024	VK432900	TR	2SD1915F S,T		トランジスタ	01
Q1025-1030	VR325600	TR	2SC2229 O,Y		トランジスタ	01
Q1031	WC398400	TR	2N5551C-AT		トランジスタ	
Q1032	WC397700	TR	2N5401C-AT		トランジスタ	
Q1033	V4096100	TR	2SC4614 S,T		トランジスタ	02
Q1034	V4096000	TR	2SA1770 S,T		トランジスタ	03
Q1035	V4096100	TR	2SC4614 S,T		トランジスタ	02
Q1036	V4096000	TR	2SA1770 S,T		トランジスタ	03
Q1037	V4096100	TR	2SC4614 S,T		トランジスタ	02
Q1038	V4096000	TR	2SA1770 S,T		トランジスタ	03
△ Q1039	V4096100	TR	2SC4614 S,T		トランジスタ	02
△ Q1040	V4096000	TR	2SA1770 S,T		トランジスタ	03
Q1041	V4096100	TR	2SC4614 S,T		トランジスタ	02
Q1042	V4096000	TR	2SA1770 S,T		トランジスタ	03
Q1043	V4096100	TR	2SC4614 S,T		トランジスタ	02
Q1044	V4096000	TR	2SA1770 S,T		トランジスタ	03
Q1045-1046	VC614000	TR	2SB1274 Q,R,S		トランジスタ	02
Q1047	WC398400	TR	2N5551C-AT		トランジスタ	
△ Q1048A	iX630850	TR	2SA1695 O,P,Y		トランジスタ	04
△ Q1048C	iX630860	TR	2SC4468 O,P,Y		トランジスタ	04
△ Q1049A	iX630850	TR	2SA1695 O,P,Y		トランジスタ	04
△ Q1049C	iX630860	TR	2SC4468 O,P,Y		トランジスタ	04
△ Q1050A	iX630850	TR	2SA1695 O,P,Y		トランジスタ	04
△ Q1050C	iX630860	TR	2SC4468 O,P,Y		トランジスタ	04
△ Q1051A	iX630850	TR	2SA1695 O,P,Y		トランジスタ	04
△ Q1051C	iX630860	TR	2SC4468 O,P,Y		トランジスタ	04
△ Q1052A	iX630850	TR	2SA1695 O,P,Y		トランジスタ	04
△ Q1052C	iX630860	TR	2SC4468 O,P,Y		トランジスタ	04
△ Q1053A	iX630850	TR	2SA1695 O,P,Y		トランジスタ	04
△ Q1053C	iX630860	TR	2SC4468 O,P,Y		トランジスタ	04
Q1060-1065	WC398400	TR	2N5551C-AT		トランジスタ	
Q1066	WC397700	TR	2N5401C-AT		トランジスタ	
Q1067	iC181510	TR	2SC1815 Y		トランジスタ	01
△ Q1068	iA101510	TR	2SA1015 Y		トランジスタ	01
Q1071-1076	VP872700	TR	2SC4488 S,T		トランジスタ	01
R1006-1007	HF356100	R. CAR	1K Ω 1/2W		カーボン抵抗	
R1011	HF356100	R. CAR	1K Ω 1/2W		カーボン抵抗	
R1019	HV756100	R. CAR. FP	1K Ω 1/4W		不燃化カーボン抵抗	01
R1040-1041	HF355330	R. CAR	330 Ω 1/2W		カーボン抵抗	

* New Parts * 新規部品

RX-V459/HTR-5940/DSP-AX459
HTR-5935

P.C.B. MAIN

Ref. No.	Part No.	Description	Remarks	Markets	部 品 名	Rank
R1044	HF355330	R. CAR	330Ω 1/2W		カーボン抵抗	
R1045	HF356120	R. CAR	1.2KΩ 1/2W		カーボン抵抗	
R1047-1048	HF356120	R. CAR	1.2KΩ 1/2W		カーボン抵抗	
R1052-1054	HF357330	R. CAR	33KΩ 1/2W		カーボン抵抗	
R1057-1062	HV755100	R. CAR. FP	100Ω 1/4W		不燃化カーボン抵抗	01
R1064	HF353220	R. CAR	2.2Ω 1/2W		カーボン抵抗	
R1065-1067	HF355470	R. CAR	470Ω 1/2W		カーボン抵抗	
R1084	HL006270	R. MTL. OXD	2.7KΩ 1/2W		酸化金属被膜抵抗	
R1085	HL005470	R. MTL. OXD	470Ω 1/2W		酸化金属被膜抵抗	
R1086	HL005820	R. MTL. OXD	820Ω 1/2W		酸化金属被膜抵抗	
R1087	HL006270	R. MTL. OXD	2.7KΩ 1/2W		酸化金属被膜抵抗	
R1088	HL005470	R. MTL. OXD	470Ω 1/2W		酸化金属被膜抵抗	
R1089	HL005820	R. MTL. OXD	820Ω 1/2W		酸化金属被膜抵抗	
R1090	HL006270	R. MTL. OXD	2.7KΩ 1/2W		酸化金属被膜抵抗	
R1091	HL005470	R. MTL. OXD	470Ω 1/2W		酸化金属被膜抵抗	
R1092	HL005820	R. MTL. OXD	820Ω 1/2W		酸化金属被膜抵抗	
R1093	HL006270	R. MTL. OXD	2.7KΩ 1/2W		酸化金属被膜抵抗	
R1094	HL005470	R. MTL. OXD	470Ω 1/2W		酸化金属被膜抵抗	
R1095	HL005820	R. MTL. OXD	820Ω 1/2W		酸化金属被膜抵抗	
R1096	HL006270	R. MTL. OXD	2.7KΩ 1/2W		酸化金属被膜抵抗	
R1097	HL005470	R. MTL. OXD	470Ω 1/2W		酸化金属被膜抵抗	
R1098	HL005820	R. MTL. OXD	820Ω 1/2W		酸化金属被膜抵抗	
R1099	HL006270	R. MTL. OXD	2.7KΩ 1/2W		酸化金属被膜抵抗	
R1100	HL005470	R. MTL. OXD	470Ω 1/2W		酸化金属被膜抵抗	
R1101	HL005820	R. MTL. OXD	820Ω 1/2W		酸化金属被膜抵抗	
R1104	HL006100	R. MTL. OXD	1KΩ 1/2W		酸化金属被膜抵抗	
R1105	HV755100	R. CAR. FP	100Ω 1/4W		不燃化カーボン抵抗	01
R1106	HL006100	R. MTL. OXD	1KΩ 1/2W		酸化金属被膜抵抗	
R1107	HV755100	R. CAR. FP	100Ω 1/4W		不燃化カーボン抵抗	01
R1108	HL006100	R. MTL. OXD	1KΩ 1/2W		酸化金属被膜抵抗	
R1109	HV755100	R. CAR. FP	100Ω 1/4W		不燃化カーボン抵抗	01
R1110	HL006100	R. MTL. OXD	1KΩ 1/2W		酸化金属被膜抵抗	
R1111	HV755100	R. CAR. FP	100Ω 1/4W		不燃化カーボン抵抗	01
R1112	HL006100	R. MTL. OXD	1KΩ 1/2W		酸化金属被膜抵抗	
R1113	HV755100	R. CAR. FP	100Ω 1/4W		不燃化カーボン抵抗	01
R1114	HL006100	R. MTL. OXD	1KΩ 1/2W		酸化金属被膜抵抗	
△ R1115	HV755100	R. CAR. FP	100Ω 1/4W		不燃化カーボン抵抗	01
R1116	V8072100	R. MTL. OXD	5.6KΩ 1W		酸化金属被膜抵抗	
R1117	HV755560	R. CAR. FP	560Ω 1/4W		不燃化カーボン抵抗	01
R1119-1130	HV755100	R. CAR. FP	100Ω 1/4W		不燃化カーボン抵抗	01
R1131	HV756470	R. CAR. FP	4.7KΩ 1/4W		不燃化カーボン抵抗	01
R1132	V8072000	R. MTL. OXD	4.7KΩ 1W		酸化金属被膜抵抗	
R1133-1144	HV753470	R. CAR. FP	4.7Ω 1/4W		不燃化カーボン抵抗	01
R1145	HV754100	R. CAR. FP	10Ω 1/4W		不燃化カーボン抵抗	01
R1147-1148	HV754100	R. CAR. FP	10Ω 1/4W		不燃化カーボン抵抗	01
△ R1149-1150	V3873200	R. CEMENT	0.22Ω 3W		セメント抵抗	02
* △ R1151-1153	WG471300	R. WW	0.22Ω+0.22Ω		セメント抵抗	
△ R1154	V3873200	R. CEMENT	0.22Ω 3W		セメント抵抗	02
△ R1173-1178	V8070300	R. MTL. FLM	10Ω 1W		金属被膜抵抗	
△ R1202-1203	V8070200	R. MTL. FLM	4.7Ω 1W		金属被膜抵抗	
△ R1214	HV755100	R. CAR. FP	100Ω 1/4W		不燃化カーボン抵抗	01
△ R1215	HV756100	R. CAR. FP	1KΩ 1/4W		不燃化カーボン抵抗	01
R1222	HV755180	R. CAR. FP	180Ω 1/4W		不燃化カーボン抵抗	01
R1225	V6022600	R. CEMENT	0.1Ω 3W	5935	セメント抵抗	
R1230	HV755180	R. CAR. FP	180Ω 1/4W		不燃化カーボン抵抗	01
R1232	HV753470	R. CAR. FP	4.7Ω 1/4W		不燃化カーボン抵抗	01
R1237	HV755180	R. CAR. FP	180Ω 1/4W		不燃化カーボン抵抗	01
R1238	HV753470	R. CAR. FP	4.7Ω 1/4W		不燃化カーボン抵抗	01
R1240	HV755180	R. CAR. FP	180Ω 1/4W		不燃化カーボン抵抗	01
△ R1243-1244	HV753100	R. CAR. FP	1Ω 1/4W		不燃化カーボン抵抗	01

* New Parts * 新規部品

RX-V459/HTR-5940/DSP-AX459
HTR-5935

P.C.B. MAIN & P.C.B. YST

Chip Resistors

Ref. No.	Part No.	Description	Remarks	Markets	部 品 名	Rank
R1245	HV753470	R. CAR. FP	4.7Ω 1/4W		不燃化カーボン抵抗	01
R1246	HV755180	R. CAR. FP	180Ω 1/4W		不燃化カーボン抵抗	01
R1249	HV753470	R. CAR. FP	4.7Ω 1/4W		不燃化カーボン抵抗	01
R1252	HV753470	R. CAR. FP	4.7Ω 1/4W		不燃化カーボン抵抗	01
R1253	HV755180	R. CAR. FP	180Ω 1/4W		不燃化カーボン抵抗	01
R1254	HV753470	R. CAR. FP	4.7Ω 1/4W		不燃化カーボン抵抗	01
RY100-102	WA544800	RELAY	DC G5PA-28		リレー 24V	04
RY103	V5178900	RELAY	DC DQ24D1-0S(M)		リレー 24V	
RY104	WA544800	RELAY	DC G5PA-28		リレー 24V	04
RY105	WE648700	RELAY	DC DH24D2-0-Q		リレー 24V	06
ST100	V4040500	SCR. TERM	M3		スクリュー/ターミナル	01
* TE100	WD477500	TERM. SP	LTS0810-1015FM	KGEL	スピーカーターミナル	
* TE100-101	WC631900	TERM. SP	LTS0810-1017FM	JUCRTA	スピーカーターミナル	06
* TE101	WD477500	TERM. SP	LTS0810-1015FM	KGEL	スピーカーターミナル	
	WE774200	SCR. BND. HD	3x10 MFZN2W3		バインドBタイトネジ	01
	WG769400	P. C. B.	YST	5935	P C B Y S T	
CB500	V7828400	SOCKET	17P SE TUC SERIES	5935	コネクターソケット	
C5000	UA655470	C. MYLAR	0.47uF 50V J	5935	マイラーコン	01
C5001	UA655100	C. MYLAR	0.1uF 50V J	5935	マイラーコン	01
C5002-5003	UR837470	C. EL	47uF 16V	5935	ケミコン	01
C5004	UA655820	C. MYLAR	0.82uF 50V J	5935	マイラーコン	01
C5005-5006	UR867470	C. EL	47uF 50V	5935	ケミコン	01
C5007	UR838100	C. EL	100uF 16V	5935	ケミコン	01
C5008	UA652100	C. MYLAR	100pF 50V J	5935	マイラーコン	01
C5009	UA654100	C. MYLAR	0.01uF 50V J	5935	マイラーコン	01
C5010	VE326800	C. MYLAR	0.47uF 50V	5935	マイラーコン	01
C5011	UA654270	C. MYLAR	0.027uF 50V J	5935	マイラーコン	01
C5012	UA654100	C. MYLAR	0.01uF 50V J	5935	マイラーコン	01
C5013	UR865220	C. EL	0.22uF 50V	5935	ケミコン	01
C5014	UA654100	C. MYLAR	0.01uF 50V J	5935	マイラーコン	01
D5000-5003	VD631600	DIODE	1SS133, 176	5935	ダイオード	01
IC500	XM356A00	IC	NJM2068LD	5935	IC	02
Q5000	VK432900	TR	2SD1915F S, T	5935	トランジスタ	01
Q5001	iC174020	TR	2SC1740S QRS	5935	トランジスタ	01
Q5002	iA093320	TR	2SA933S Q, R	5935	トランジスタ	01
Q5003	iC174020	TR	2SC1740S QRS	5935	トランジスタ	01
Q5004	iA093320	TR	2SA933S Q, R	5935	トランジスタ	01
Q5005	VD678500	TR. DGT	DTA114ES	5935	デジタルトランジスタ	01
Q5006	VD678700	TR. DGT	DTC114ES	5935	デジタルトランジスタ	01
Q5007-5008	VP883100	TR	2SC1890A D, E	5935	トランジスタ	01
Q5009	VK432900	TR	2SD1915F S, T	5935	トランジスタ	01
Q5010	V3966800	TR	2SA949 Q, Y	5935	トランジスタ	02
R5000	V8071700	R. MTL. OXD	1.5KΩ 1W	5935	酸化金属被膜抵抗	
R5003	HV754390	R. CAR. FP	39Ω 1/4W	5935	不燃化カーボン抵抗	01
R5005	HV754330	R. CAR. FP	33Ω 1/4W	5935	不燃化カーボン抵抗	01
R5017-5018	HV753220	R. CAR. FP	2.2Ω 1/4W	5935	不燃化カーボン抵抗	01
R5029	HV755100	R. CAR. FP	100Ω 1/4W	5935	不燃化カーボン抵抗	01

* New Parts * 新規部品

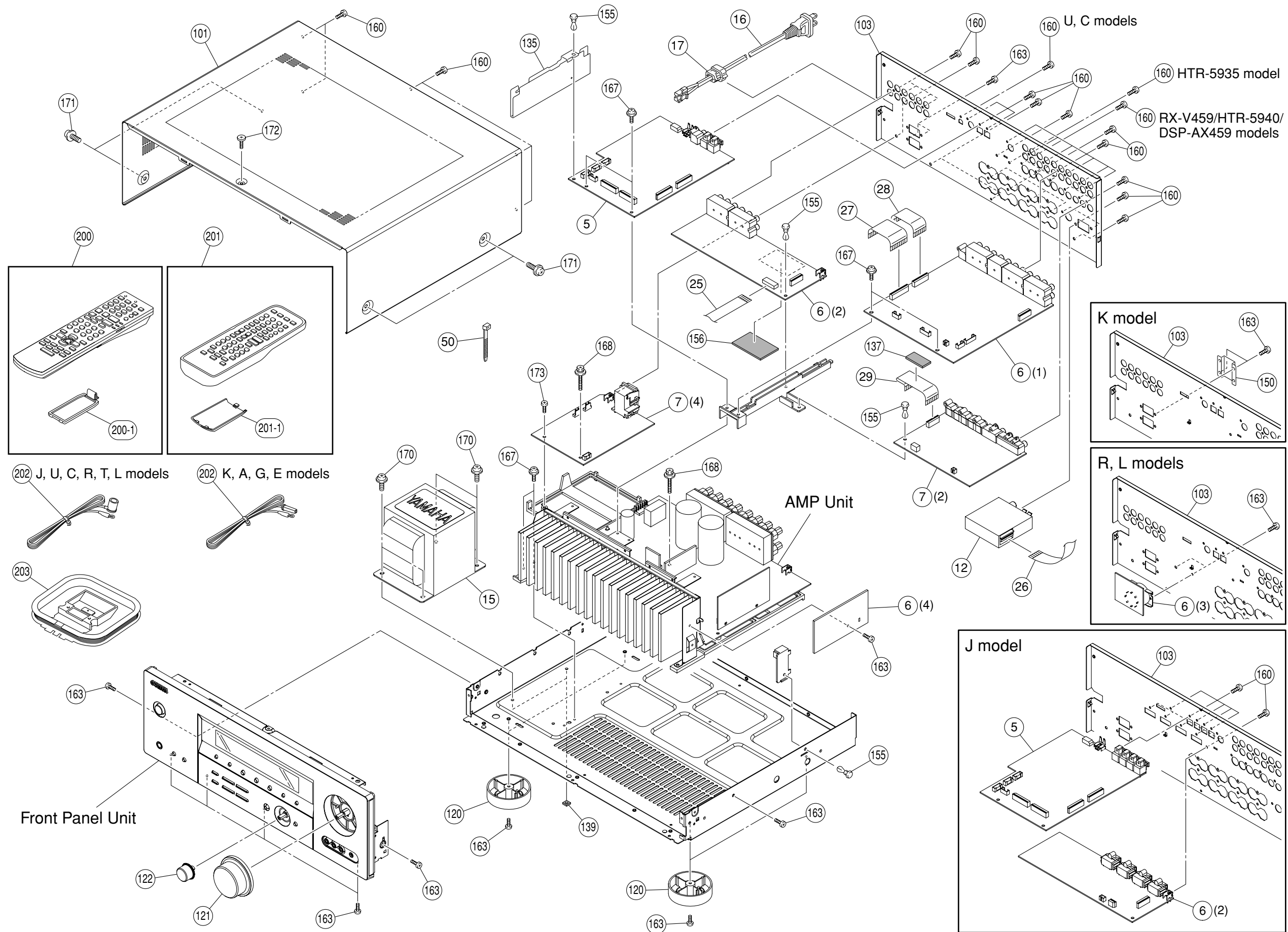
- The chip resistor is not supplied as a replacement part.
- * When a chip resistor is necessary, use the following part.
AAX60720: CHIP RESISTOR SAMPLE BOOK

- チップ抵抗はサービス部品として供給しません。
- * チップ抵抗が必要な場合は、下記の部品をご利用ください。
AAX60720: CHIP RESISTOR SAMPLE BOOK

Ref. No.	Part No.	Description	Remarks	Markets	部 品 名	Rank
		R. CHP	0Ω 1/16W J		チップ抵抗	
		R. CHP	2.2Ω 1/16W J		チップ抵抗	
		R. CHP	10Ω 1/16W J		チップ抵抗	
		R. CHP	75Ω 1/16W J		チップ抵抗	
		R. CHP	100Ω 1/16W J		チップ抵抗	
		R. CHP	220Ω 1/16W J		チップ抵抗	
		R. CHP	270Ω 1/16W J		チップ抵抗	
		R. CHP	330Ω 1/16W J		チップ抵抗	
		R. CHP	470Ω 1/16W J		チップ抵抗	
		R. CHP	1KΩ 1/16W J		チップ抵抗	
		R. CHP	3.3KΩ 1/16W J		チップ抵抗	
		R. CHP	4.7KΩ 1/16W J		チップ抵抗	
		R. CHP	10KΩ 1/16W J		チップ抵抗	
		R. CHP	15KΩ 1/16W J		チップ抵抗	
		R. CHP	22KΩ 1/16W J		チップ抵抗	
		R. CHP	33KΩ 1/16W J		チップ抵抗	
		R. CHP	47KΩ 1/16W J		チップ抵抗	
		R. CHP	100KΩ 1/16W J		チップ抵抗	
		R. CHP	470KΩ 1/16W J		チップ抵抗	
		R. CHP	680KΩ 1/16W J		チップ抵抗	
		R. CHP	1KΩ 1/16W J		チップ抵抗	
		R. MTL. CHP	820Ω 1/16W D		チップ金属被膜抵抗	
		R. MTL. CHP	4.7KΩ 1/16W D		チップ金属被膜抵抗	
		R. MTL. CHP	5.6KΩ 1/16W D		チップ金属被膜抵抗	
		R. MTL. CHP	47KΩ 1/16W D		チップ金属被膜抵抗	

* New Parts * 新規部品

1 • OVERALL ASS'Y



• OVERALL ASS'Y

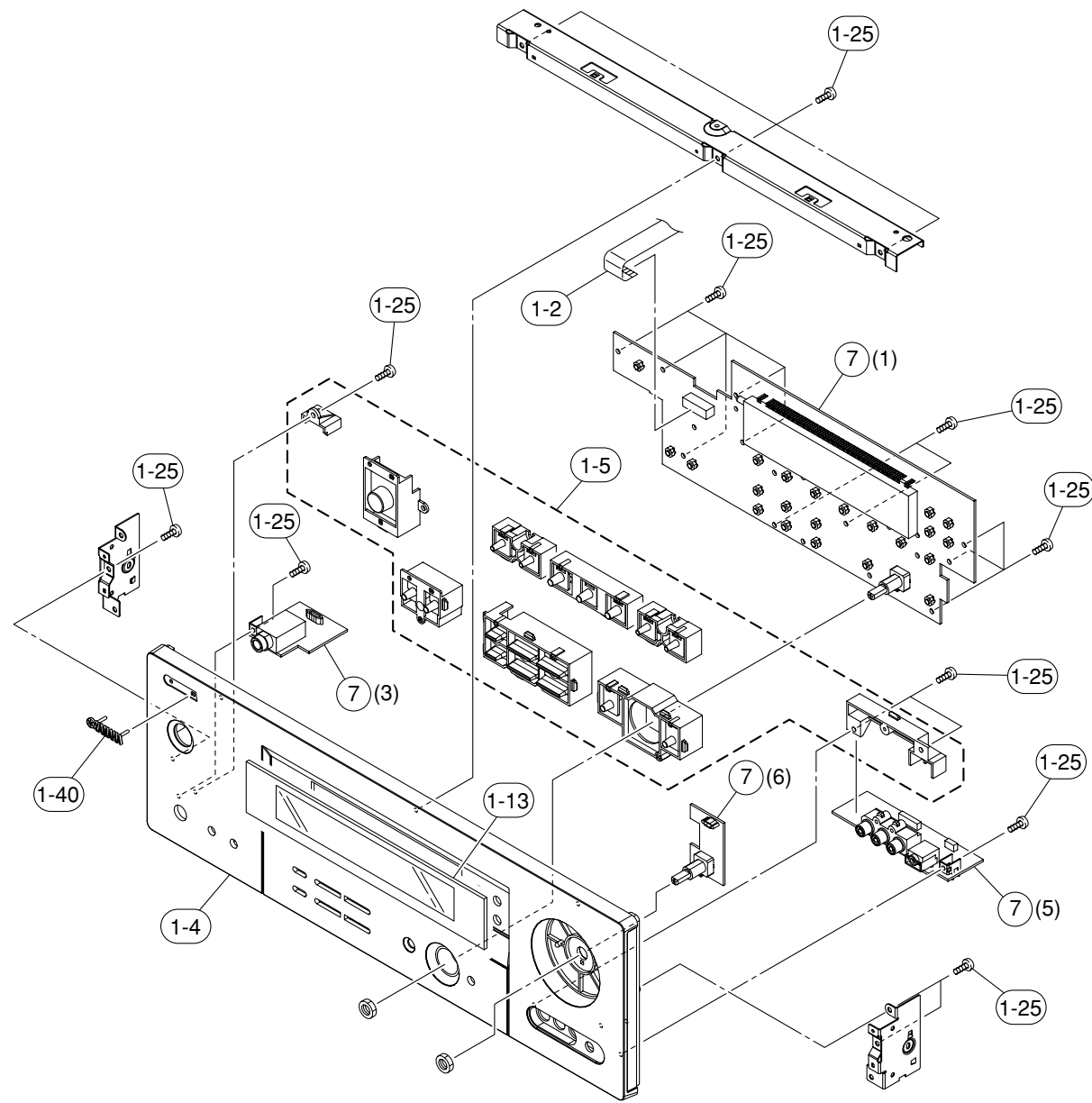
Ref. No.	Part No.	Description	Remarks	Markets	部 品 名	Rank	
* 5	WG685000	P.C.B. ASS'Y	DSP	AX459	J	P C B D S P	
* 5	WG685100	P.C.B. ASS'Y	DSP	V459, 5940, 5935	UC	P C B D S P	
* 5	WG685200	P.C.B. ASS'Y	DSP	V459	R	P C B D S P	
* 5	WG685300	P.C.B. ASS'Y	DSP	V459, 5940	T	P C B D S P	
* 5	WG685400	P.C.B. ASS'Y	DSP	V459, 5940	K	P C B D S P	
* 5	WG685500	P.C.B. ASS'Y	DSP	V459, 5940	A	P C B D S P	
* 5	WG685700	P.C.B. ASS'Y	DSP	V459, 5940	GE	P C B D S P	
* 5	WG685800	P.C.B. ASS'Y	DSP	V459	L	P C B D S P	
* 6	WG689000	P.C.B. ASS'Y	FUNCTION	AX459	J	P C B ファンクション	
* 6	WG689100	P.C.B. ASS'Y	FUNCTION	V459, 5940, 5935	UCTKA	P C B ファンクション	
* 6	WG689200	P.C.B. ASS'Y	FUNCTION	V459	R	P C B ファンクション	
* 6	WG689400	P.C.B. ASS'Y	FUNCTION	V459, 5940	GE	P C B ファンクション	
* 6	WG689500	P.C.B. ASS'Y	FUNCTION	V459	L	P C B ファンクション	
* 7	WG771600	P.C.B. ASS'Y	OPERATION	AX459	J	P C B オペレーション	
* 7	WG771700	P.C.B. ASS'Y	OPERATION	V459, 5940	UC	P C B オペレーション	
* 7	WG771800	P.C.B. ASS'Y	OPERATION	V459	R	P C B オペレーション	
* 7	WG771900	P.C.B. ASS'Y	OPERATION	V459, 5940	TK	P C B オペレーション	
* 7	WG772000	P.C.B. ASS'Y	OPERATION	V459, 5940	A	P C B オペレーション	
* 7	WG772200	P.C.B. ASS'Y	OPERATION	V459, 5940	GE	P C B オペレーション	
* 7	WG772300	P.C.B. ASS'Y	OPERATION	V459	L	P C B オペレーション	
* 7	WG772400	P.C.B. ASS'Y	OPERATION	5935	U	P C B オペレーション	
12	V6782200	AM/FM TUNER	TFCE1J117A		J	AM/FMチューナー	
12	V6782300	AM/FM TUNER	TFCE1U115A		UCRTL	AM/FMチューナー	
12	V6782400	AM/FM TUNER	TFCE1E317A		KAGE	AM/FMチューナー	
* 15	X7493A00	POWER TRANSFORMER		AX459	J	電源トランス	
* 15	X7494A00	POWER TRANSFORMER		V459, 5940, 5935	UC	電源トランス	
* 15	X7495A00	POWER TRANSFORMER		V459	RL	電源トランス	
* 15	X7496A00	POWER TRANSFORMER		V459, 5940	TK	電源トランス	
* 15	X7497A00	POWER TRANSFORMER		V459, 5940	A	電源トランス	
* 15	X7498A00	POWER TRANSFORMER		V459, 5940	GE	電源トランス	
16	WF723000	POWER CABLE	2m	AX459	J	電源コード	
16	V2727500	POWER CABLE	2m	V459, 5940, 5935	UC	電源コード	
16	WC992700	POWER CABLE	2m	V459	R	電源コード	
16	WB120600	POWER CABLE	2m	V459, 5940	T	電源コード	
16	WC753000	POWER CABLE	2m	V459, 5940	K	電源コード	
16	WC743700	POWER CABLE	2m	V459, 5940	A	電源コード	
16	VN363600	POWER CABLE	2m	V459, 5940	GEL	電源コード	
17	V2438700	CORD STOPPER	10P1			コードストッパー	
25	MF125200	FLEXIBLE FLAT CABLE	25P 200mm P=1.25			カード電線 C & C	
26	MF115140	FLEXIBLE FLAT CABLE	15P 140mm P=1.25			カード電線 C & C	
* 27	MF129070	FLEXIBLE FLAT CABLE	29P 70mm P=1.25			カード電線 C & C	
* 28	MF120070	FLEXIBLE FLAT CABLE	20P 70mm P=1.25			カード電線 C & C	
* 29	MF126100	FLEXIBLE FLAT CABLE	26P 100mm P=1.25			カード電線 C & C	
50	VU590000	BINDING TIE	CBTD001B			インシュロックタイ	
* 101	WG437900	TOP COVER		GD		トップカバー	
* 101	WG437800	TOP COVER		BL		トップカバー	
* 101	WG438000	TOP COVER		TI		トップカバー	
* 101	WG438100	TOP COVER		SI		トップカバー	
* 103	WG439400	REAR PANEL		AX459	J	リアパネル	
* 103	WG438600	REAR PANEL		V459	UC	リアパネル	
* 103	WG438700	REAR PANEL		V459	R	リアパネル	
* 103	WG438800	REAR PANEL		V459	T	リアパネル	
* 103	WG438900	REAR PANEL		V459	K	リアパネル	
* 103	WG439000	REAR PANEL		V459	A	リアパネル	
* 103	WG439200	REAR PANEL		V459	GE	リアパネル	
* 103	WG439300	REAR PANEL		V459	L	リアパネル	
* 103	WG439500	REAR PANEL		5940	UC	リアパネル	
* 103	WG439600	REAR PANEL		5940	T	リアパネル	
* 103	WG439700	REAR PANEL		5940	K	リアパネル	

* New Parts * 新規部品

Ref. No.	Part No.	Description	Remarks	Markets	部 品 名	Rank	
* 103	WG439800	REAR PANEL		5940	A	リアパネル	
* 103	WG440000	REAR PANEL		5940	GE	リアパネル	
* 103	WG440100	REAR PANEL		5935	U	リアパネル	
120	V0042500	LEG	D60xH21	GD		レッグ	
120	VS025000	LEG	D60xH21	V459BL, TI, SI		レッグ	
120	VV544300	LEG	D60xH21	5940BL, 5935BL		レッグ	
* 121	WG442700	KNOB D48	VOLUME	GD		ノブD48	
* 121	WG442600	KNOB D48	VOLUME	BL		ノブD48	
* 121	WG442800	KNOB D48	VOLUME	TI		ノブD48	
* 121	WG442900	KNOB D48	VOLUME	SI		ノブD48	
* 122	WG443300	KNOB D23	INPUT	GD		ノブD23	
* 122	WG443200	KNOB D23	INPUT	BL		ノブD23	
* 122	WG443400	KNOB D23	INPUT	TI		ノブD23	
* 122	WG443500	KNOB D23	INPUT	SI		ノブD23	
* 135	WG918400	BARRIER FFC				バリアー/FFC	
137	V6742300	DAMPER	3/30/60			ダンパー 3/30/60	
139	WC879000	DAMPER				ダンパー	
150	V8466300	COVER AC OUTLETS			K	カバー/ACアウトレット	
155	VQ368600	PUSH RIVET	P3555-B			プッシュリベット	
* 156	WH137300	DAMPER	1/35/55		RL	ダンパー 1/35/55	
160	WE774100	BIND HEAD BONDING B-T. SCREW	3x8 MFZN2B3			ボンディングBタイトネジ	
163	WE774300	BIND HEAD B-TIGHT SCREW	3x8 MFZN2W3			バインドBタイトネジ	
167	WF002600	PW HEAD B-TIGHT SCREW	3x8 MFZN2W3			PWヘッドBタイトネジ	
* 168	WH010900	SCREW IC	3x20 MFZN2W3			スクリュー IC	
170	WE774700	BIND HEAD S-TIGHT SCREW	4x10 MFZN2W3			バインドSタイトネジ	
171	VD069600	PW HEAD S-TIGHT SCREW	4x8-10 MFN133	GD, TI, SI		PWヘッドSタイトネジ	
171	VH313200	PW HEAD S-TIGHT SCREW	4x8-10 MFN13BL	BL		PWヘッドSタイトネジ	
172	WE200400	DISH HEAD B-TIGHT SCREW	3x6 MFN133	GD, TI, SI		DISH Bタイトネジ	
172	WE200500	DISH HEAD B-TIGHT SCREW	3x6 MFN13BL	BL		DISH Bタイトネジ	
173	WE774800	BIND HEAD P-TIGHT SCREW	3x8 MFZN2W3			バインドPタイトネジ	
		ACCESSORIES				付属品	
* 200	WG646400	REMOTE CONTROL	RAV323	AX459	J	リモコン	
* 200	WG646300	REMOTE CONTROL	RAV322	V459, 5940	UC	リモコン	
* 200-1	AAX76600	BATTERY COVER		UR76EC6103A		電池蓋	
* 201	WG502900	REMOTE CONTROL	RAV307	V459, 5940	RTKAGEL	リモコン	
* 201	WG503000	REMOTE CONTROL	RAV308	5935	U	リモコン	
201-1	AAX46580	BATTERY COVER		103RRC-244-01G		電池蓋	
202	V6267000	INDOOR FM ANTENNA	1.4m 1pc		JUCRTL	FM簡易アンテナ	
202	VQ147100	INDOOR FM ANTENNA	1.4m 1pc		KAGE	FM簡易アンテナ	
203	VR248500	AM LOOP ANTENNA	1.0m 1pc			AMループアンテナ	
		BATTERY	SUM-3N 2pcs			乾電池 2PCS	

* New Parts * 新規部品

• FRONT PANEL UNIT

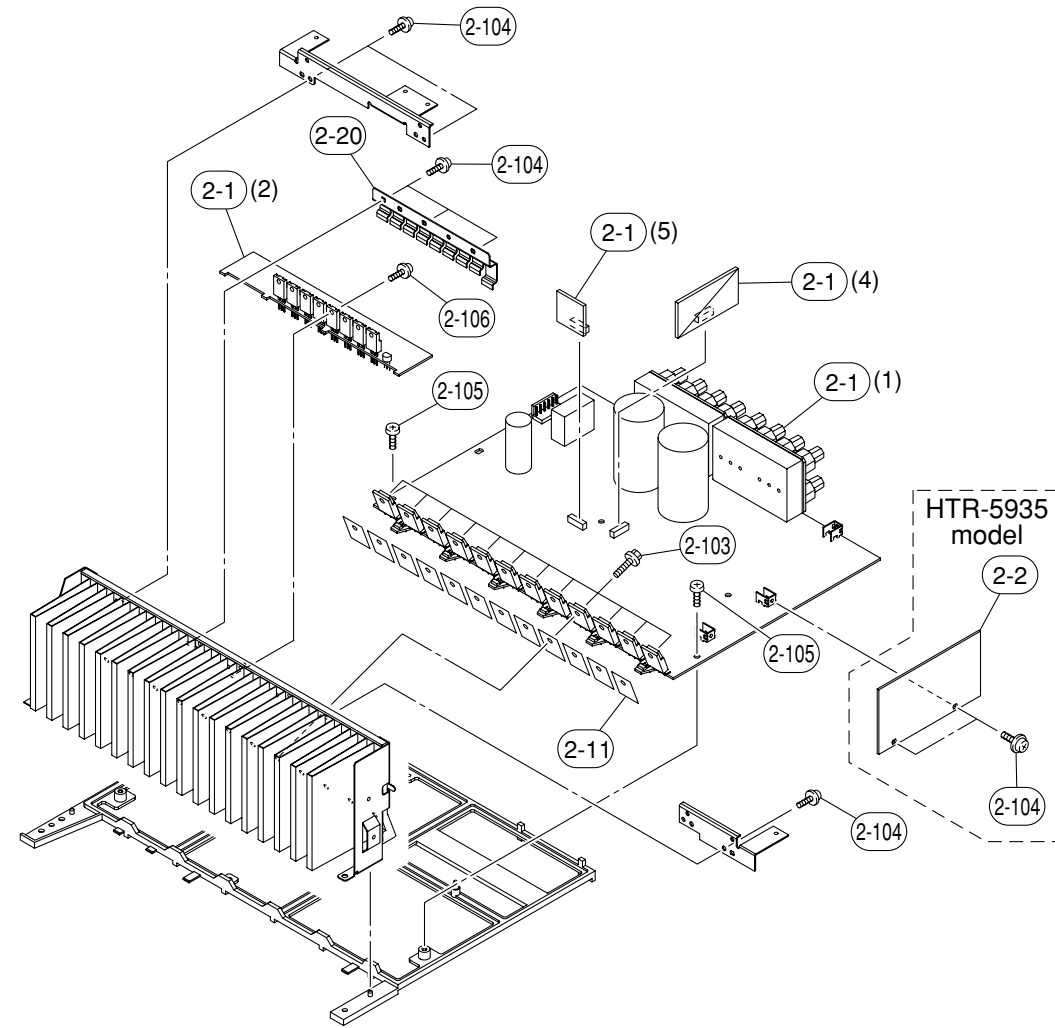


• FRONT PANEL UNIT

Ref. No.	Part No.	Description	Remarks	Markets	部品名	Rank
*	1-2	MF123400 FLEXIBLE FLAT CABLE	23P 400mm P=1.25		カード電線 C & C	
*	1-4	WG517200 FRONT PANEL ASS'Y		AX459GD	J	フロントパネルASSY
*	1-4	WG517100 FRONT PANEL ASS'Y		V459GD	RTKL	フロントパネルASSY
*	1-4	WG516500 FRONT PANEL ASS'Y		V459BL	UC	フロントパネルASSY
*	1-4	WG444500 FRONT PANEL ASS'Y		V459BL	RAGE	フロントパネルASSY
*	1-4	WG517400 FRONT PANEL ASS'Y		V459TI	C	フロントパネルASSY
*	1-4	WG517500 FRONT PANEL ASS'Y		V459TI	RGEL	フロントパネルASSY
*	1-4	WG518300 FRONT PANEL ASS'Y		AX459SI	J	フロントパネルASSY
*	1-4	WG518200 FRONT PANEL ASS'Y		V459SI	RK	フロントパネルASSY
*	1-4	WG445200 FRONT PANEL ASS'Y		5940GD	T	フロントパネルASSY
*	1-4	WG444600 FRONT PANEL ASS'Y		5940BL	UC	フロントパネルASSY
*	1-4	WG444700 FRONT PANEL ASS'Y		5940BL	G	フロントパネルASSY
*	1-4	WG445700 FRONT PANEL ASS'Y		5940SI	UC	フロントパネルASSY
*	1-4	WG445800 FRONT PANEL ASS'Y		5940SI	KA	フロントパネルASSY
*	1-4	WG446300 FRONT PANEL ASS'Y		5940SI	GE	フロントパネルASSY
*	1-4	WG444800 FRONT PANEL ASS'Y		5935BL	U	フロントパネルASSY
*	1-4	WG445900 FRONT PANEL ASS'Y		5935SI	U	フロントパネルASSY
*	1-5	WG441300 BUTTON CASE		GD		ボタン/ケース
*	1-5	WG441200 BUTTON CASE		V459BL, 5940BL		ボタン/ケース
*	1-5	WG441100 BUTTON CASE		5935BL		ボタン/ケース
*	1-5	WG441400 BUTTON CASE		TI		ボタン/ケース
*	1-5	WG441500 BUTTON CASE		SI		ボタン/ケース
*	1-13	WG443600 SHEET WINDOW			JRTKAGEL	シート/ウインドウ
*	1-13	WG443700 SHEET WINDOW		V459, 5940SI, 5935SI	UC	シート/ウインドウ
*	1-13	WG443800 SHEET WINDOW		5940BL, 5935BL	UC	シート/ウインドウ
*	1-25	WE774800 BIND HEAD P-TIGHT SCREW	3x8 MFZ2W3			バインドPタイトネジ
*	1-40	V6034200 EMBLEM		GD, 5935BL		エンブレム
*	1-40	V6034100 EMBLEM		V459BL, 5940BL		エンブレム
*	1-40	V6034100 EMBLEM		TI, SI		エンブレム
*	7	WG771600 P.C.B. ASS'Y	OPERATION	AX459	J	P C B オペレーション
*	7	WG771700 P.C.B. ASS'Y	OPERATION	V459, 5940	UC	P C B オペレーション
*	7	WG771800 P.C.B. ASS'Y	OPERATION	V459	R	P C B オペレーション
*	7	WG771900 P.C.B. ASS'Y	OPERATION	V459, 5940	TK	P C B オペレーション
*	7	WG772000 P.C.B. ASS'Y	OPERATION	V459, 5940	A	P C B オペレーション
*	7	WG772200 P.C.B. ASS'Y	OPERATION	V459, 5940	GE	P C B オペレーション
*	7	WG772300 P.C.B. ASS'Y	OPERATION	V459	L	P C B オペレーション
*	7	WG772400 P.C.B. ASS'Y	OPERATION	5935	U	P C B オペレーション

• AMP UNIT

• AMP UNIT

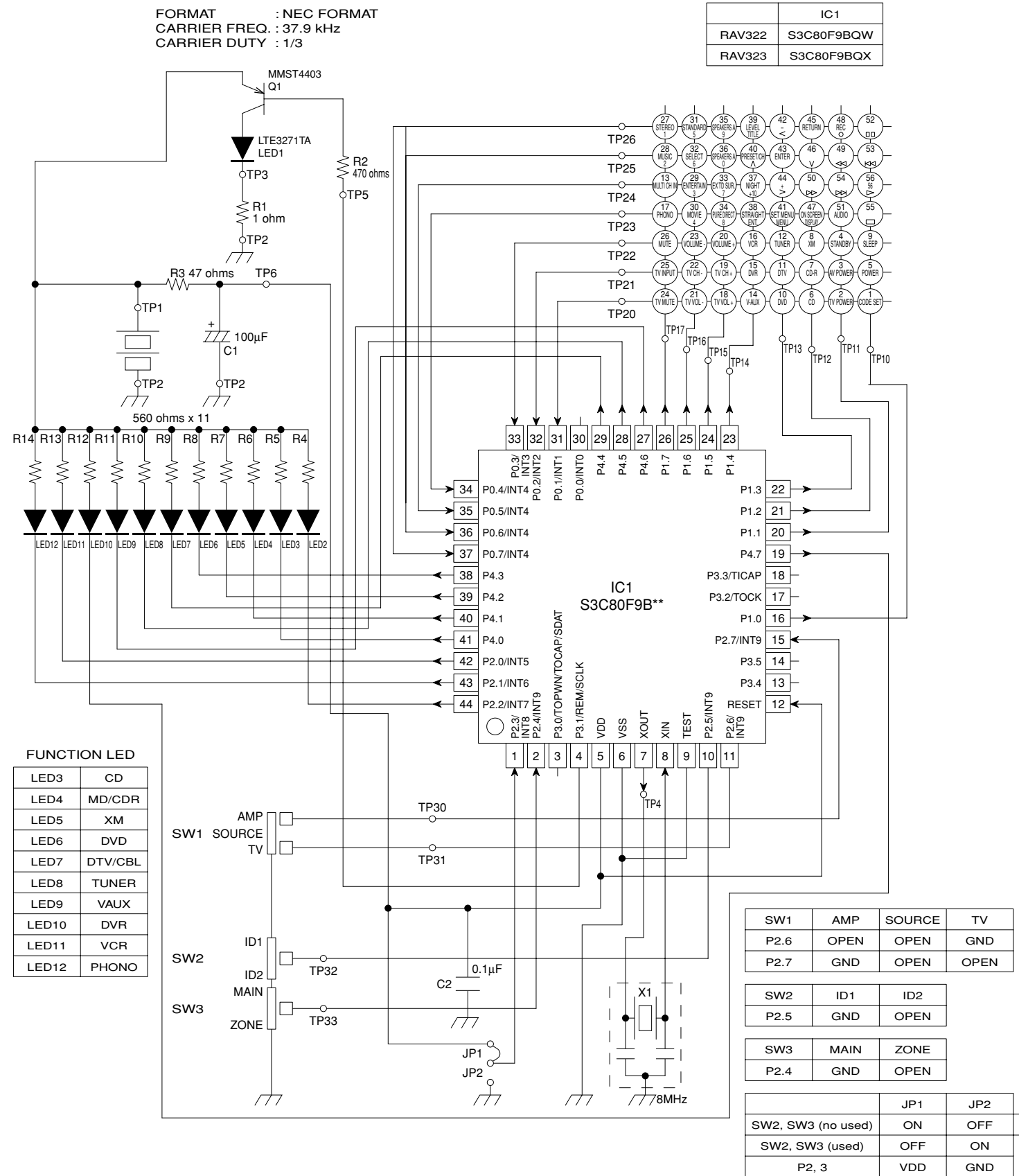


Ref. No.	Part No.	Description	Remarks	Markets	部品名	Rank	
*	2-1	WG704000	P.C.B. ASS'Y	MAIN	AX459, V459, 5940	JRTA	P C B メイン
*	2-1	WG704100	P.C.B. ASS'Y	MAIN	V459, 5940	UC	P C B メイン
*	2-1	WG704200	P.C.B. ASS'Y	MAIN	V459, 5940	KGEL	P C B メイン
*	2-1	WG705000	P.C.B. ASS'Y	MAIN	5935	U	P C B メイン
*	2-2	WG769400	P.C.B. ASS'Y	YST	5935	U	P C B Y S T
	2-11	VV849300	RADIATION SHEET	19x24			シート/放熱
*	2-20	WG440600	SUPPORT TR-8				サポート/TR-8
	2-103	VK173200	SCREW TRANSISTOR	3x15 SP MFC2			スクリューTR
	2-104	WF002600	PW HEAD B-TIGHT SCREW	3x8 MFZN2W3			PWヘッドBタイトネジ
	2-105	WE774800	BIND HEAD P-TIGHT SCREW	3x8 MFZN2W3			バインドPタイトネジ
	2-106	WE774300	BIND HEAD B-TIGHT SCREW	3x8 MFZN2W3			バインドBタイトネジ

* New Parts * 新規部品

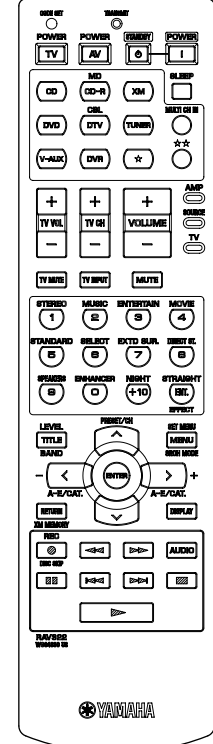
REMOTE CONTROL RAV322: RX-V459 (U, C models), HTR-5940 (U, C models) RAV323: DSP-AX459 (J model)

SCHEMATIC DIAGRAM



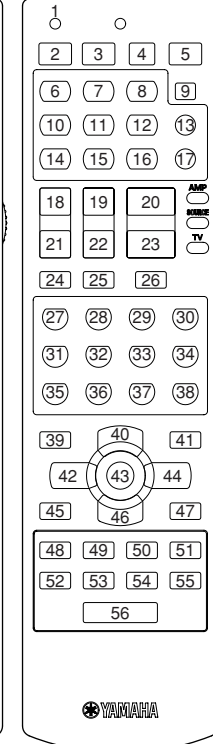
PANELS

RAV322

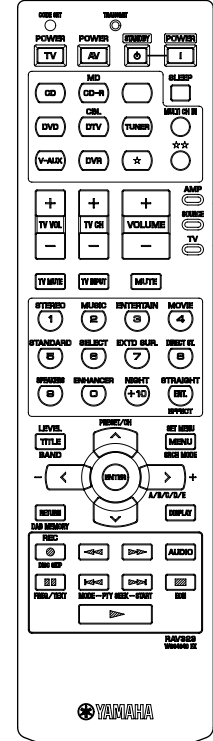


KEY LAYOUT

RAV322



RAV323

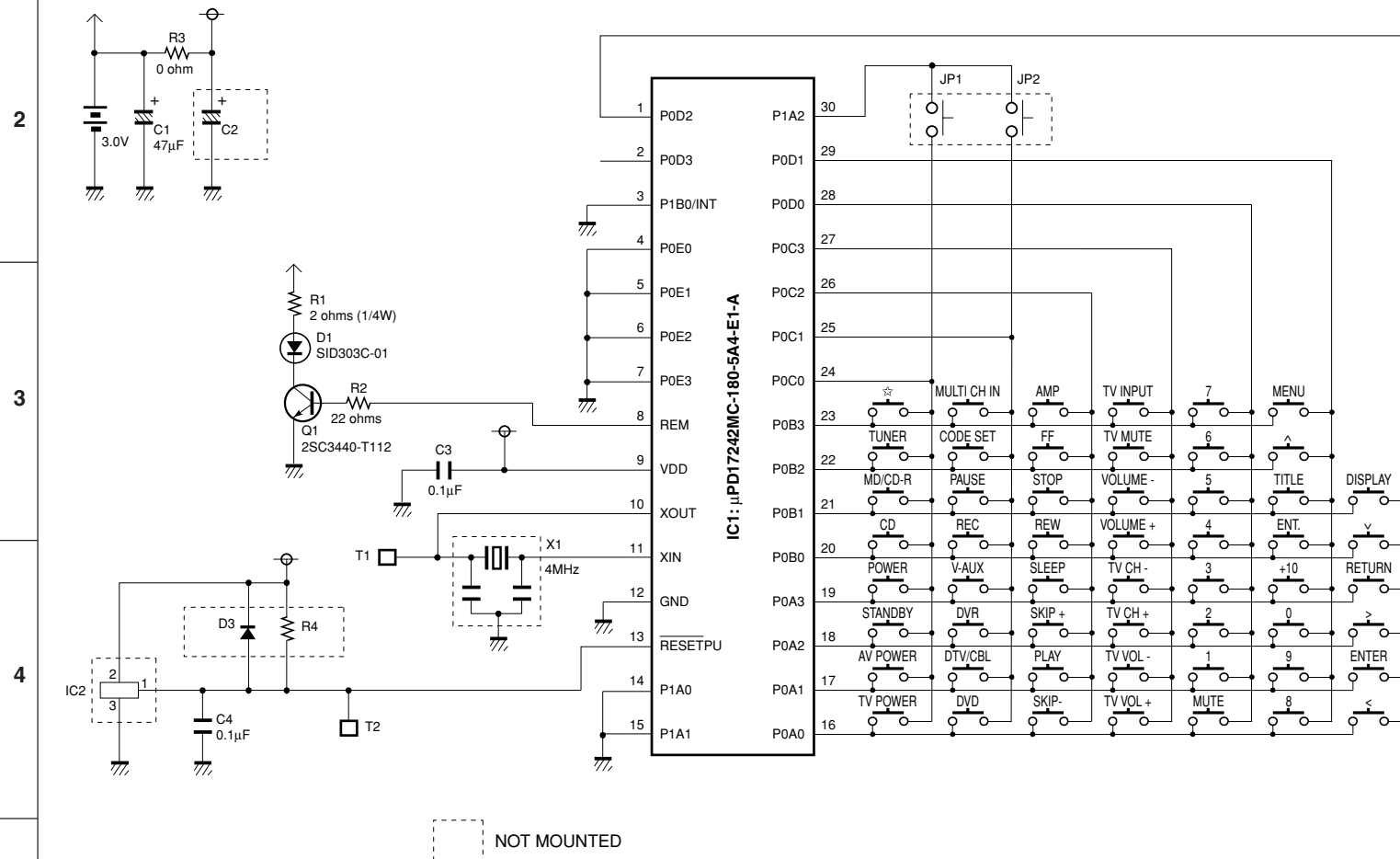


KEY CODE

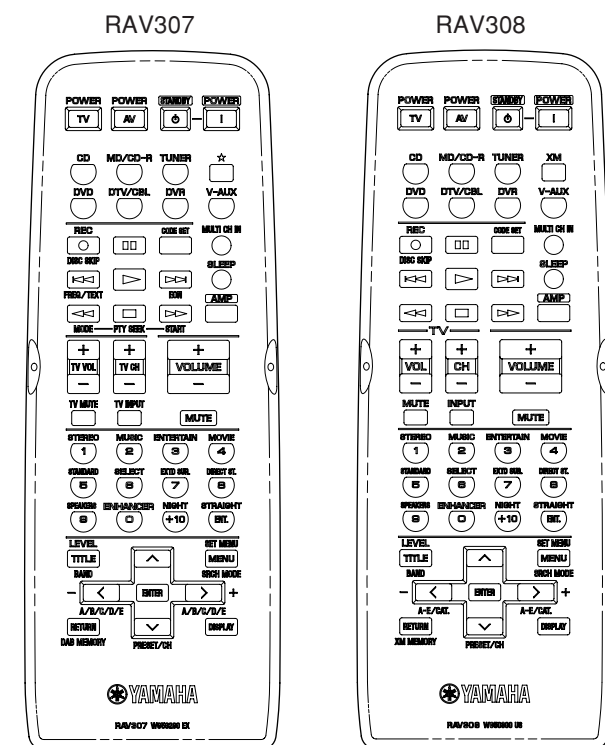
Key No.	Key Label	YAMAHA						UNIVERSAL
		RCV [00001]	DVD [40539]	DVD-R [51544]	D-TUNER [81916]	D-TUNER [81918]	CD [61907]	MD [70888]
1	CODE SET							
2	TV POWER							
3	AV POWER		004-012	048-012				
4	STANDBY	7E-7F						
5	POWER	7E-7E						
6	CD	7A-15						
7	CD-R (MD)	7A-C9						
8	XM	7A-B4						
9	SLEEP	7A-57						
10	DVD	7A-C1						
11	DTV (CBL)	7A-54						
12	TUNER	7A-16						
13	(MULTI CH IN)	7A-87						
14	V-AUX	7A-55						
15	DVR	7A-13						
16	VCR	7A-0F						
17	(PHONO / ☆☆)	7A-14						
18	+ (TV VOL)							
19	+ (TV CH)							
20	+ (VOLUME)	7A-1A						
21	- (TV VOL)							
22	- (TV CH)							
23	- (VOLUME)	7A-1B						
24	TV MUTE							
25	TV INPUT							
26	MUTE	7A-1C						
27	1 (STEREO)	7A-88	004-001	048-001	7A-E5	7A-61	79-11	79-85
28	2 (MUSIC)	7A-89	004-002	048-002	7A-E6	7A-62	79-12	79-86
29	3 (ENTERTAIN)	7A-8A	004-003	048-003	7A-E7	7A-63	79-13	79-87
30	4 (MOVIE)	7A-8B	004-004	048-004	7A-E8	7A-64	79-14	79-88
31	5 (STANDARD)	7A-8D	004-005	048-005	7A-E9	7A-65	79-15	79-89
32	6 (SELECT)	7A-96	004-006	048-006	7A-EA	7A-66	79-16	79-8A
33	7 (EXTD SUR.)	7A-97	004-007	048-007	7A-EB	7A-67	79-17	79-8B
34	8 (PURE DIRECT)	7A-DD	004-008	048-008	7A-EC	7A-68	79-18	79-8C
35	9 (SPEAKERS)	7A-9A	004-009	048-009	7A-B1	7A-69	79-19	79-8D
36	0 (ENHANCER)	7A-94	004-000	048-000	7A-B2	7A-60	79-10	79-8E
37	+10 (NIGHT)	7A-95	004-120				79-1A	79-8F
38	ENT. (STRAIGHT / EFFECT)	7A-56			7A-B3	7A-BF	79-0B	
39	TITLE (LEVEL / BAND)	7A-86	004-113	048-200	7A-AE	7A-70		
40	^ (PRESET / CH)	7A-98	004-088	048-088	7A-10	7A-6A		
41	MENU (SET MENU)	7A-9C	004-084	048-084	7A-AB	7A-6D		
42	< (-)	7A-53	004-090	048-090	7A-AC	7A-6E		
43	ENTER	7A-DE	004-092	048-092	7A-AD	7A-6F		
44	> (+ / A/B/C/D/E)	7A-52	004-091	048-091	7A-12	7A-6C		
45	RETURN	7A-AA	004-131	048-131	7A-AF	7A-71		
46	∇	7A-99	004-089	048-089	7A-11	7A-6B		
47	DISPLAY (ON SCREEN)	7A-C2	004-015	048-015	7A-B0	7A-72	79-0A	79-A5
48	□ (REC / DISC SKIP)		004-127	048-055		7A-4F	7A-AF	
49	◀◀		004-041	048-041		7A-0D	7A-AC	
46	▶▶		004-040	048-040		7A-0C	7A-AD	
51	AUDIO		004-078	048-078				
52	▢ (FREQ/TEXT)		004-048	048-048	7A-4A		7A-09	7A-A9
53	◀ (MODE-PTY)		004-033	048-033	7A-A6		7A-0B	7A-AB
54	▶ (SEEK-START)		004-032	048-032	7A-A7		7A-0A	7A-AE
55	◻ (EON)		004-049	048-049	7A-A5		7A-09	7A-AA
56	▶		004-044	048-044			7A-08	7A-A8

1 ■ **REMOTE CONTROL RAV307: RX-V459 (R, T, K, A, G, E, L models), HTR-5940 (T, K, A, G, E models)**
RAV308: HTR-5935 (U model)

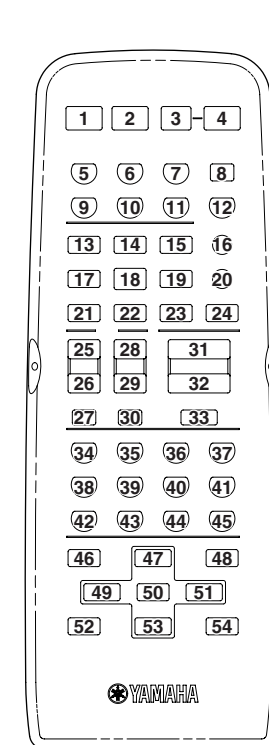
2 • **SCHEMATIC DIAGRAM**



3 • **PANELS**



4 • **KEY LAYOUT**



5 • **KEY CODE**

Key No.	Function	CODE							
		AMP	CD	MD	CD-R	TUNER	XM	DVD	PORTABLE
1	TV POWER	-	-	-	-	-	-	-	-
2	AV POWER	-	-	-	7F-80	-	-	7C-80	7F01-00FF
3	STANDBY	7E-7F	-	-	-	-	-	-	-
4	POWER	7E-7E	-	-	-	-	-	-	-
5	CD	7A-15	-	-	-	-	-	-	-
6	MD/CD-R	7A-C9	-	-	-	-	-	-	-
7	TUNER	7A-16	-	-	-	-	-	-	-
8	☆	7A-B4	-	-	-	-	-	-	-
9	DVD	7A-C1	-	-	-	-	-	-	-
10	DTV/CBL	7A-54	-	-	-	-	-	-	-
11	DVR	7A-13	-	-	-	-	-	-	-
12	V-AUX	7A-55	-	-	-	-	-	-	-
13	REC, DISC SKIP	-	7A-4F	79-AF	-	-	-	7C-8B	7F01-16E9
14	PAUSE	-	7A-09	79-A9	7F-83	-	-	7C-83	7F01-1AE5
15	CODE SET	-	-	-	-	-	-	-	-
16	MULTI CH IN	7A-87	-	-	-	-	-	-	-
17	SKIP, FREQ. TEXT	-	7A-0B	79-AB	7F-86	7A-A4	-	7C-B9	7F01-1BE4
18	PLAY	-	7A-08	79-A8	7F-82	-	-	7C-82	7F01-1EE1
19	SKIP +, EON	-	7A-0A	79-AE	7F-87	7A-A5	-	7C-BA	7F01-1CE3
20	SLEEP	7A-57	-	-	-	-	-	-	-
21	REW, MODE	-	7A-0D	79-AC	7F-88	7A-A6	-	7C-86	7F01-17E8
22	STOP, PTY SEEK	-	7A-09	79-AA	7F-84	-	-	7C-85	7F01-1DE2
23	FF, START	-	7A-0C	79-AD	7F-89	7A-A7	-	7C-87	7F01-18E7
24	AMP	-	-	-	-	-	-	-	-
25	TV VOL +	-	-	-	-	-	-	-	-
26	TV CH +	-	-	-	-	-	-	-	-
27	VOLUME +	-	-	-	-	-	-	-	-
28	TV VOL -	-	-	-	-	-	-	-	-
29	TV CH -	-	-	-	-	-	-	-	-
30	VOLUME -	-	-	-	-	-	-	-	-
31	TV MUTE	7A-1A	-	-	-	-	-	-	-
32	TV INPUT	7A-1B	-	-	-	-	-	-	-
33	MUTE	7A-1C	-	-	-	-	-	-	-
34	1, STEREO	7A-88	79-11	79-85	7F-91	7A-E5	7A-61	7C-94	7F01-01FE
35	2, MUSIC	7A-89	79-12	79-86	7F-92	7A-E6	7A-62	7C-95	7F01-02FD
36	3, ENTERTAIN	7A-8A	79-13	79-87	7F-93	7A-E7	7A-63	7C-96	7F01-03FC
37	4, MOVIE	7A-8B	79-14	79-88	7F-94	7A-E8	7A-64	7C-97	7F01-04FB
38	5, STANDARD	7A-8D	79-15	79-89	7F-95	7A-E9	7A-65	7C-98	7F01-05FA
39	6, SELECT	7A-96	79-16	79-8A	7F-96	7A-EA	7A-66	7C-99	7F01-06F9
40	7, EXT D SUR.	7A-97	79-17	79-8B	7F-97	7A-EB	7A-67	7C-9A	7F01-07F8
41	8, DIRECT ST.	7A-DD	79-18	79-8C	7F-98	7A-EC	7A-68	7C-9B	7F01-08F7
42	9, SPEAKERS	7A-9A	79-19	79-8D	7F-99	7A-B1	7A-69	7C-9C	7F01-09F6
43	0, ENHANCER	7A-94	79-10	79-8E	7F-90	7A-B2	7A-60	7C-93	7F01-0AF5
44	+10, NIGHT	7A-95	79-1A	79-8F	7F-9A	-	-	7C-9D	7F01-0BF4
45	ENT., STRAIGHT	7A-56	79-0B	-	7F-8A	7A-B3	7A-BF	7C-9E	7F01-0CF3
46	TITLE, LEVEL, BAND	7A-86	-	-	-	7A-AE	7A-70	7C-B1	7F01-0DF2
47	^	7A-98	-	-	-	7A-10	7A-6A	7C-B4	7F01-0EF1
48	MENU, SET MENU, SRCH MODE	7A-9C	-	-	-	7A-AB	7A-6D	7C-B2	7F01-0FF0
49	<, -, A/B/C/D/E	7A-53	-	-	-	7A-AC	7A-6E	7C-B5	7F01-10EF
50	ENTER	7A-DE	-	-	-	7A-AD	7A-6F	7C-B8	7F01-11EE
51	>, +, A/B/C/D/E	7A-52	-	-	-	7A-12	7A-6C	7C-B6	7F01-12ED
52	RETURN, DAB MEMORY	7A-AA	-	-	-	7A-AF	7A-71	7C-B7	7F01-13EC
53	V, PRESET/CH	7A-99	-	-	-	7A-11	7A-6B	7C-B3	7F01-14EB
54	DISPLAY	7A-C2	79-0A	79-A5	7F-9E	7A-B0	7A-72	7C-A6	7F01-15EA

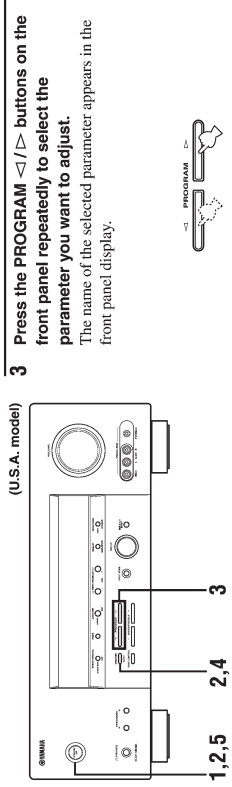
7

ADVANCED SETUP

This unit has additional menus that are displayed in the front panel display. The advanced setup menu offers additional operations to adjust and customize the way this unit operates. Change the initial settings (indicated in bold under each parameter) to reflect the needs of your listening environment.

Notes

- The settings you make are reflected next time you turn on this unit by pressing STANDBY/ON on the front panel (or POWER on the remote control).
- Only STANDBY/ON, STRAIGHT (EFFECT) and the PROGRAM </> buttons are effective while you are using the advanced setup menu.
- All the other operations cannot be made while you are using the advanced setup menu.
- The advanced setup menu is only available in the front panel display.



- 1 Press STANDBY/ON on the front panel to set this unit to the standby mode.



- 2 Press and hold STRAIGHT (EFFECT) on the front panel and then press STANDBY/ON to turn on this unit.

This unit turns on, and the advanced setup menu appears in the front panel display.



- 5 Press STANDBY/ON on the front panel to save the new setting and set this unit to the standby mode.



* The settings you made are reflected next time you turn on this unit.

- **Speaker impedance** SP IMP.
Use this feature to set the speaker impedance of this unit so that it matches that of your speakers.
Choices: **82MIN**, 62MIN
- Select “82MIN” to set the speaker impedance to 8 Ω.
- Select “62MIN” to set the speaker impedance to 6 Ω.

SP IMP.	Speaker	Impedance level
82MIN	Front	If you use one set (A or B), the impedance of each speaker must be 8 Ω or higher.
	Center	If you use two sets (A and B), the impedance of each speaker must be 16 Ω or higher.*
	Surround	The impedance of each speaker must be 8 Ω or higher.
	Surround back	The impedance of each speaker must be 8 Ω or higher.
62MIN	Front	If you use one set (A or B), the impedance of each speaker must be 6 Ω or higher.
	Center	If you use two sets (A and B), the impedance of each speaker must be 12 Ω or higher.
	Surround	The impedance of each speaker must be 6 Ω or higher.
	Surround back	The impedance of each speaker must be 6 Ω or higher.

* The Canada model cannot use two separate speaker systems (A and B) simultaneously when “SP IMP.” is set to “82MIN”.

- **Factory presets** PRESET
Use this feature to reset all the parameters of this unit to the initial factory settings.
Choices: **CANCEL**, RESET
- Select “CANCEL” not to reset any parameters of this unit.
- Select “RESET” to reset the parameters of this unit.

Notes

- This setting completely resets all the parameters of this unit including the “SET MENU” parameters. However, the advanced setup menu parameters will not be initialized.
- The initial factory settings are activated next time you turn on this unit.

ADVANCED SETUP

- **Remote control AMP ID** REMOTE AMP
Use this feature to set the AMP ID of this unit for remote control recognition.
Choices: **ID1**, ID2
- Select “ID1” when the remote control AMP ID library code is set to “00001”.
- Select “ID2” when the remote control AMP ID library code is set to “00002”.

Note

You need to set the corresponding remote control AMP library code for the remote control.

- **Remote control TUNER ID** REMOTE TUN
Use this feature to set the TUNER ID of this unit for remote control recognition.
Choices: **ID1**, ID2

- Select “ID1” when the remote control TUNER ID library code is set to “81916”.
- Select “ID2” when the remote control TUNER ID library code is set to “81917”.

Note

You need to set the corresponding remote control TUNER library code for the remote control.

- **Remote control XM ID** REMOTE XM (U.S.A. model only)

Use this feature to set the XM ID of this unit for remote control recognition.

- Select “ID1” when the remote control XM ID library code is set to “81918”.
- Select “ID2” when the remote control XM ID library code is set to “81919”.

Note

You need to set the corresponding remote control XM library code for the remote control.

- **Tuner frequency step** TU (Asia and General models only)

Use this feature to set the tuner frequency step according to the frequency spacing in your area.

- Choices: **AM10/FM100**, AM9/FM50
- Select “AM10/FM100” for North, Central and South America.
- Select “AM9/FM50” for all other areas.

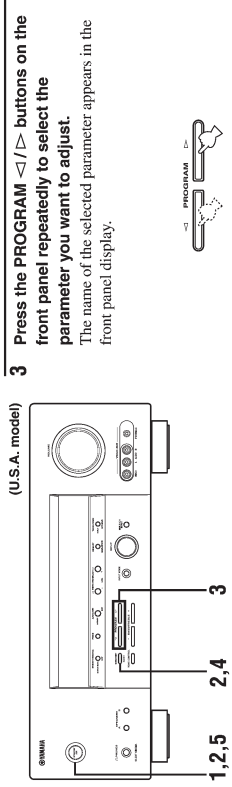
ADVANCED OPERATION

ADVANCED SETUP

This unit has additional menus that are displayed in the front panel display. The advanced setup menu offers additional operations to adjust and customize the way this unit operates. Change the initial settings (indicated in bold under each parameter) to reflect the needs of your listening environment.

Notes

- The settings you make are reflected next time you turn on this unit by pressing STANDBY/ON on the front panel (or POWER on the remote control).
- Only STANDBY/ON, STRAIGHT (EFFECT) and the PROGRAM </> buttons are effective while you are using the advanced setup menu.
- All the other operations cannot be made while you are using the advanced setup menu.
- The advanced setup menu is only available in the front panel display.



- 1 Press STANDBY/ON on the front panel to set this unit to the standby mode.



- 4 Press STRAIGHT (EFFECT) on the front panel repeatedly to change the selected parameter setting.



- 5 Press STANDBY/ON on the front panel to save the new setting and set this unit to the standby mode.



* The settings you made are reflected next time you turn on this unit.

本機の設定を変更する (ADVANCED SETUP)

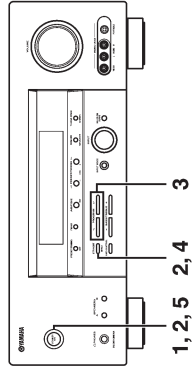
ADVANCED SETUP により、本機の設定を初期設定に戻したり、リモコンIDを変更することができます。

ご注意

- ADVANCED SETUP の操作をしているあいだは、本機から音が出なくなりません。
- ADVANCED SETUP の操作をはじめると、本体の STANDBY/ON スイッチ、STRAIGHT / EFFECT キー、PROGRAM </> キー以外は無効になります。

ADVANCED SETUP の操作手順

本体フロントパネルで操作します。



- 1 STANDBY/ON スイッチを押して、本機の電源をスタンバイにする。



- 2 STRAIGHT / EFFECT キーを押しながら、もう一度 STANDBY/ON スイッチを押す。

本機の電源がオンになり、フロントパネルディスプレイに ADVANCED SETUP のメニューが表示されます。



- 3 PROGRAM </> キーを押して、設定したいメニューを選ぶ。

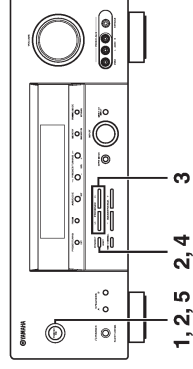
詳しくは右記の「ADVANCED SETUP のメニューと項目」をご覧ください。



視聴空間をより細かく設定する (セリトメニュー)

変更したセットメニューの設定や音場プログラム/パラメーター、登録 (プリセット) された FM / AM 放送局などをすべて初期設定に戻すことができます。

本体フロントパネルで操作します。



- 1 本機の電源をスタンバイにする。



- 2 STRAIGHT / EFFECT キーを押しながら、STANDBY/ON スイッチを押す。

本機の電源がオンになり、フロントパネルディスプレイに ADVANCED SETUP のメニューが表示されます。



を押しながら

すべての設定を初期設定に戻す

- **REMOTE AMP** (アンプ用リモコン ID)

本体のアンプ用リモコンIDをリモコンのアンプライブラリーコードの設定に合わせて切り替えます。

選択項目： ID1, ID2
初期設定： ID1

ID1：アンプライブラリーコードが「00001」に設定されているときに選びます。

ID2：アンプライブラリーコードが「00002」に設定されているときに選びます。

ご注意

リモコンのライブラリーコードの設定もあわせてご確認ください。詳しくは、「ライブラリーコードを変更する」をご覧ください。

すべての設定を初期設定に戻す

変更したセットメニューの設定や音場プログラム/パラメーター、登録 (プリセット) された FM / AM 放送局などをすべて初期設定に戻すことができます。

- 3 PROGRAM </> キーを押して、PRESET を選ぶ。



- 4 STRAIGHT / EFFECT キーを押して、「PRESET - CANCEL」または「PRESET - RESET」を選ぶ。



CANCEL：初期設定に戻しません。
RESET：すべての設定を初期設定に戻します。

- 5 STANDBY/ON スイッチを押す。



「CANCEL」を選んだ場合は初期設定に戻らずに、本機の電源はそのままスタンバイになります。「RESET」を選んだ場合は、すべての設定が初期設定に戻り、本機の電源はスタンバイになりません。

REPLACEMENT PARTS LIST FOR CARBON RESISTORS

Value	1/4W Type Part No.	1/6W Type Part No.	Value	1/4W Type Part No.	1/6W Type Part No.
1.0 Ω	HJ35 3100	HF85 3100	10 kΩ	HF45 7100	HF45 7100
1.8 Ω	HJ35 3180	*	11 kΩ	HF45 7110	HF45 7110
2.2 Ω	HJ35 3220	HF85 3220	12 kΩ	HJ35 7120	HF85 7120
3.3 Ω	HJ35 3330	HF85 3330	13 kΩ	HF45 7130	HF45 7130
4.7 Ω	HJ35 3470	HF85 3470	15 kΩ	HF45 7150	HF45 7150
5.6 Ω	HJ35 3560	HF85 3560	18 kΩ	HF45 7180	HF45 7180
10 Ω	HF45 4100	HF45 4100	22 kΩ	HF45 7220	HF45 7220
15 Ω	HJ35 4150	HF85 4150	24 kΩ	HF45 7240	HF45 7240
22 Ω	HF45 4220	HF45 4220	27 kΩ	HJ35 7270	HF85 7270
27 Ω	HJ35 4270	HF85 4270	30 kΩ	HF45 7300	HF45 7300
33 Ω	HF45 4330	HF45 4330	33 kΩ	HF45 7330	HF45 7330
39 Ω	HJ35 4470	HF85 4390	36 kΩ	HF45 7360	HF45 7360
47 Ω	HF45 4470	HF45 4470	39 kΩ	HF45 7390	HF45 7390
56 Ω	HF45 4560	HF45 4560	47 kΩ	HF45 7470	HF45 7470
68 Ω	HF45 4680	HF45 4680	51 kΩ	HF45 7510	HF45 7510
75 Ω	HF45 4750	HF45 4750	56 kΩ	HF45 7560	HF45 7560
82 Ω	HF45 4820	HF45 4820	62 kΩ	HF45 7620	HF45 7620
91 Ω	HF45 4910	HF45 4910	68 kΩ	HF45 7680	HF45 7680
100 Ω	HF45 5100	HF45 5100	82 kΩ	HF45 7820	HF45 7820
110 Ω	HJ35 5110	HF85 5110	91 kΩ	HF45 7910	HF45 7910
120 Ω	HF45 5120	HF45 5120	100 kΩ	HF45 8100	HF45 8100
150 Ω	HF45 5150	HF45 5150	110 kΩ	HF45 8110	HF45 8110
160 Ω	HJ35 5160	*	120 kΩ	HF45 8120	HF45 8120
180 Ω	HF45 5180	HF45 5180	150 kΩ	HF45 8150	HF45 8150
200 Ω	HF45 5200	HF45 5200	180 kΩ	HF45 8180	HF45 8180
220 Ω	HF45 5220	HF45 5220	220 kΩ	HJ35 8220	HF85 8220
270 Ω	HF45 5270	HF45 5270	270 kΩ	HF45 8270	HF45 8270
330 Ω	HF45 5330	HF45 5330	300 kΩ	HF45 8300	HF45 8300
390 Ω	HF45 5390	HF45 5390	330 kΩ	HF45 8330	HF45 8330
430 Ω	HF45 5430	HF45 5430	390 kΩ	HJ35 8390	HF85 8390
470 Ω	HF45 5470	HF45 5470	470 kΩ	HF45 8470	HF45 8470
510 Ω	HF45 5510	HF45 5510	560 kΩ	HJ35 8560	HF85 8560
560 Ω	HF45 5560	HF45 5560	680 kΩ	HJ35 8680	HF85 8680
680 Ω	HF45 5680	HF45 5680	820 kΩ	HJ35 8820	HF85 8820
820 Ω	HF45 5820	HF45 5820	1.0 MΩ	HF45 9100	HF45 9100
910 Ω	HF45 5910	HF45 5910	1.2 MΩ	HJ35 9120	*
1.0 kΩ	HF45 6100	HF45 6100	1.5 MΩ	HJ35 9150	HF85 9150
1.2 kΩ	HF45 6120	HF45 6120	1.8 MΩ	HJ35 9180	HF85 9180
1.5 kΩ	HF45 6150	HF45 6150	2.2 MΩ	HJ35 9220	HF85 9220
1.8 kΩ	HF45 6180	HF45 6180	3.3 MΩ	HJ35 9330	HF85 9330
2.0 kΩ	HJ35 6200	HF85 6200	3.9 MΩ	HJ35 9390	*
2.2 kΩ	HF45 6220	HF45 6220	4.7 MΩ	HJ35 9470	HF85 9470
2.4 kΩ	HJ35 6240	HF85 6240			
2.7 kΩ	HF45 6270	HF45 6270			
3.0 kΩ	HF45 6300	HF45 6300			
3.3 kΩ	HF45 6330	HF45 6330			
3.6 kΩ	HJ35 6360	HF85 6360			
3.9 kΩ	HF45 6390	HF45 6390			
4.7 kΩ	HF45 6470	HF45 6470			
5.1 kΩ	HF45 6510	HF45 6510			
5.6 kΩ	HF45 6560	HF45 6560			
6.8 kΩ	HF45 6680	HF45 6680			
8.2 kΩ	HF45 6820	HF45 6820			
9.1 kΩ	HF45 6910	HF45 6910			

1/4W Type

HJ35 ○○○○
10mm

1/6W Type

HF85 ○○○○
5mm

* : Not available

RX-V459/HTR-5940/DSP-AX459 HTR-5935

